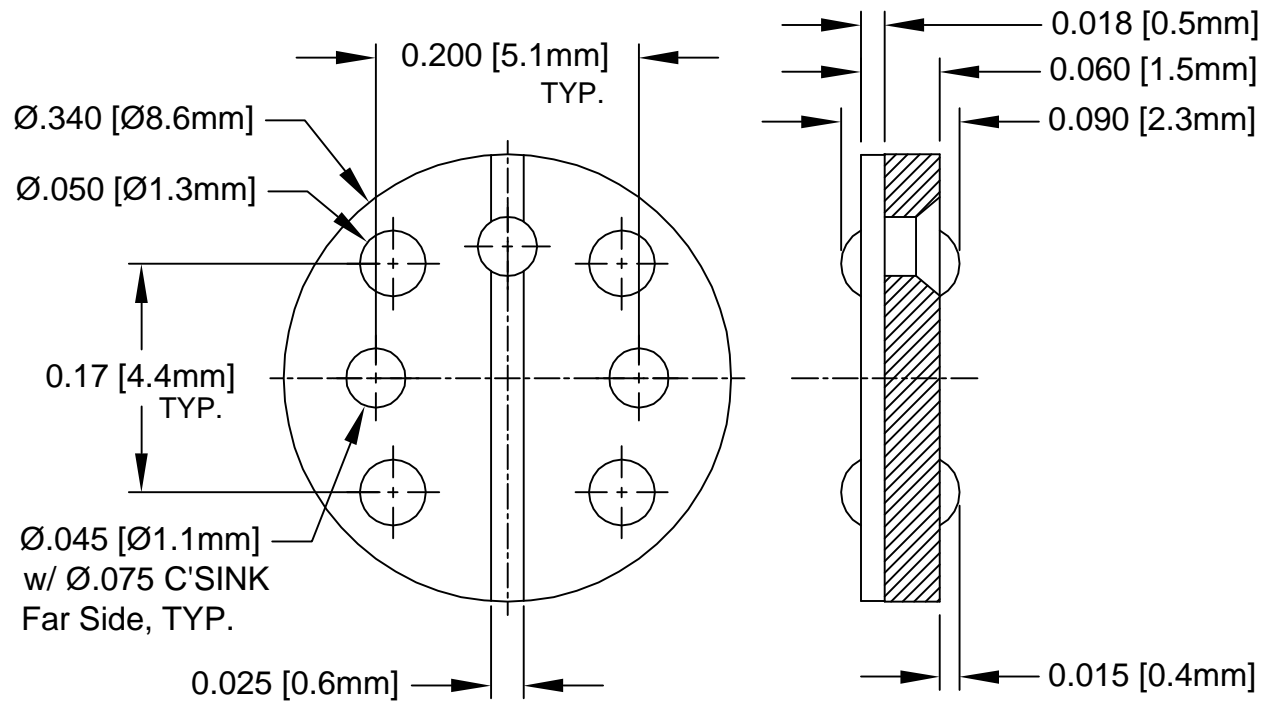



REV.	DESCRIPTION	DATE	APPROVED
B	Engineering Update w/o Changes	02/23/04	M. C.



- MATERIAL: NYLON 6/6, 94V-2, WHITE. BIVAR MATERIAL CODE 04-WE.  
BASF ULTRAMID NYLON 6/6 A3K WHITE.
- GENERAL SPECIFICATIONS: BIVAR MOLDED COMPONENT SPECIFICATION BV00-E101.

STANDARD TOLERANCE (UNLESS OTHERWISE SPECIFIED)		 4 THOMAS, IRVINE, CA. 92618 TEL: (949) 951-8808 FAX: (949) 951-3974	
DECIMALS	ANGULAR	TITLE: PERM-O-PAD TO-5 AND IC MOUNT PART NO: 517-095 REVISION: B	
.X $\pm .1$	$X^\circ \pm 1^\circ$		
.XX $\pm .01$			
.XXX $\pm .005$		DESIGNED: <b>Shane Irving</b>	DATE: <b>01/23/02</b>
CHECKED: <b>M. Chen</b>	DATE: <b>01/23/02</b>	CAGE CODE : 32559	SHEET # 1 OF 1
CAD GENERATED DOCUMENT, DO NOT MEASURE DRAWING.			