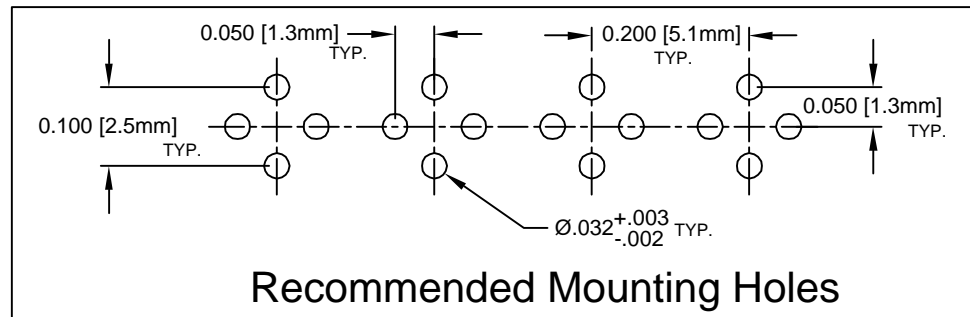
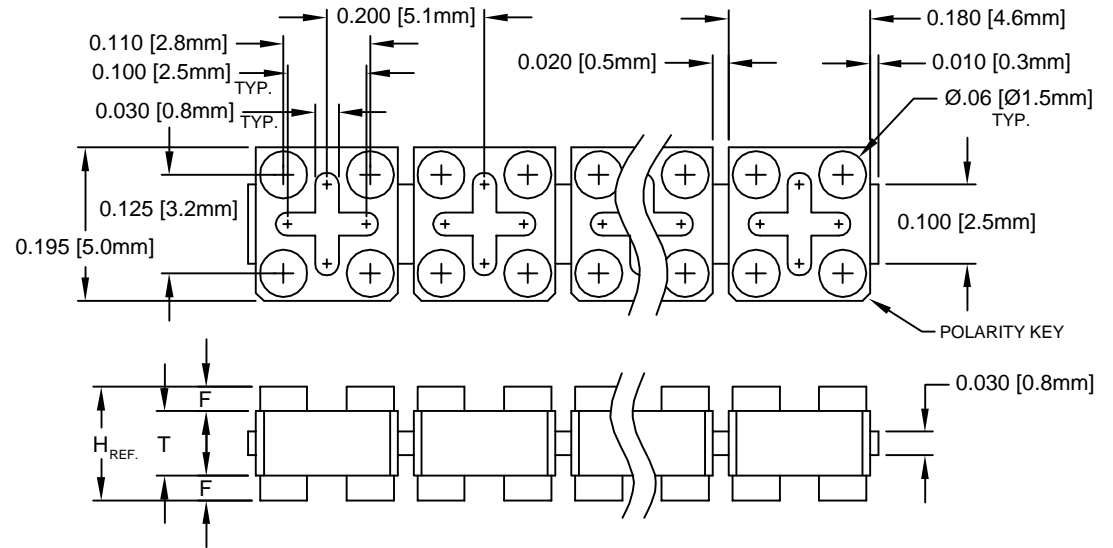




| REV. | DESCRIPTION                    | DATE     | APPROVED |
|------|--------------------------------|----------|----------|
| C    | Engineering Update w/o Changes | 03/01/04 | M. C.    |
|      |                                |          |          |
|      |                                |          |          |
|      |                                |          |          |

| PART NO.                  | H          | T          | F          |
|---------------------------|------------|------------|------------|
| T100 Series ( T= 0.040" ) |            |            |            |
| T-100-060                 | .060 (1.5) | .040 (1.0) | .010 (.25) |
| T-100-070                 | .070 (1.8) | .040 (1.0) | .015 (.38) |
| T-100-080                 | .080 (2.0) | .040 (1.0) | .020 (.51) |
| T-100-090                 | .090 (2.3) | .040 (1.0) | .025 (.64) |
| T-100-100                 | .100 (2.5) | .040 (1.0) | .030 (.76) |
| T-100-110                 | .110 (2.8) | .040 (1.0) | .035 (.89) |
| T-100-120                 | .120 (3.0) | .040 (1.0) | .040 (1.0) |
| T-100-130                 | .130 (3.3) | .040 (1.0) | .045 (1.1) |
| T-100-140                 | .140 (3.6) | .040 (1.0) | .050 (1.3) |
| T-100-150                 | .150 (3.8) | .040 (1.0) | .055 (1.4) |
| T-100-160                 | .160 (4.1) | .040 (1.0) | .060 (1.5) |
| T-100-170                 | .170 (4.3) | .040 (1.0) | .065 (1.7) |
| T-100-180                 | .180 (4.6) | .040 (1.0) | .070 (1.8) |
| T-100-190                 | .190 (4.8) | .040 (1.0) | .075 (1.9) |
| T-100-200                 | .200 (5.1) | .040 (1.0) | .080 (2.0) |
| T-100-210                 | .210 (5.3) | .040 (1.0) | .085 (2.2) |

| PART NO.                  | H          | T          | F          |
|---------------------------|------------|------------|------------|
| T101 Series ( T= 0.150" ) |            |            |            |
| T-101-200                 | .200 (5.1) | .150 (3.8) | .025 (.64) |
| T-101-210                 | .210 (5.3) | .150 (3.8) | .030 (.76) |
| T-101-220                 | .220 (5.6) | .150 (3.8) | .035 (.76) |
| T-101-230                 | .230 (5.8) | .150 (3.8) | .040 (1.0) |
| T-101-240                 | .240 (6.1) | .150 (3.8) | .045 (1.1) |
| T-101-250                 | .250 (6.4) | .150 (3.8) | .050 (1.3) |
| T-101-260                 | .260 (6.6) | .150 (3.8) | .055 (1.4) |
| T-101-270                 | .270 (6.9) | .150 (3.8) | .060 (1.5) |
| T-101-280                 | .280 (7.1) | .150 (3.8) | .065 (1.7) |
| T-101-290                 | .290 (7.4) | .150 (3.8) | .070 (1.8) |
| T-101-300                 | .300 (7.6) | .150 (3.8) | .075 (1.9) |
| T-101-310                 | .310 (7.9) | .150 (3.8) | .080 (2.0) |
| T-101-320                 | .320 (8.1) | .150 (3.8) | .085 (2.2) |
| T-101-330                 | .330 (8.4) | .150 (3.8) | .090 (2.3) |
| T-101-340                 | .340 (8.6) | .150 (3.8) | .095 (2.4) |
| T-101-350                 | .350 (8.9) | .150 (3.8) | .100 (2.5) |



2. MATERIAL: NYLON 6/6, 94V-2, NATURAL. BIVAR MATERIAL CODE 03-NL. BASF ULTRAMID NYLON 6/6 A3K NATURAL.
1. GENERAL SPECIFICATIONS: BIVAR MOLDED COMPONENT SPECIFICATION BV00-E101.

|  |                          |  |   |                       |
|--|--------------------------|--|---|-----------------------|
| STANDARD TOLERANCE<br>( UNLESS OTHERWISE SPECIFIED ) |                          | <br><b>BIVAR</b> <sup>®</sup><br>4 THOMAS, IRVINE, CA. 92618<br>TEL: (949) 951-8808 FAX: (949) 951-3974 |   |                       |
| DECIMALS   | ANGULAR                  |  |   |                       |
| .X ± .1  | X° ± 1°                  | <b>TITLE:</b><br>15-STATION LED STRIP-MOUNT<br><b>PART NO:</b><br>T-10X-XXX<br><b>REVISION:</b><br>C   |   |                       |
| .XX ± .01  |                          |  |   |                       |
| .XXX ± .005  |                          |   | <b>CAGE CODE :</b> 32559                        | <b>SHEET #</b> 1 OF 1 |
| DESIGNED:<br><b>David Green</b>                      | DATE:<br><b>10/18/02</b> | <b>DATE:</b><br><b>10/22/02</b>  | CAD GENERATED DOCUMENT, DO NOT MEASURE DRAWING. |                       |