



### Features

- Small size
- Stable breakdown voltage
- High bandwidth
- RoHS compliant\*

### Applications

- Telecom
- Datacom
- Industrial electronics

## G5000 and G6000 Series Overtoltage Protectors

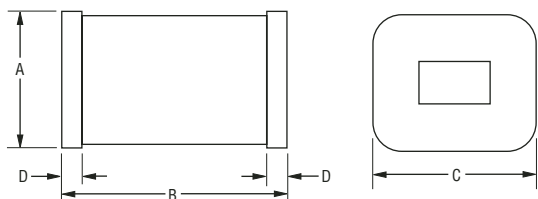
### Electrical Characteristics

Symbol	Parameter	Test conditions	Value	Unit
V <sub>BR</sub>	Maximum end-of-life impulse sparkover voltage	G5000AS 10/1000 μs, 1000 V, 100 A 2/10 μs, 2500 V, 500 A 2/10 μs, 5000 V, 500 A 10/700 μs, 6000 V, 240 A	1600	V
		G5200AS 10/1000 μs, 1000 V, 100 A 2/10 μs, 5000 V, 500 A 10/700 μs, 6000 V, 240 A	850	
		G5500AS 2/10 μs, 800 V, 100 A 2/10 μs, 1500 V, 100 A	650	
		G6000AS 2/10 μs, 6000 V, 500 A	650	
V <sub>DC</sub>	Minimum end-of-life DC breakover voltage	G5000AS R=1 MΩ, 500 V/s	900	V
		G5200AS R=51k Ω, 500 V/s	400	
		G5500AS R=51k Ω, 500 V/s	200	
		G6000AS R=51k Ω, 500 V/s	200	
I <sub>surge</sub>	Maximum surge rating with 8/20 μs waveform	-	2	kA
C <sub>max</sub>	Maximum capacitance (1 MHz)	-	0.3	pF
R <sub>ins</sub>	Minimum insulation resistance	-	10	MΩ

### Thermal Conditions

Symbol	Parameter	Min.	Unit
T <sub>op</sub>	Operating temperature range	-40 to +85	°C
T <sub>stg</sub>	Storage temperature range	-40 to +85	°C

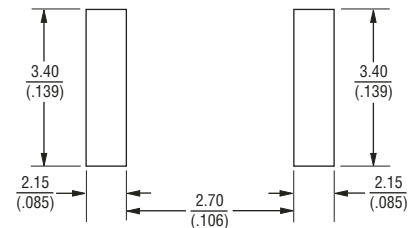
### Product Dimensions



Dim.	Min.	Max.
A	2.40 (.094)	3.00 (.118)
B	4.20 (.165)	4.80 (.189)
C	2.90 (.114)	3.50 (.138)
D	0.60 (.024)	0.70 (.028)

Packaging: 3000 pieces per reel DIMENSIONS:  $\frac{\text{MM}}{\text{(INCHES)}}$

### Recommended Pad Layout



### How to Order

Form Factor \_\_\_\_\_ **G 5200 AS**

G = Gas Discharge Tube

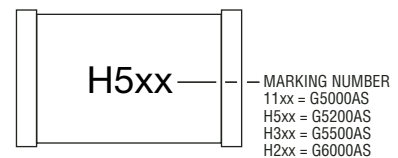
Series \_\_\_\_\_

5000  
5200  
5500  
6000

Rating Form Factor \_\_\_\_\_

AS = 2 kA Rating, Surface Mount

### Typical Part Marking

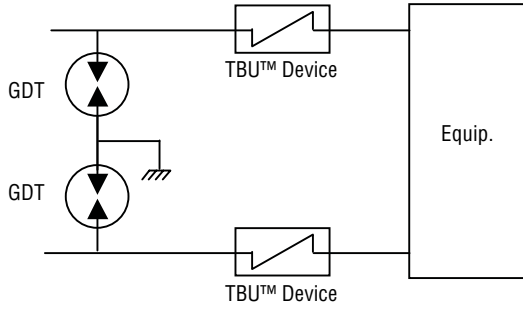


\*RoHS Directive 2002/95/EC Jan 27 2003 including Annex.  
Specifications are subject to change without notice.  
Customers should verify actual device performance in their specific applications

# G5000 and G6000 Series Overvoltage Protectors

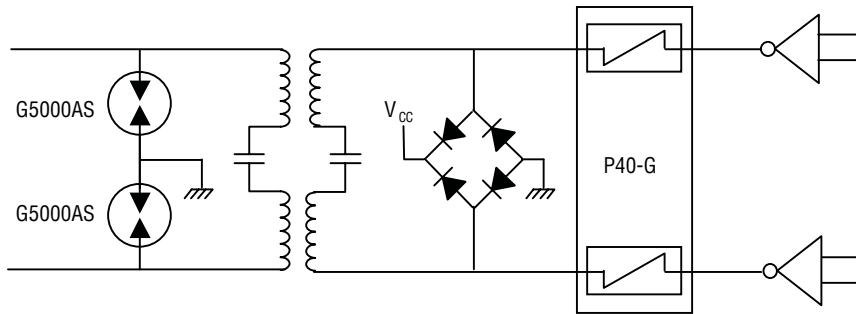
**BOURNS®**

## Typical Applications

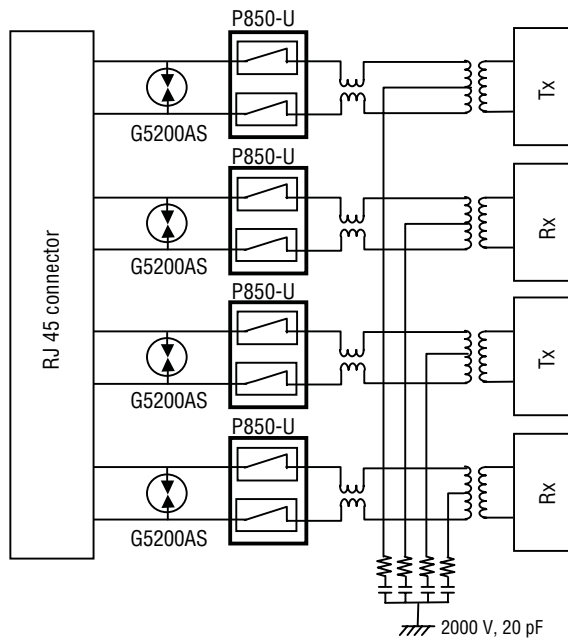


TBU	GDT
C650-xxx	G5500AS
C650-xxx	G5000AS
C850-xxx	G5200AS

Telecom, Industrial and Other General Electronics



ADSL, VDSL and VDSL2



Ethernet

Specifications are subject to change without notice. Customers should verify actual device performance in their specific applications