

BOURNS®

Features

- Formerly J. W. Miller® model
- 0603 size
- Available in E12 series
- High Q up to 35 typ.
- High operating temperature of 125 °C

Applications

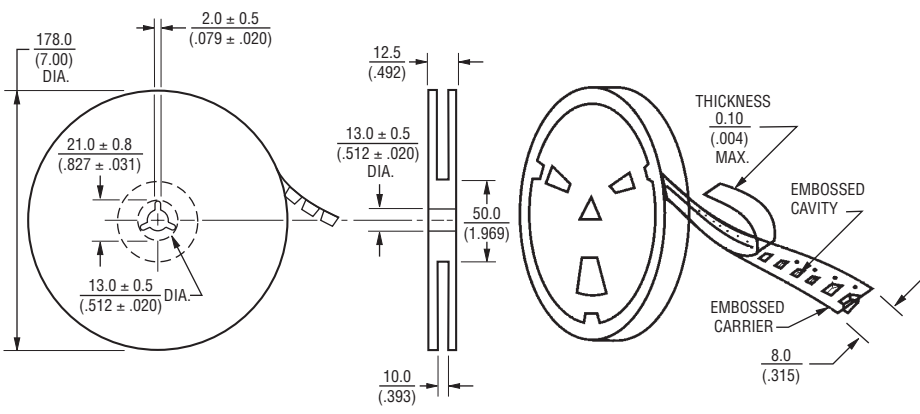
- Mobile phones
- Cellular phones
- CTV, VCR, HIC, FDD

PM0603 Series - High Q Chip Inductors

Electrical Specifications

Bourns Part No.	Inductance		Q Min.	Test Frequency (MHz)		SRF Min. (MHz)	RDC (Ω)	I rms Max. (mA)
	nH	Tol. %		L	Q			
PM0603-2N2-RC	2.2	±15	16	250	250	6000	0.08	700
PM0603-3N9-RC	3.9	±10	16	250	250	6000	0.08	700
PM0603-4N7-RC	4.7	±10	16	250	250	5800	0.10	700
PM0603-6N8J-RC	6.8	±5	25	250	250	5800	0.11	700
PM0603-8N2J-RC	8.2	±5	30	250	250	5000	0.11	700
PM0603-10NJ-RC	10	±5	30	250	250	4800	0.13	700
PM0603-12NJ-RC	12	±5	30	250	250	4000	0.13	700
PM0603-15NJ-RC	15	±5	30	250	250	4000	0.17	700
PM0603-18NJ-RC	18	±5	30	250	250	3100	0.17	700
PM0603-22NJ-RC	22	±5	35	250	250	3000	0.19	700
PM0603-27NJ-RC	27	±5	35	250	250	2800	0.22	600
PM0603-33NJ-RC	33	±5	35	250	250	2300	0.22	600
PM0603-39NJ-RC	39	±5	35	250	250	2200	0.25	600
PM0603-47NJ-RC	47	±5	35	200	250	2100	0.28	600
PM0603-56NJ-RC	56	±5	35	200	250	1900	0.31	600
PM0603-68NJ-RC	68	±5	35	200	250	1700	0.34	600
PM0603-72NJ-RC	72	±5	34	200	250	1700	0.49	400
PM0603-82NJ-RC	82	±5	34	150	250	1700	0.54	400
PM0603-R10J-RC	100	±5	34	150	250	1400	0.71	400
PM0603-R12J-RC	120	±5	32	150	250	1350	0.79	300
PM0603-R15J-RC	150	±5	28	150	150	1300	0.92	280
PM0603-R18J-RC	180	±5	25	100	100	990	1.25	240
PM0603-R22J-RC	220	±5	25	100	100	990	1.90	200
PM0603-R27J-RC	270	±5	25	100	100	990	2.30	170

Packaging Specifications



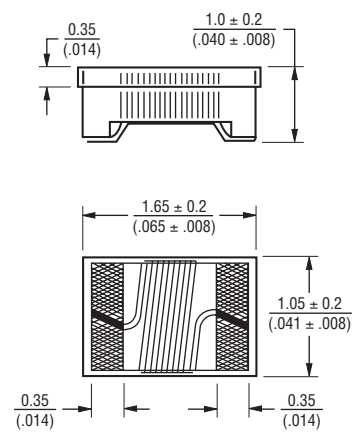
General Specifications

Temperature Rise 20 °C max. at rated current
 Operating Temperature -40 °C to +125 °C
 Storage Temperature -40 °C to +125 °C
 Reflow Soldering .. 230 °C, 50 sec. max.
 Resistance to Soldering Heat 260 °C, 10 seconds

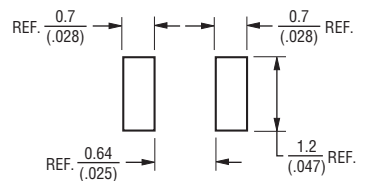
Materials

Core Material Alumina (1CC150707-302291)
 Wire Enamelled Copper (1W1E180)
 Terminal Mo/Mn+Ni+Au
 Encapsulate Epoxy (1EAS-UV300)
 Packaging 3,000 pcs per reel

Product Dimensions



Recommended Layout



DIMENSIONS: $\frac{\text{MM}}{\text{(INCHES)}}$

REV. 05/11

*RoHS Directive 2002/95/EC Jan. 27, 2003 including annex and RoHS Recast 2011/65/EU June 8, 2011. Specifications are subject to change without notice. Customers should verify actual device performance in their specific applications.