

### Features

- Compliant with IEEE802.3ab Draft Standards for 1000 Base-T
- Designed for Long Haul Gigabit Ethernet 10/100/1000 Base-T Full Duplex applications
- Low profile surface mount packaging designed for reflow process (225 ° peak)
- Supports 4 pairs of Category 5 UTP cables

- RoHS compliant\*

### Applications

- LAN
- Ethernet

## PT61022L LAN 10/100/1000 Base-T Transformer Modules

### Electrical Specifications @ 25 °C

Inductance .....	350 µH min.
with 8 mA DC bias @ 100 KHz, 0.2 V	
Leakage Inductance.....	0.50 µH max.
@ 100 KHz, 0.2 V	
Interwinding Capacitance .....	25 pF typ.
@ 100 KHz, 0.2 V	
DC Resistance .....	0.90 Ω max.
Insertion Loss.....	0.3-100 MHz
	-1.1 dB max.
Return Loss (dB min.)	
0.3-30 MHz .....	-18
40 MHz.....	-14.4
50 MHz.....	-13.1
60-80 MHz .....	-12
Cross Talk (dB min.)	
0.3-30 MHz .....	-35
60-100 MHz .....	-28
Common Mode Rejection (dB min.)	
0.3-30 MHz .....	-40
60 MHz.....	-35
80-100 MHz .....	-30
Turns Ratio .....	1 CT:1±5 %
Isolation Hi-Pot.....	1500 VAC 1 mA 1 sec.
Operating Temperature	
.....	0° C to +70 °C

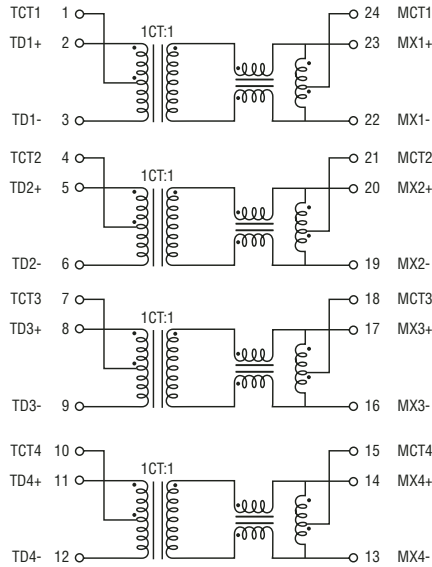
### Packaging Specifications

Tape & Reel ..... 500 pcs./reel

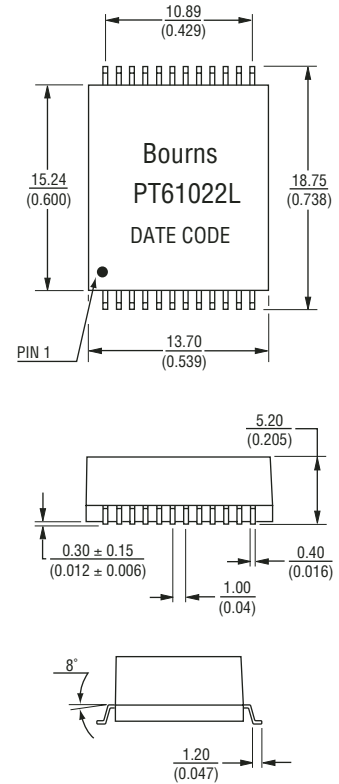
### How To Order

Model \_\_\_\_\_ **PT61022E L**  
 Termination \_\_\_\_\_  
 L = Tin only (RoHS Compliant)

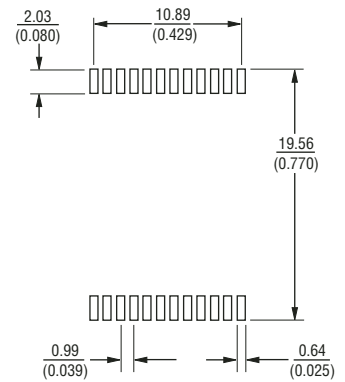
### Electrical Schematic



### Product Dimensions



### Recommended Layout



DIMENSIONS:  $\frac{\text{MM}}{\text{(INCHES)}}$

TOLERANCES:  $\pm \frac{0.25}{(.010)}$

REV. 06/11

\*RoHS Directive 2002/95/EC Jan 27, 2003 including Annex.  
 Specifications are subject to change without notice.  
 Customers should verify actual device performance in their specific applications.