

VDSL Over POTS

ITU-T & GR-1089-CORE Solution

Solution Products



TBU-CA085-500-WH



2020-42T-C2FLF



B1250T

Design Kit



PN-DESIGNKIT-43

Objective

VDSL circuits are sometimes combined with Plain Old Telephone Service (POTS) circuits. This solution protects those communication ports against surge and power contact threats.

Solution

- 2 TBU® High-Speed Protectors:
TBU-CA085-500-WH
- 1 GDT: 2020-42T-C2FLF
- 2 Telefuse™ Telecom Fuses: B1250T

Compliance

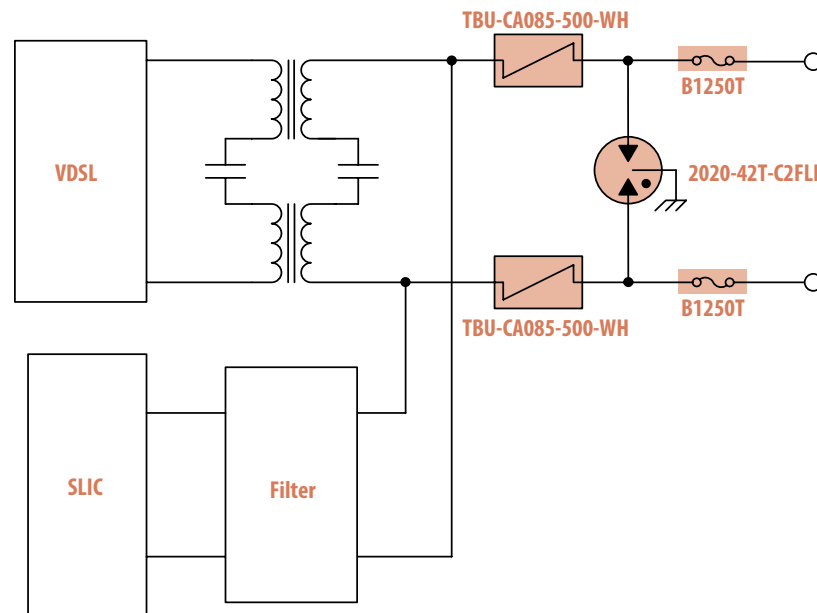
- ITU-T K.20, K.45, K.21 (Enhanced)
 - 6 kV 10/700 μ s Lightning Surge
 - 600 V_{rms} Power Induction
 - 230 V_{rms} Power Contact
- GR-1089-CORE Issue 6

Alternate Recommendations

Variations of this circuit are available depending on specific design constraints; contact your local Bourns technical representative for more information.

Benefit

This solution provides protection to the voice and data circuits without impairing the VDSL 30 MHz signal.



The schematic above illustrates the application protection and does not constitute the complete circuit design. Customers should verify actual device performance in their specific applications.