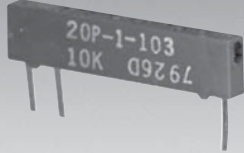


*RoHS COMPLIANT
VERSIONS
AVAILABLE



BOURNS®

Features

- Multiturn / Cermet / Sealed
- Machine insertable SIP design provides extra cost savings
- .080 inch width allows side-by-side spacing on standard 0.100 inch grid
- PC board profile - only 0.185 inches high



Model 20 is currently available, although not recommended for new designs.

20 - 20 mm Rectangular Trimpot® Trimming Potentiometer

Electrical Characteristics

Standard Resistance Range
..... 10 ohms to 2 megohms
(see standard resistance table)

Resistance Tolerance ±10 % std.

Absolute Minimum Resistance
..... 5.0 % or 3 ohms max.
(whichever is greater)

Contact Resistance Variation
..... 1.0 % or 1 ohm max.
(whichever is greater)

Adjustability
Voltage.....±0.01 %
Resistance.....±0.05 %

Resolution Infinite

Insulation Resistance 500 vdc.
100 megohms min.

Dielectric Strength
Sea Level..... 1000 vac
70,000 Feet 350 vac
Effective Travel..... 15 turns nom.

Environmental Characteristics

Power Rating (250 volts max.)
70 °C..... 0.25 watt
150 °C 0 watt

Temperature Range..... -55 °C to +125 °C

Temperature Coefficient
50 Ohms and Above..... ±100 ppm/°C
Below 50 Ohms ±150 ppm/°C

Seal Test..... 85 °C Fluorinert†

Humidity..... MIL-STD-202 Method 103
96 hours
(3 % ΔTR, 20 megohms IR)

Vibration..... 20 G (1 % ΔTR; 1 % ΔVR)

Shock..... 50 G (1 % ΔTR; 1 % ΔVR)

Load Life
..... 1,000 hours, 0.25 watt @ 70 °C
(3 % ΔTR, 3 % or 3 ohms
whichever is greater, CRV)

Rotational Life..... 200 cycles
(3 % ΔTR, 3 % or 3 ohms
whichever is greater, CRV)

Physical Characteristics

Torque 5.0 oz-in. max.

Mechanical Angle Wiper idles

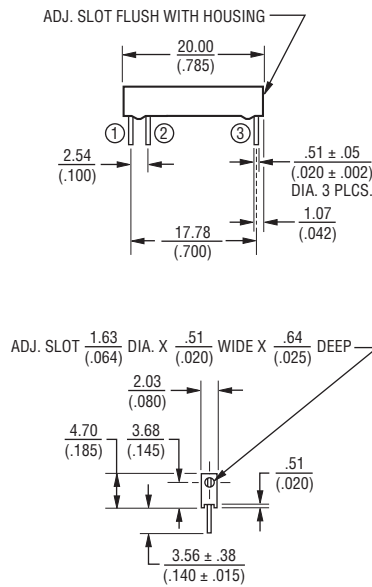
Terminals..... Solderable pins

Weight 0.015 oz.

Marking Manufacturer's
trademark, resistance code,
terminal numbers, date code,
manufacturer's model number
and style

Standard Packaging..... 25 pcs. per tube

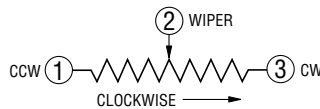
Product Dimensions



*BOURNS ADJUSTMENT TOOL H-91
AVAILABLE FOR THIS MODEL.

DIMENSIONS: $\frac{\text{MM}}{\text{(INCHES)}}$

TOLERANCES: $\frac{0.25}{(.010)}$ EXCEPT WHERE NOTED



Standard Resistance Table

Resistance (Ohms)	Resistance Code
10	100
20	200
50	500
100	101
200	201
500	501
1,000	102
2,000	202
5,000	502
10,000	103
20,000	203
50,000	503
100,000	104
200,000	204
500,000	504
1,000,000	105
2,000,000	205

How To Order

20 P - 1 - 103 LF

Model _____

Style _____

Standard or Modified
Product Indicator _____
-1 = Standard Product

Resistance Code _____

Terminations _____
LF = 100 % Tin-plated (RoHS compliant)
Blank = 90 % Tin / 10 % Lead-plated
(Standard)

Consult factory for other available options.

REV. 10/09

*RoHS Directive 2002/95/EC Jan 27 2003 including Annex.
"Trimpot" is a registered trademark of Bourns, Inc.

Specifications are subject to change without notice.

Customers should verify actual device performance in their specific applications.