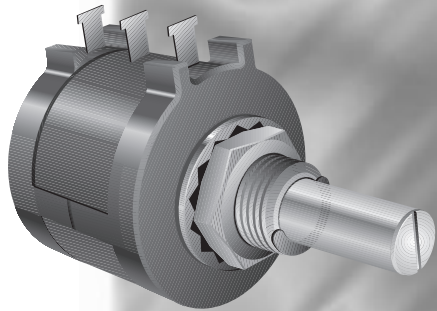


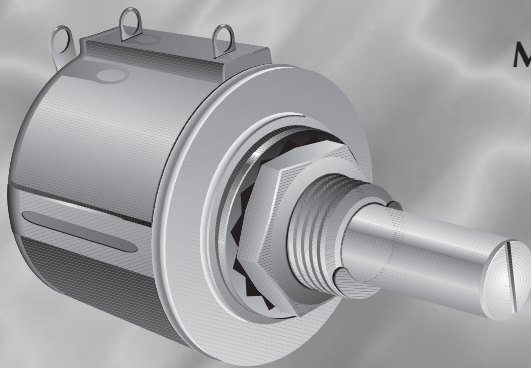
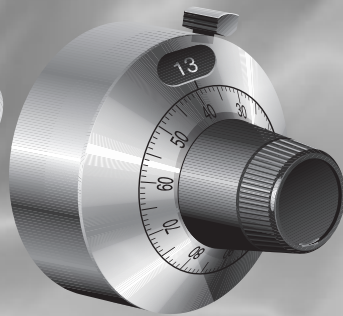
P E R F E C T

O  
U  
P  
L  
E  
S



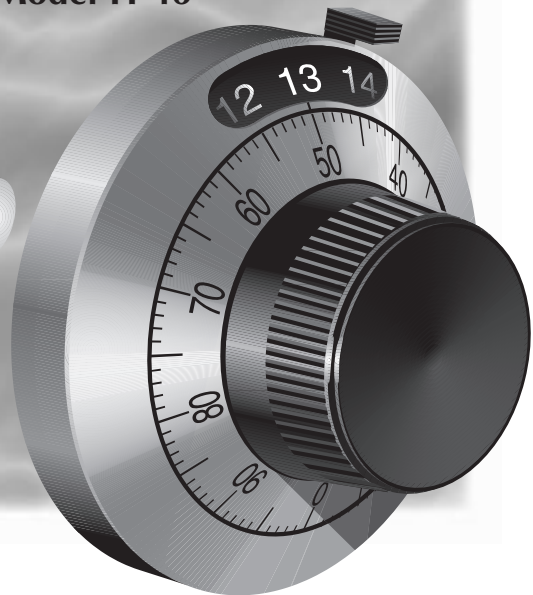
**Model 3590**

**Model H-22**



**Model 3540**

**Model H-46**



# Introducing Two New Turns-Counting Dials



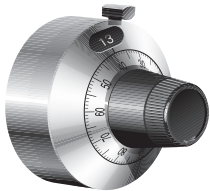
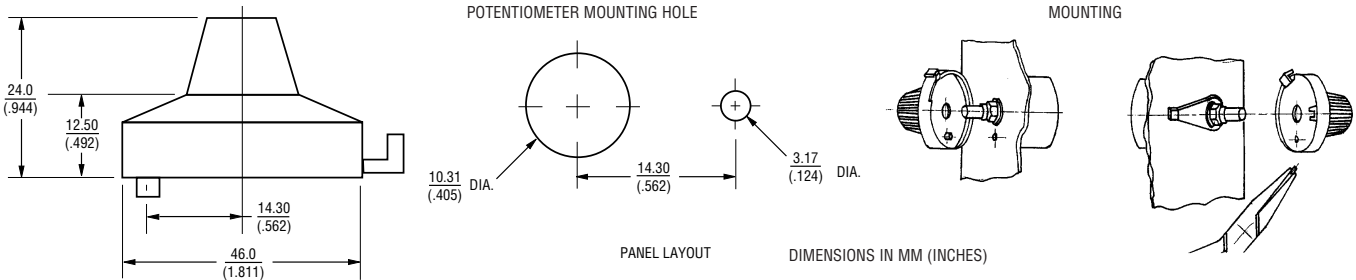
## Model H-46

Part Number	Accepts Shaft Diameter
H-46-6A	1/4" (6.35mm)
H-46-6M	6mm

## Full Metal Precision-Counting Dial

### FEATURES

- Large package size with precision feel
- For use with precision potentiometers or other rotating devices up to 20 turns
- Excellent legibility - black marking on chrome background
- High quality cast and hardchrome housing, rugged construction
- Metal-to-metal setscrew threads
- No backlash - mounted directly to potentiometer shaft
- High force "CLICK-BRAKE"
- Two anti-rotation mounting systems with lug or nut



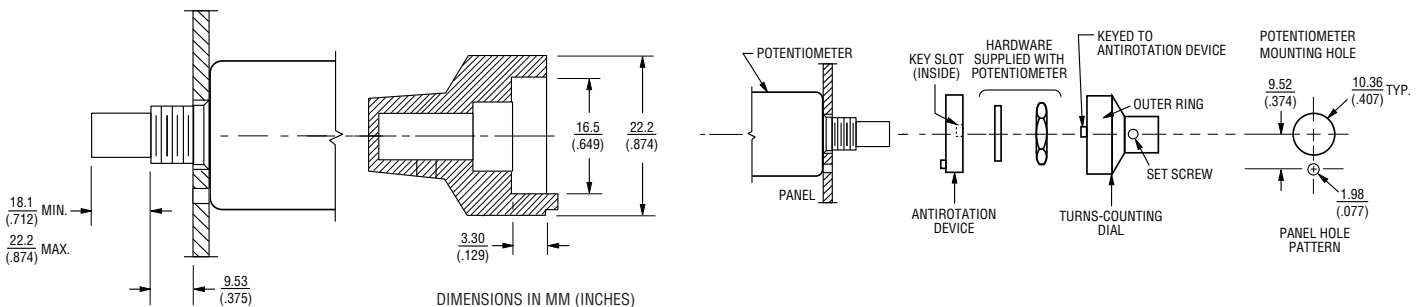
## Model H-22

Part Number	Accepts Shaft Diameter
H-22-6A	1/4" (6.35mm)
H-22-6M	6mm
H-22-3A	1/8" (3.17mm)
H-22-6A-B All Black	1/4" (6.35mm)

## Full Metal Precision-Counting Dial

### FEATURES

- Compact - requires only 7/8" (22.2mm) diameter panel space
- For use with precision potentiometers or other rotating devices up to 15 turns
- Excellent legibility - back marking on chrome background
- High quality cast and hardchrome housing, rugged construction
- Metal-to-metal setscrew threads
- No backlash - mounted directly to potentiometer shaft
- High force "CLICK-BRAKE"



# Turns-Counting Dials Guide

						
<b>Specifications</b>	<b>H-46</b>	<b>H-22</b>	<b>H-506</b>	<b>CT-23</b>	<b>CT-26</b>	<b>H-490</b>
Turns	0-20	0-15	0-15	0-10	0-10	0-30
Readout	Analog	Analog	Analog	Digital	Digital	Analog
Divisions/Turn	100	50	50	500	500	100
Brake	Yes	Yes	Yes	Yes	Yes	Yes
Diameter	46mm	22mm	22mm	27mm	28mm	25mm
Depth	25mm	24mm	25mm	31.5mm	31.5mm	23.1mm
Weight in Grams	73	15	7	34	34	7
Part Numbers/ Shaft Diameter	H-46-6A 1/4"  H-46-6A 6mm	H-22-6A 1/4"  H-22-6A-B 1/4"  H-22-6M 6mm  H-22-3A 1/8"	H-506-1/4 1/4"	CT-23-6A 1/4"  CT-23-6M 6mm	CT-26-6A 1/4"  CT-26-6M 6mm	H-493-2 3.18mm  H-494-2 3.18mm  H-491-3 6.35mm  H-492-3 6.35mm  H-493-3 6.35mm  H-494-3 6.35mm  H-492-2 3.18mm

For detailed specifications, reference the Bourns Product Catalog or [www.bourns.com](http://www.bourns.com)

## Precision Potentiometers

3540S	X	X	X	X	X	X
3541H	X	X	X	X	X	X
3543H	X	X	X	X	X	X
3545S	X	X	X	X	X	X
3590S	X	X	X	X	X	X



## Worldwide Sales Offices

Country	Phone	Fax
<b>Benelux:</b>	+31- 703004333	+31- 703004345
<b>China/Hong Kong:</b>	+86- (0)21 64821250	+86- (0)21 64821249
<b>France:</b>	+33- (0)2 54735151	+33- (0)2 54735156
<b>Germany:</b>	+49- (0)69 80078212	+49- (0)69 80078299
<b>Ireland:</b>	+44- (0)1276 691087	+44- (0)1276 691088
<b>Italy:</b>	+39- (0)2 57502103	+39- (0)2 57502138
<b>Japan:</b>	+81- (0)3 39803313	+81- (0)3 39803329
<b>Singapore:</b>	+65- 3461933	+65- 3461911
<b>South Africa:</b>	+27- (0)11 802 1400	+27- (0)11 802 1429
<b>Switzerland:</b>	+41- (0)41 7685555	+41- (0)41 7685510
<b>Taiwan:</b>	+886- (0)2 25624117	+886- (0)2 25624116
<b>UK:</b>	+44- (0)1276 691087	+44- (0)1276 691088
<b>USA:</b>	+1- (1)909 781 5500	+1- (1)909 781 5006

## Non-Listed European Countries:

+41- 41 7685555      +41- 41 7685510

## Technical Assistance

Region	Phone	Fax
<b>Asia-Pacific</b>	+886- (0)2 25624117	+886- (0)2 25624116
<b>Europe:</b>	+41- 41 7685555	+41- 41 7685510
<b>North America:</b>	+1- (1)909 781-5500	+1- (1)909 781-5700
	+1- (1)801 786-6200	+1- (1)801 786-6203
	+1- (1)435 750-7200	+1- (1)435 750-7253

[www.bourns.com](http://www.bourns.com)

Bourns® products are available through an extensive network of manufacturer's representatives, agents and distributors. To obtain technical applications assistance, a quotation, or to place an order, contact a Bourns representative in your area.



**Leading  
by Design™**