



NP Series Sealed Industrial Pushbutton Switch

Pushbutton
A

Features/Benefits

- IP68 sealed
- 1,000,000 life cycle
- Multiple housing styles
- Capable of up to 5A resistive load
- Wirelead options available
- RoHS compliant

Typical Applications

- Harsh environments
- Off-Road
- Industrial
- Transportation
- Military



Specifications

FUNCTION: SPDT Double Break (Form Z) Momentary
CONTACT ARRANGEMENT: N.O. and N.C.
MOUNTING TYPE: Threaded front or rear mount and slot mount
TORQUE SPEC FOR THREADED BODY: Do not exceed 50 in-lbs (5.65 N-m)

Mechanical

OPERATING LIFE: 1,000,000 cycles
TOTAL TRAVEL: 1.6 ± 0.15 mm
OPERATING POINT 0.9 ± 0.25 mm
OVER TRAVEL: 0.45 min.
OPERATING FORCE: 8N ± 1.5N
VIBRATION: 10-500 Hz 10g Max
SHOCK: 50g 11ms sawtooth wave

Electrical

CONTACT RATING:
Option G - Gold over Silver
10mA/5 VDC (1,000,000 cycles)
Option Q - Silver
1A/32 VDC resistive (100,000 cycles)
5A/32 VDC resistive (25,000 cycles)
3A/32 VDC resistive (25,000 cycles)

Electrical (cont.)

DIELECTRIC STRENGTH: 1000 V AC for 1 min.
INSULATION RESISTANCE: 1 G Ω @ 500 VDC
INITIAL CONTACT RESISTANCE 50 mΩ max (without wire leads)
BOUNCE TIME: <5 ms

Materials

HOUSING: 6061-T6 Aluminum, black or clear anodized
BASE: PBT
CAP: PBT
ACTUATOR: PBT
INTERNAL SEAL: Silicone rubber
TERMINALS: Copper with silver nickel inlay, silver plating
MOVABLE CONTACT: Copper alloy, gold over silver plating
TERMINAL SEAL: Epoxy

Operating Environment

OPERATING TEMPERATURE: -40°C to +85°C
ESD PROTECTION: 15KV min.

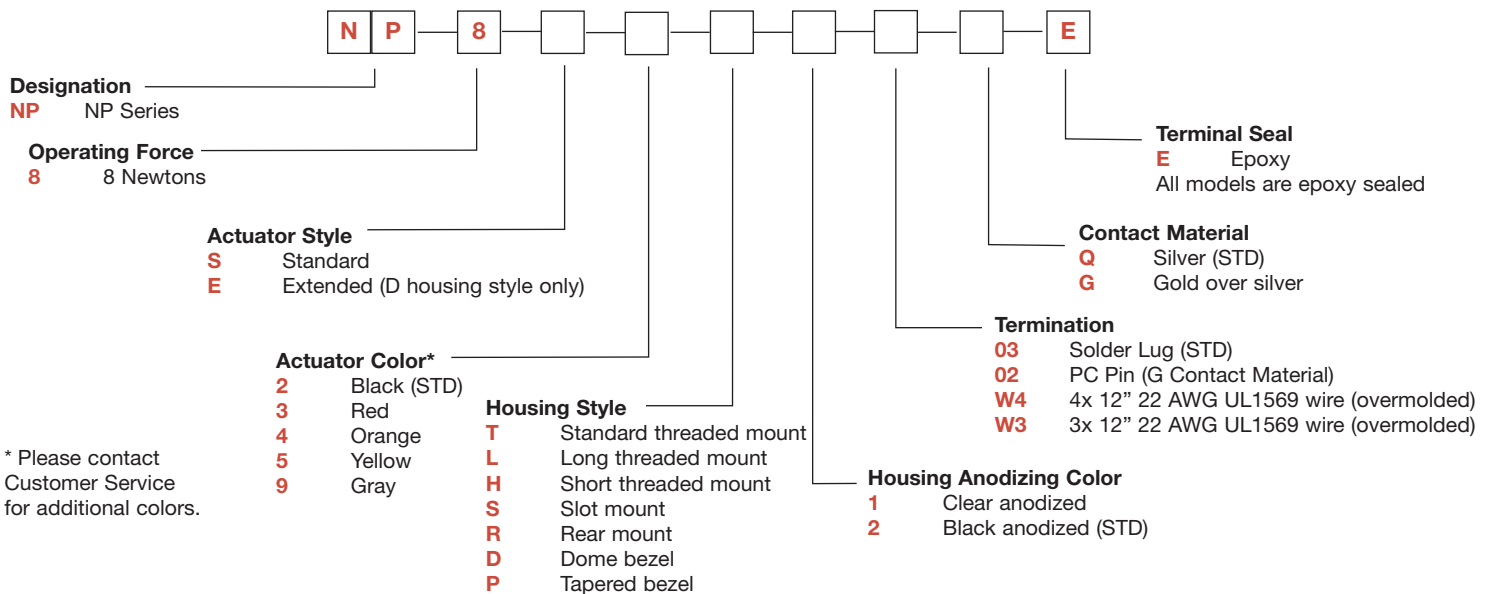
Process Environment

SEALING: IP68

NOTE: Specifications and materials listed above are for switches with standard options. For information on specific and custom switches, please contact Customer Service.

Build-A-Switch

To order, simply select desired option from each category and place in the appropriate box.



Specifications and dimensions subject to change

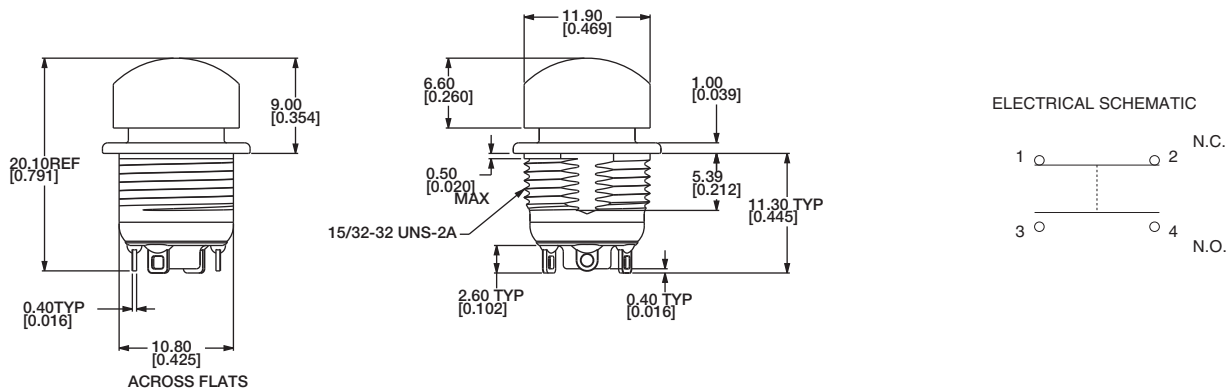
NP Series Sealed Industrial Pushbutton Switch



A

Pushbutton

STANDARD VIEW



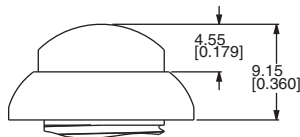
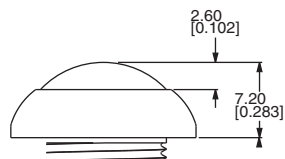
OPERATING FORCE

| OPTION CODE | OPERATING FORCE |
|-------------|-----------------|
| 8 | 8 N |

ACTUATOR STYLE

S STANDARD

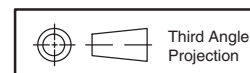
E EXTENDED (D HOUSING STYLE ONLY)



ACTUATOR COLOR

| OPTION CODE | ACTUATOR COLOR |
|-------------|----------------|
| 2 | Black |
| 3 | Red |
| 4 | Orange |
| 5 | Yellow |
| 9 | Gray |

For additional colors please contact Customer Service.



Third Angle
Projection



Dimensions are shown: mm (inches)
Specifications and dimensions subject to change



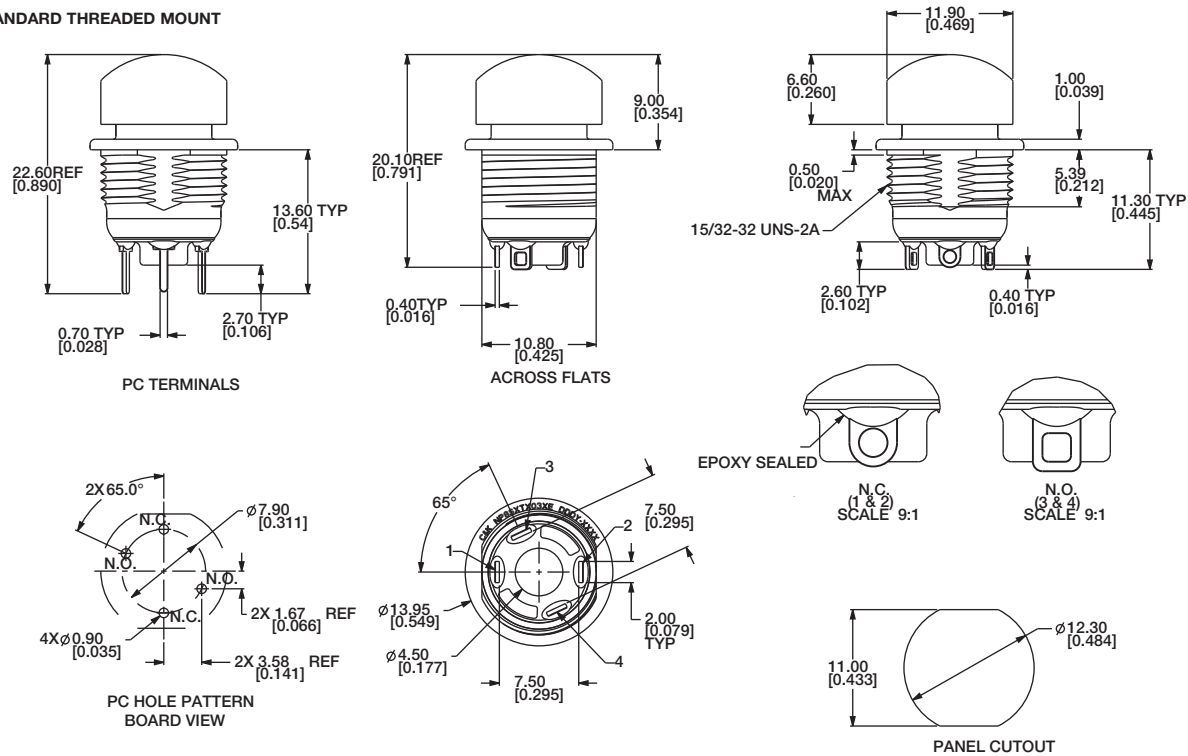
NP Series Sealed Industrial Pushbutton Switch

HOUSING STYLE

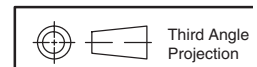
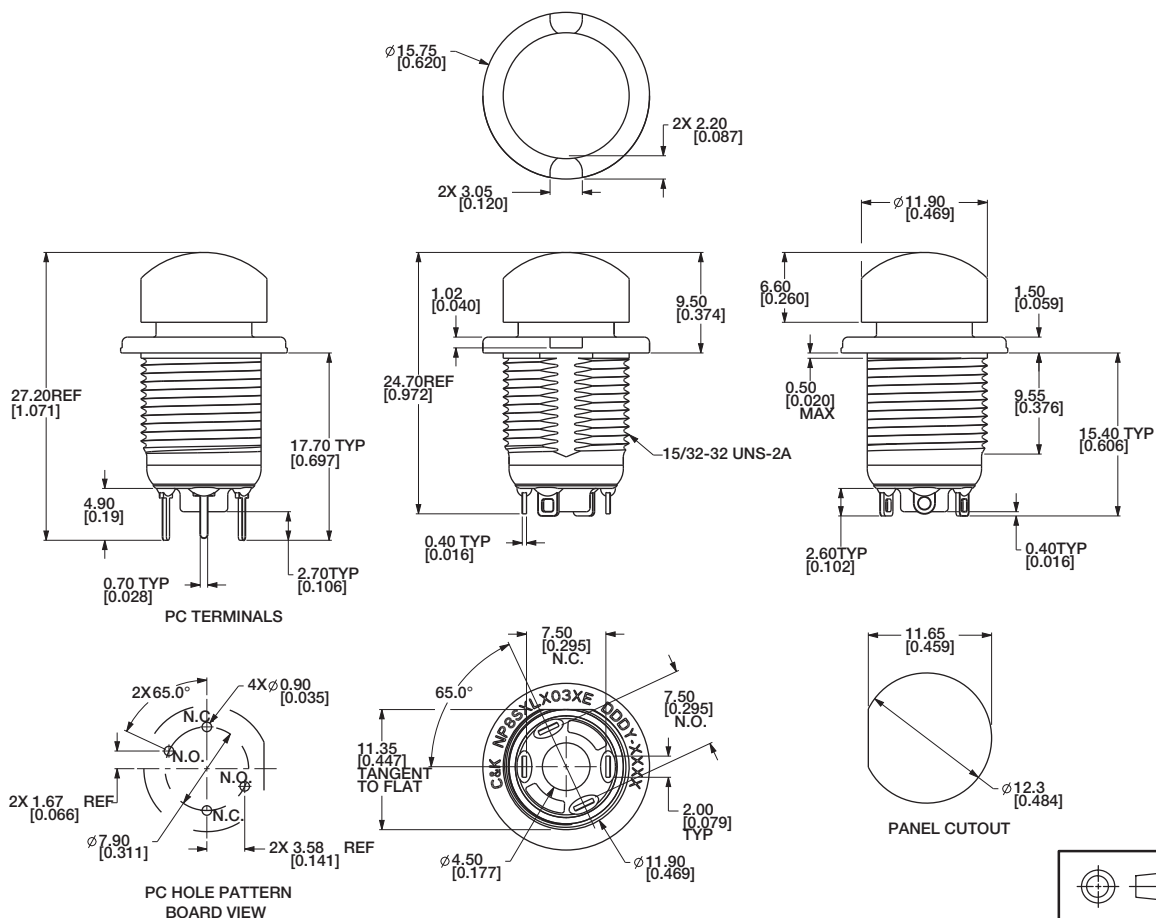
Pushbutton

A

T STANDARD THREADED MOUNT



L LONG THREADED MOUNT



Dimensions are shown: mm (inches)
 Specifications and dimensions subject to change

NP Series Sealed Industrial Pushbutton Switch

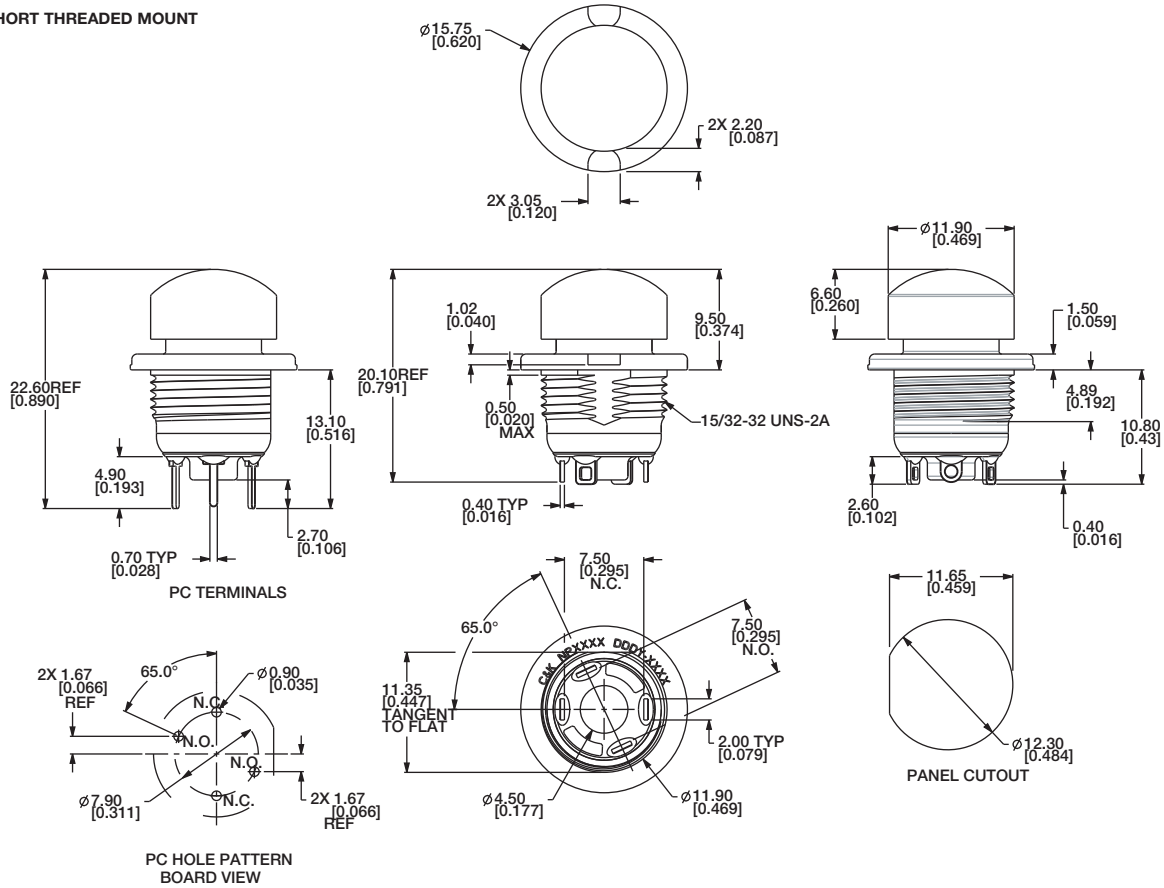


A

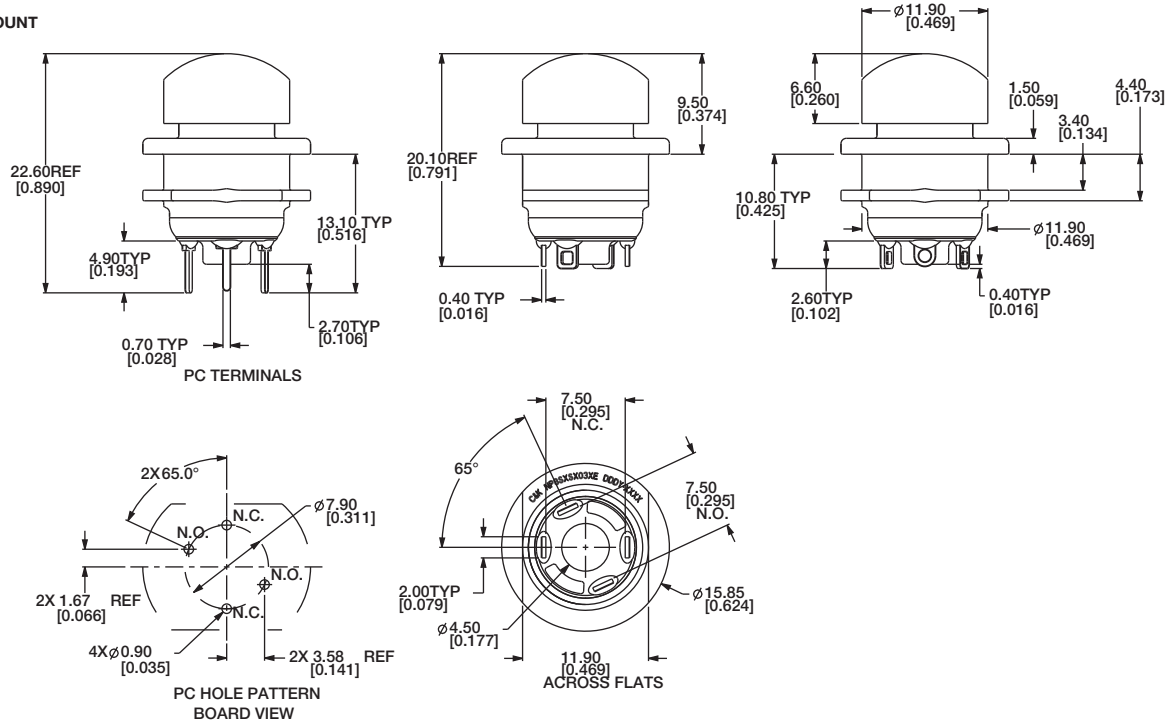
Pushbutton

HOUSING STYLE

H SHORT THREADED MOUNT



S SLOT MOUNT



Dimensions are shown: mm (inches)
Specifications and dimensions subject to change



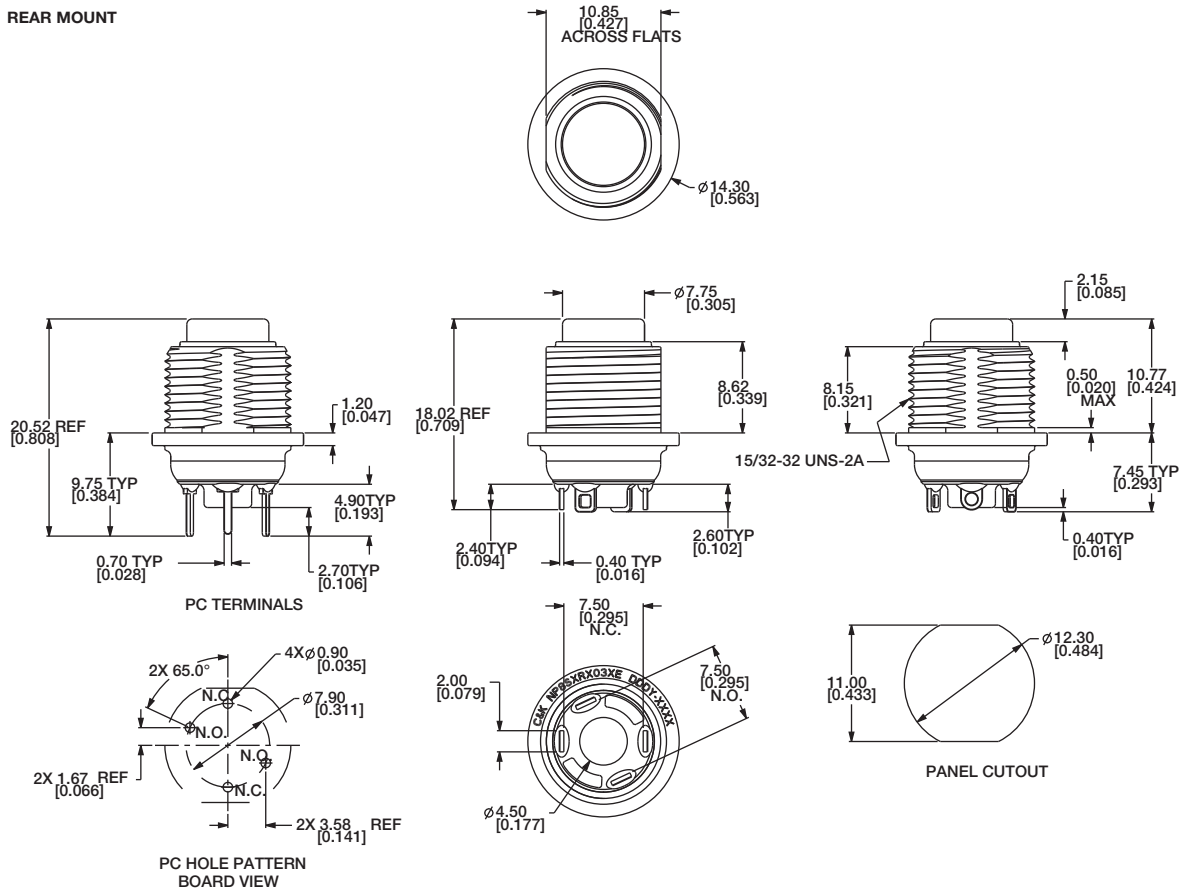
NP Series Sealed Industrial Pushbutton Switch

HOUSING STYLE

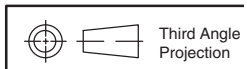
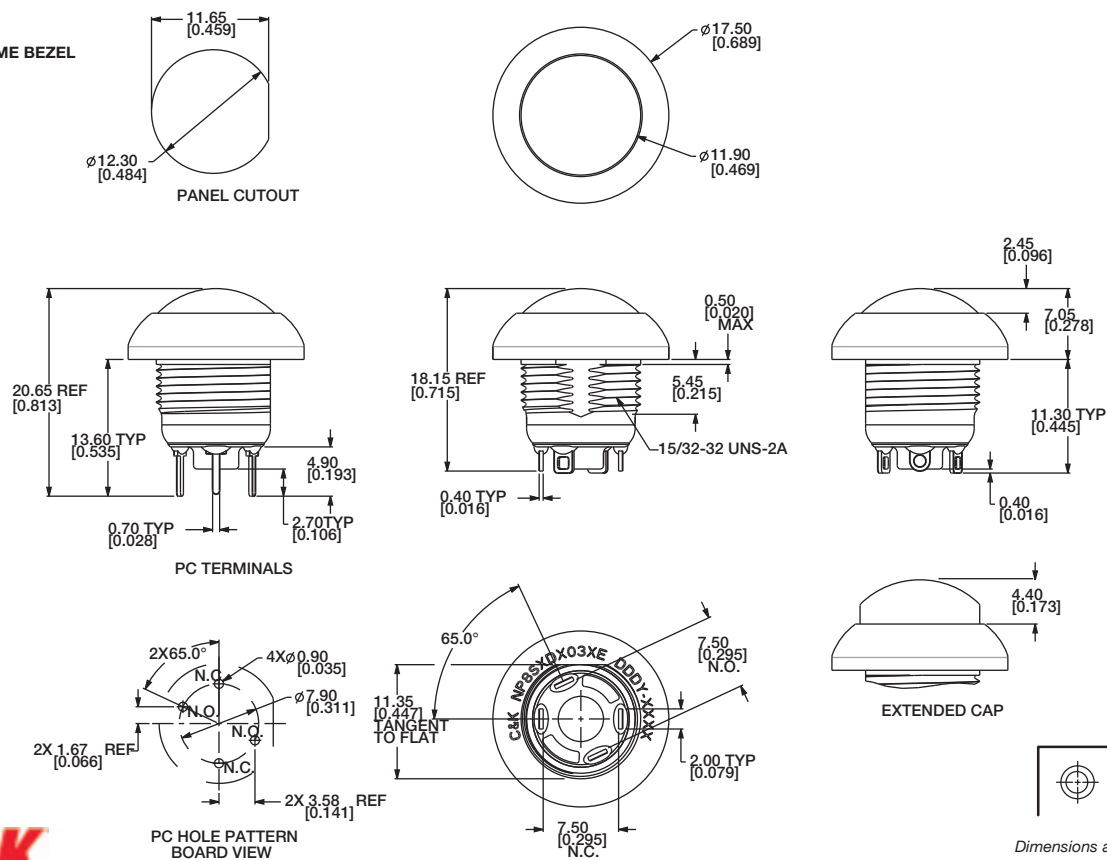
Pushbutton

A

R REAR MOUNT



D DOME BEZEL



Dimensions are shown: Inches (mm)
Specifications and dimensions subject to change

NP Series Sealed Industrial Pushbutton Switch

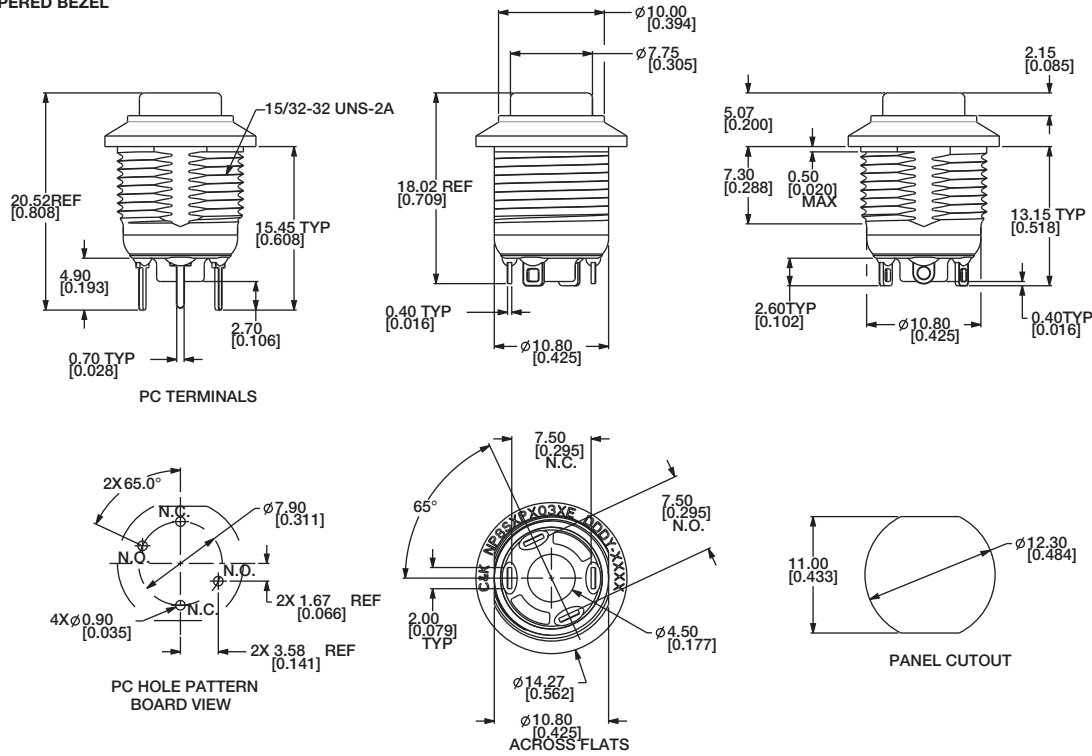


A

Pushbutton

HOUSING STYLE

P TAPERED BEZEL

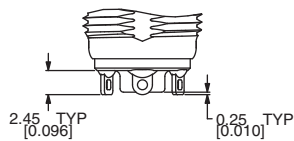


HOUSING ANODIZING COLOR

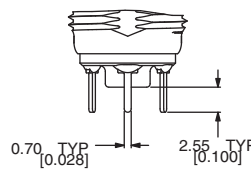
| OPTION CODE | ANODIZING COLOR |
|-------------|----------------------|
| 1 | Clear anodized |
| 2 | Black anodized (STD) |

TERMINATION

03 SOLDER LUG (STD)



02 PC PIN (G CONTACT MATERIAL)



Dimensions are shown: Inches (mm)
Specifications and dimensions subject to change

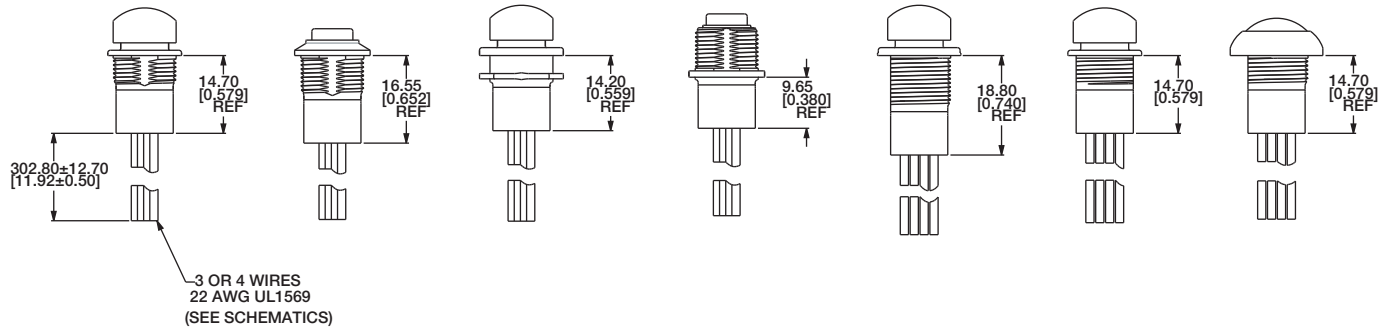


NP Series Sealed Industrial Pushbutton Switch

A

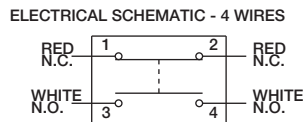
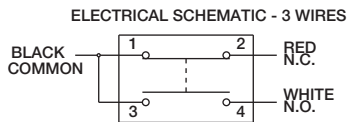
Pushbutton

TERMINATION



W3 3X 12" 22 AWG UL1569 WIRE (OVERMOLDED)

W4 4X 12" 22 AWG UL1569 WIRE (OVERMOLDED)



CONTACT MATERIAL

| OPTION CODE | CONTACT MATERIAL |
|-------------|------------------|
| Q | Silver (STD) |
| G | Gold over Silver |

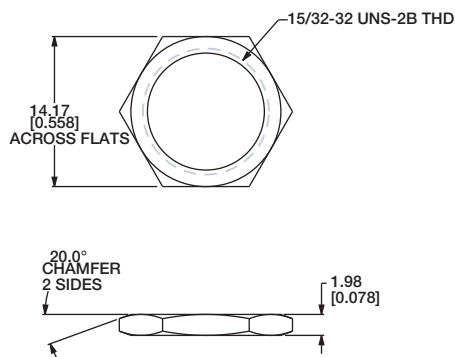
TERMINAL SEAL

E EPOXY

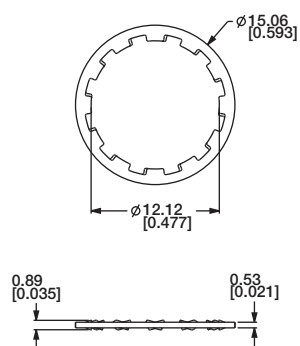
All models are epoxy sealed

HARDWARE

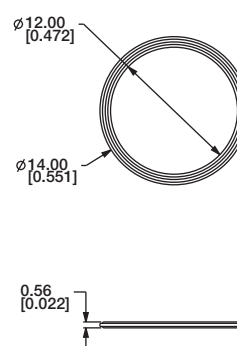
HEX NUT
707100201 Nickel-plated



LOCKWASHER
700302202



PANEL GASKET
851D02000



C&K



Dimensions are shown: mm (inches)
Specifications and dimensions subject to change