

# HB Series Single Pole Standard Precision Snap-acting Switches

## Features/Benefits

- Low differential travel, high repeatability
- Long life—150,000 cycles typical
- Single and double pole circuitry
- Sealed actuator and case

## Typical Applications

- Thermostats
- Motors
- Industrial controls



## Specifications

**CONTACT RATING:** From low level\* to 20 AMPS @ 480 V AC; see ELECTRICAL RATING option section for complete listings.

**ELECTRICAL LIFE:** 150,000 cycles at 20 AMPS @ 250 V AC. consult Customer Service Center for typical life at other ratings.

**INSULATION RESISTANCE:** 1,000 M ohm min.

**DIELECTRIC STRENGTH:** 1,500 Vrms min. @ sea level.

**OPERATING TEMPERATURE:** -67°F to 302°F (-55°C to 150°C).

**OPERATING FORCE:** From 4 oz. to 26 oz. max. at actuator button available.

**MOUNTING SCREWS:** Torque 3 in/lbs max.  
(Note: Exceeding 3 in/lbs torque may change operating characteristics and increase the possibility of cracking switch case).

**TERMINAL SCREWS:** Torque 4 in/lbs max.

**PANEL MOUNTING BUSHING:** Torque 4-6 in/lbs max.

**DEGREE OF PROTECTION:** IP65; Dust-proof, water splash and dew condensation.

\* Low Level=conditions where no arcing occurs during switching, i.e., 0.4 VA max. @ 20 V AC or DC max.

## Materials

**SWITCH HOUSING:** Heat resistant/electrical grade phenolic.

**INSERTS:** Brass alloy.

**ACTUATOR BUTTON:** Moisture resistant phenolic.

**SPRING:** Copper alloy.

**PIVOT:** Brass alloy.

**MOVABLE CONTACTS:** Gold alloy for ratings 1 AMP or less.  
Fine silver for ratings greater than 1 AMP and motor load ratings less than 1/2 HP @ 125 V AC. Silver alloy for motor load ratings 1/2 HP @ 125 V AC or greater.

**STATIONARY CONTACTS:** Gold alloy for ratings 1 AMP or less.  
Fine silver welded to copper base for ratings greater than 1 AMP and motor load ratings less than 1/2 HP @ 125 V AC. Silver alloy on copper base for motor load ratings 1/2 HP @ 125 V AC or greater.

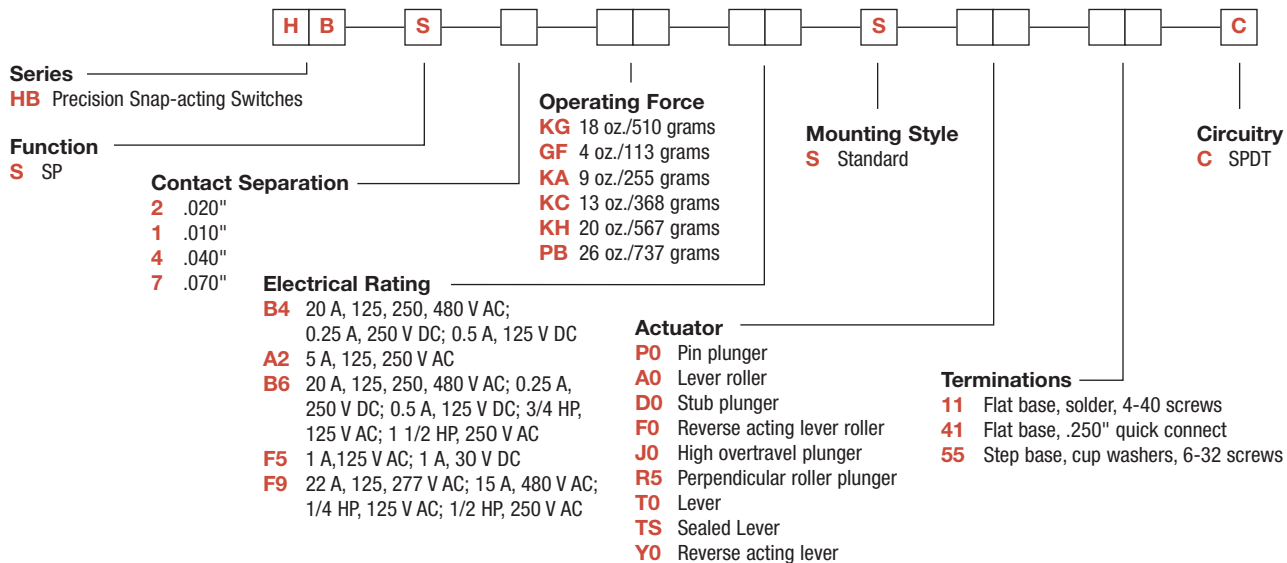
**TERMINALS:** Brass alloy, bright tin plated.

**NOTE:** Specifications and materials listed above are for switches with standard options. For information on specific and custom switches, consult Customer Service Center.

Snap-acting

## Build-A-Switch

To order, simply select desired option from each category and place in the appropriate box. Available options are shown and described on pages J-50 thru J-54. For additional options not shown in catalog, consult Customer Service Center.



Dimensions are shown: Inches (mm)  
Specifications and dimensions subject to change

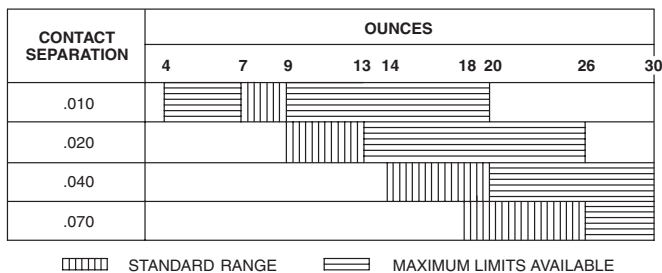


# HB Series Single Pole Standard Precision Snap-acting Switches

## OPERATING FORCE

OPTION CODE	MAXIMUM OPERATING FORCE (OZ./GRAMS)	STANDARD CONTACT SEPARATION (inch)
<b>KG</b>	18 510	.020
<b>GF</b>	4 115	.010
<b>KA</b>	9 255	.010
<b>KC</b>	13 370	.020
<b>KH</b>	20 570	.040
<b>PB</b>	26 740	.070

OPERATING FORCE SPECIFICATION LIMITS  
FOR VARIOUS CONTACT SEPARATIONS



**NOTE:** All listed differential travel characteristics are based on standard operating force and contact separation. For any other force or contact separation, consult Customer Service Center.  
Operating force varies with actuator option, see ACTUATOR option section.

## ELECTRICAL RATING

OPTION CODE	MOVABLE CONTACT	STATIONARY CONTACT	ELECTRICAL RATING
<b>B4</b>	Fine silver.	Fine silver welded to copper base.	20 AMPS @ 125, 250 & 480 V AC; 0.25 AMPS @ 250 V DC; 0.5 AMPS @ 125 V DC (UL).
<b>A2</b>			5 AMPS @ 125 & 250 V AC (UL).
<b>B6</b>	Precious metal alloy.	Precious metal alloy.	20 AMPS @ 125, 250 & 480 V AC; 0.25 AMP @ 250 V DC; 0.5 AMP @ 125 V DC; 3/4 HP @ 125 V AC; 1 1/2 HP @ 250 V AC (UL).
<b>F5</b>	Gold alloy.	Gold alloy.	Low level* to 1 AMP @ 125 V AC; 1 AMP @ 30 V DC (UL).
<b>F9</b>	Fine silver.	Fine silver welded to copper base.	22 AMPS @ 125 & 277 V AC; 15 AMPS @ 480 V AC; 1/4 HP @ 125 V AC; 1/2 HP @ 250 V AC; 277 V AC (UL).

\* Note: See Technical Data section of this catalog for RoHS compliant and compatible definition and specifications.

AVAILABLE COMBINATIONS

ELECTRICAL RATING	OPERATING FORCE (oz.)					
	4 GF	9 KA	13 KC	18 KG	20 KH	26 PB
A2	•	•	•	•	•	•
B4	x	•	•	•	•	•
B6	x	x	x	•	•	•
F5	x	x	•	•	•	•
F9	x	x	x	•	•	•

• AVAILABLE  
x NOT AVAILABLE

All models with all options

Consult Customer Service center for availability and delivery of nonstandard ratings.

\* Low Level=conditions where no arcing occurs during switching, i.e., 0.4 VA max. @ 20 V AC or DC max.

Snap-acting



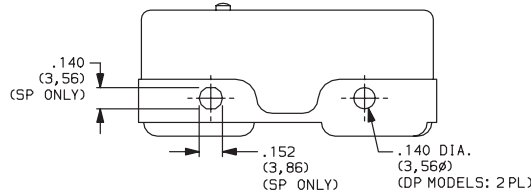
Dimensions are shown: Inches (mm)

Specifications and dimensions subject to change

# HB Series Single Pole Standard Precision Snap-acting Switches

## MOUNTING STYLE

**S** Standard



**NOTE:** Mounting holes will accept pins or screws of .139 dia. (3,53) max. on 1.000 ± .002 (25,4 ± 0,05) centers.

**NOTE:** Torque mounting screws 3 inlbs max.

## ACTUATOR

OPTION CODE	NO. POLES	FIG.	DIM. A	DIM. B	DIM. C	DIM. D
<b>A0</b>	SP	1	.86 (21,8)	1.120 ± .060 (28,45 ± 1,52)	.38 dia. (9,70)	1.03 (26,2)
<b>D0</b>	SP	3	.92 (23,4)	.844 ± .020 (21,44 ± 0,51)	—	—
<b>F0</b>	SP	2	.09 (2,3)	1.120 ± .050 (28,45 ± 1,27)	.38 dia. (9,70)	.74 (18,8)
<b>J0</b>	SP	4	.86 (21,8)	.860 ± .030 (21,84 ± 0,76)	—	—
<b>P0</b>	SP	5	.92 (23,4)	.625 ± .010 (15,88 ± 0,25)	—	—
<b>R5</b>	SP	6	.92 (23,4)	.62 (15,7)	.50 dia. (12,70)	0.61 (15,5)
<b>T0</b>	SP	7	1.310 (33,27)	.720 ± .060 (18,28 ± 1,52)	1.03 dia. (26,20)	—
<b>TS*</b>	SP	7	1.47 (37,3)	.720 ± .060 (18,28 ± 1,52)	1.03 dia. (26,20)	—
<b>Y0</b>	SP	8	.05 (1,3)	.720 ± .030 (18,29 ± 0,76)	.74 dia. (18,80)	2.65 (6,73)

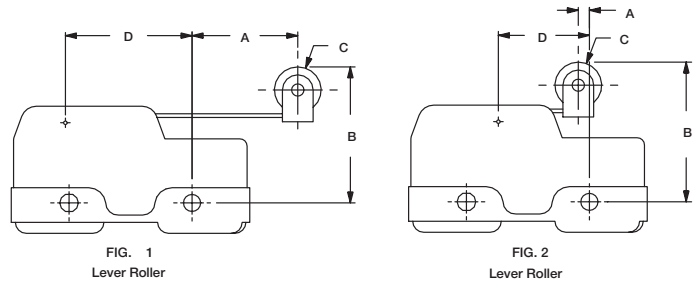


FIG. 1  
Lever Roller

FIG. 2  
Lever Roller

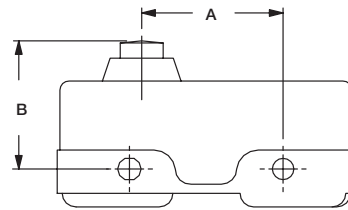


FIG. 3  
Stub Plunger

\* Actuators sealed against the entrance of airborne contaminants and/or splashing liquids.

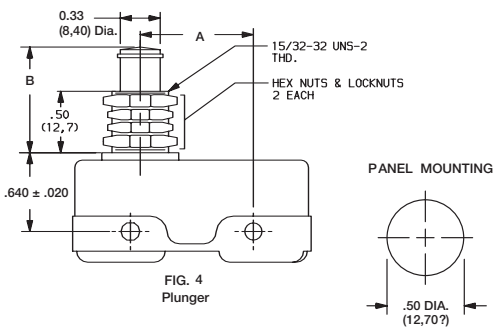


FIG. 4  
Plunger

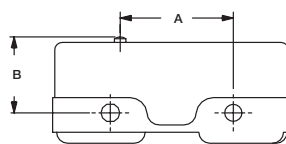


FIG. 5  
Pin Plunger

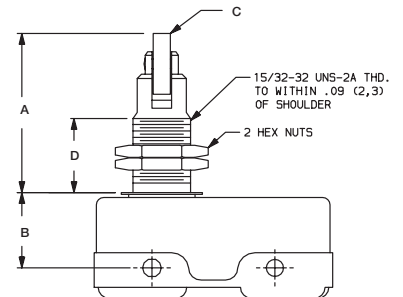


FIG. 6  
Perpendicular Roller Plunger

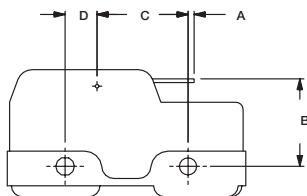


FIG. 8  
Reverse Acting Lever

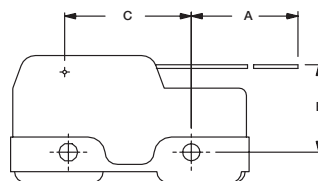


FIG. 7  
Lever



Third Angle  
Projection

Dimensions are shown: Inch (mm)  
Specifications and dimensions subject to change



# HB Series Single Pole Standard Precision Snap-acting Switches

## ACTUATOR

	OPTION CODE	ACTUATOR								* SEALED ACTUATOR
		A0	D0	F0	J0	P0	R5	T0	Y0	TS
MAXIMUM OPERATING FORCE (OZ./GRAMS)	GF	—	—	—	—	4 115	—	—	—	—
	KA	3 85	9.5 269	10 284	10 284	9 255	10 284	2 60	10 284	2 56
	KC	—	13 370	10 284	13 370	13 370	13 370	—	10 284	—
	KG	3.5 100	—	—	—	18 510	—	2.5 71	—	2.5 71
	KH	4 115	20 570	20 570	20 570	20 570	20 570	3 85	20 570	3 85
	PB	4.5 130	26 740	20 570	26 740	26 740	26 740	3.5 100	20 570	3.5 100
MINIMUM RELEASE FORCE (OZ./GRAMS)	GF	—	—	—	—	1 28	—	—	—	—
	KA	.75 21	4 110	3 85	4 110	4 110	4 110	.5 14	3 85	.5 14
	KC	1.7 48	4 110	3 85	4 110	4 110	4 110	—	3 85	—
	KG	.75 21	—	—	—	4 110	—	.5 14	—	.5 14
	KH	.75 21	4 110	3 85	4 110	4 110	4 110	.5 14	3 85	.5 14
	PB	.75 21	4 110	3 85	4 110	4 110	4 110	.5 14	3 85	.5 14

NOTE: For basic switch operating forces, see page J-51. \* Actuators sealed against the entrance of airborne contaminants and/or splashing liquids.

	OPTION CODE	ACTUATOR								* SEALED ACTUATOR
		A0	D0	F0	J0	P0	R5	T0	Y0	TS
MAXIMUM DIFFERENTIAL TRAVEL (IN/MM)	GF	—	—	—	—	.0005 (0,013)	—	—	—	—
	KA	.020 (0,51)	.0005 (0,013)	.005 (0,13)	—	.0005 (0,013)	—	.047 (1,19)	.005 (0,13)	.047 (1,19)
	KC	—	.002 (0,05)	.008 (0,20)	—	.002 (0,05)	—	—	.009 (0,23)	—
	KG	.062 (1,57)	—	—	—	.003 (0,08)	—	.078 (1,98)	—	.078 (1,98)
	KH	.080 (2,03)	.003 (0,76)	.020 (0,51)	—	.003 (0,08)	—	.093 (2,36)	.020 (0,51)	.093 (2,36)
	PB	.125 (3,18)	.007 (0,18)	.030 (0,76)	—	.005 (0,13)	—	.156 (3,96)	.031 (0,79)	.156 (3,96)
MAXIMUM PRETRAVEL (IN/MM)	GF	—	—	—	—	.020 (0,51)	—	—	—	—
	KA	.312 (7,92)	.020 (0,51)	0.8 (2,0)	.015 (0,38)	.015 (0,38)	.015 (0,38)	.38 (9,7)	.09 (2,3)	.38 (9,7)
	KC	—	.020 (0,51)	0.8 (2,0)	.020 (0,51)	.020 (0,51)	.020 (0,51)	—	.09 (2,3)	—
	KG	.312 (7,92)	—	—	—	.025 (0,64)	—	.38 (9,7)	—	.38 (9,7)
	KH	.38 (9,7)	.025 (0,64)	0.9 (2,3)	.025 (0,64)	.025 (0,64)	.025 (0,64)	.38 (9,7)	0.9 (2,3)	.38 (9,7)
	PB	.38 (9,7)	.030 (0,76)	0.9 (2,3)	.030 (0,76)	.030 (0,76)	.030 (0,76)	.38 (9,7)	0.9 (2,3)	.38 (9,7)
MINIMUM OVERTRAVEL (IN/MM)	GF	—	—	—	—	.005 (0,13)	—	—	—	—
	KA	.156 (3,96)	.055 (1,40)	.06 (1,5)	.22 (5,6)	.005 (0,13)	.141 (3,58)	.19 (4,8)	.06 (1,5)	.19 (4,8)
	KC	—	.055 (1,40)	0.9 (2,3)	.22 (5,6)	.005 (0,13)	.141 (3,58)	—	0.9 (2,3)	—
	KG	.156 (3,96)	—	—	—	.005 (0,13)	—	.19 (4,8)	—	.19 (4,8)
	KH	.156 (3,96)	.055 (1,40)	0.9 (2,3)	.22 (5,6)	.005 (0,13)	.141 (3,58)	.19 (4,8)	0.9 (2,3)	.19 (4,8)
	PB	.156 (3,96)	.055 (1,40)	0.9 (2,3)	.22 (5,6)	.005 (0,13)	.141 (3,58)	.19 (4,8)	0.9 (2,3)	.19 (4,8)



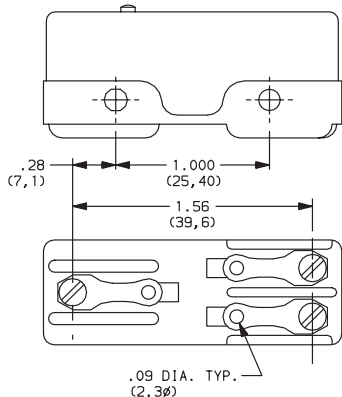
Dimensions are shown: Inches (mm)  
Specifications and dimensions subject to change



# HB Series Single Pole Standard Precision Snap-acting Switches

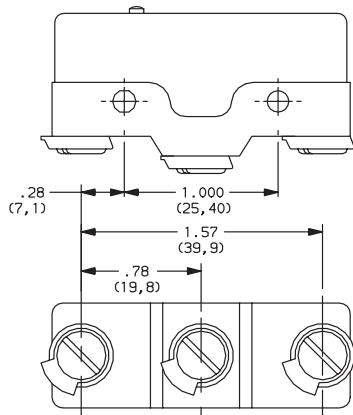
## TERMINATIONS

### 11 FLAT BASE, SOLDER TERMINALS AND 4-40 SCREWS



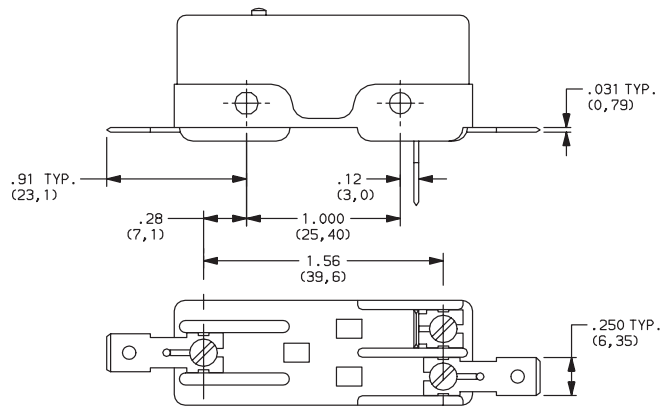
**NOTE:** Switches with flat base option have molded ribs that provide increased creep distance.

### 55 STEP BASE, 6-32 SCREWS AND CUP WASHERS



**NOTE:** Switches with step base option provide wide electrical clearance for screw terminal options.

### 41 FLAT BASE, .250° QUICK CONNECT TERMINALS



Snap-acting

## CIRCUITRY

### C DT (Double Throw, Normally Closed & Normally Open)



Third Angle Projection

Dimensions are shown: Inch (mm)  
Specifications and dimensions subject to change