



# KSA & KSL Series Sealed Tact Switch

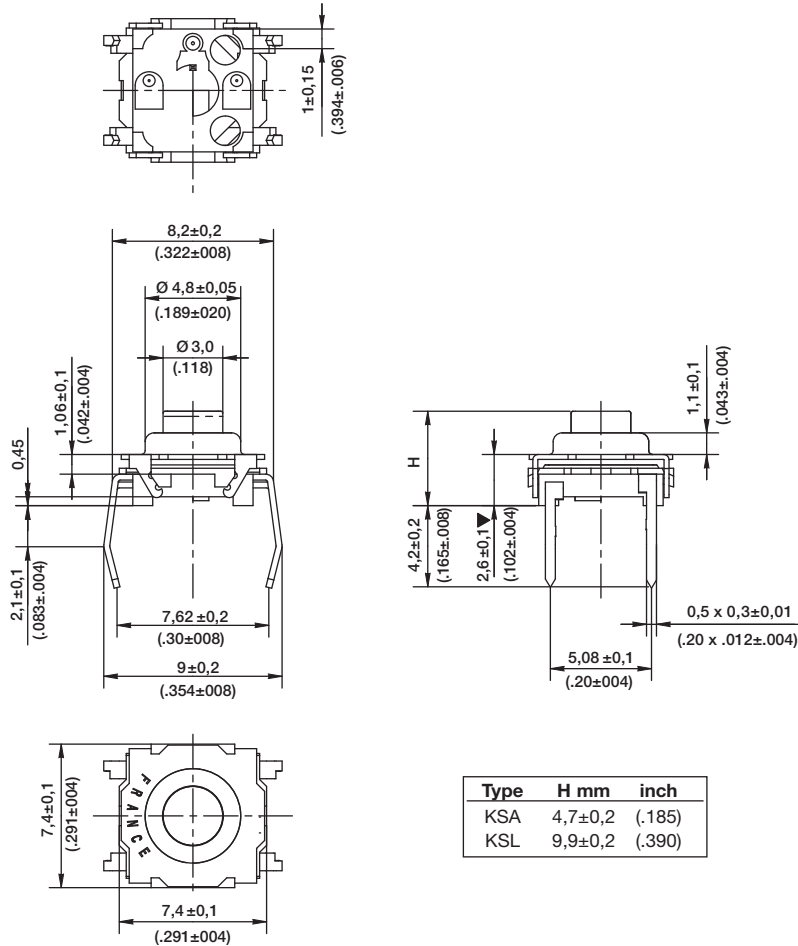
ACTUATOR TYPE

## KSA & KSL



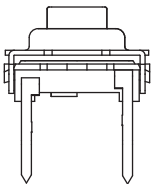
B

Tactile Switches

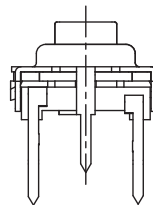


GROUND TERMINAL

0 WITHOUT



1\* WITH



\*Not compatible with "V" insertion



First Angle  
Projection



13 feb 14

B-70

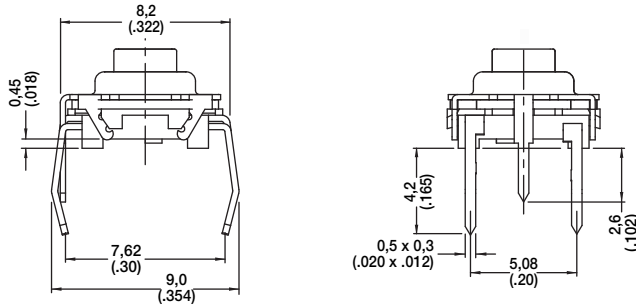
Dimensions are shown: mm (inches)  
Specifications and dimensions subject to change

[www.ck-components.com](http://www.ck-components.com)

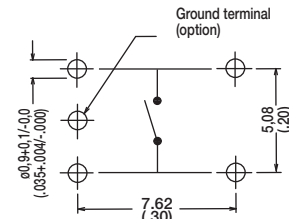
# KSA & KSL Series Sealed Tact Switch

## INSERTION

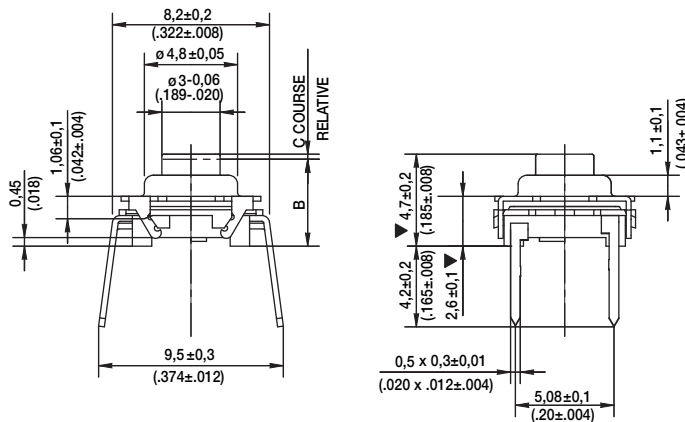
### M MANUAL (BULK PACKAGING)



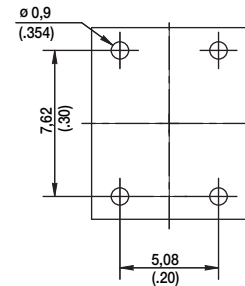
### PCB LAYOUT



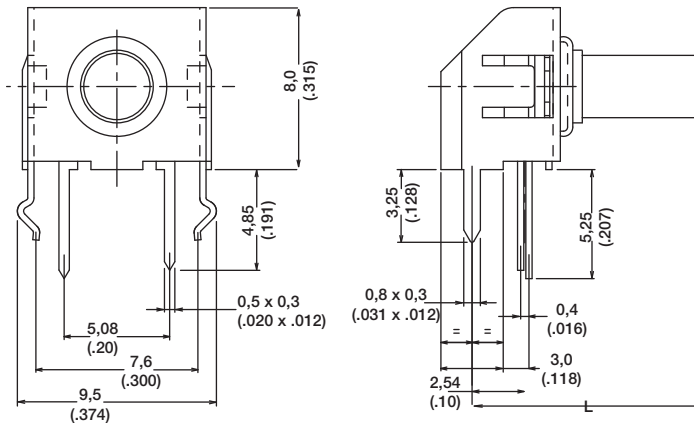
### A AUTOMATIC (TUBE PACKAGING, 65 PIECES PER TUBE)



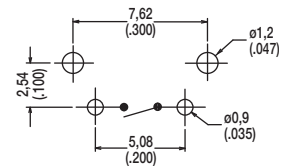
### PCB LAYOUT



### V VERTICAL



### PCB LAYOUT

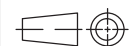


### DIMENSION L

Type	L mm	inch
KSA0V	5,8	.228
KSL0V	11,1	.437

## OPERATING FORCE

OPTION CODE	OPERATING FORCE
2	1.3 N (130 grams) 100,000 operations
3	1.3 N (130 grams) 1,000,000 operations
4	3.0 N (300 grams) 100,000 operations
5	5.0 N (500 grams) 100,000 operations
9	3.0 N (300 grams) 500,000 operations



First Angle Projection

Dimensions are shown: mm (inches)  
Specifications and dimensions subject to change

# KSA & KSL Series Sealed Tact Switch

## CONTACT MATERIAL

OPTION CODE	CONTACT MATERIAL
<b>1</b>	Silver contacts
<b>3</b>	Gold contacts

B

Tactile Switches

## SEALING

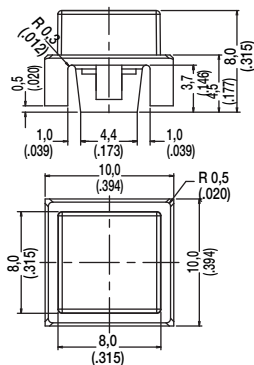
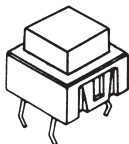
OPTION CODE	SEALING
<b>1</b>	Sealing level IP60

## BUTTONS

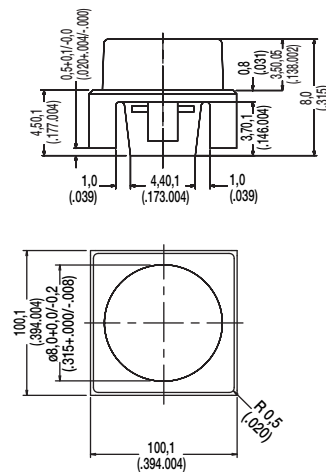
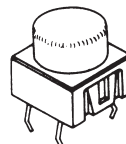
Buttons must be ordered separately and will be supplied in bulk.

BUTTON TYPE	KSA	KSL	KSAV	KSLV
<b>K01</b>	X			
<b>K02</b>	X			
<b>K03</b>	X	X	X	X
<b>K04</b>	X	X	X	X
<b>K05</b>		X		X
<b>K06</b>	X			
<b>K07</b>		X		X
<b>K08</b>		X		X
<b>K09</b>		X		X

**K01**



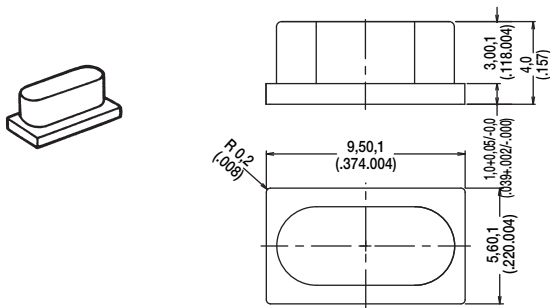
**K02**



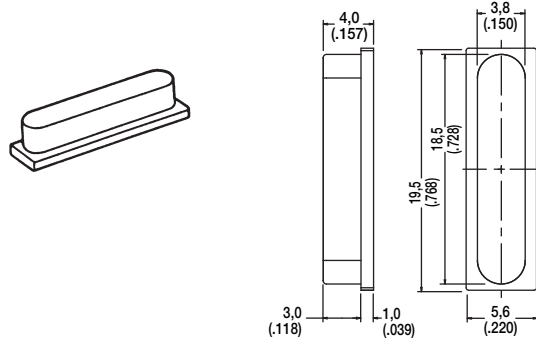
Dimensions are shown: mm (inches)  
Specifications and dimensions subject to change

# KSA & KSL Series Sealed Tact Switch

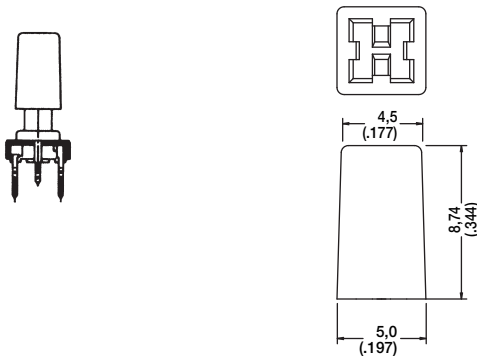
**K03**



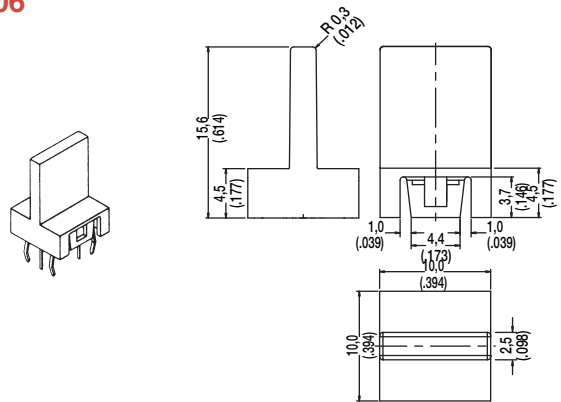
**K04**



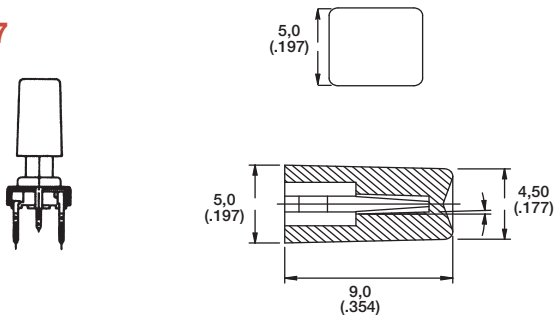
**K05**



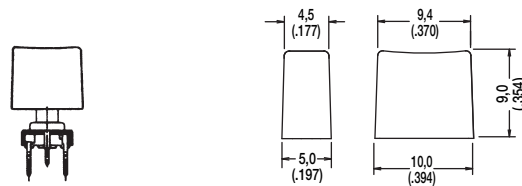
**K06**



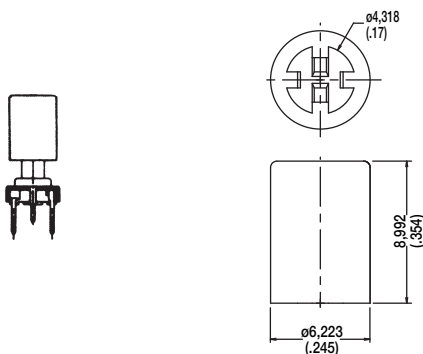
**K07**



**K08**



**K09**



Tactile Switches



Dimensions are shown: mm (inches)  
Specifications and dimensions subject to change