

# KT Series

## Full SMT Top & Side Actuated Sealed Tact Switch



### Features/Benefits

- Full SMT side-actuated tact switch
- SMT top-actuated tact switch with G or J terminations
- High shear force with extended bracket
- Easy to pick & place with top plate tab
- Rubber or hard plastic actuator
- Press fit or snap fit caps
- RoHS compliant and compatible

### Typical Applications

- Telecommunications
- Computer products
- Instrumentation
- Power supply

### Specification

CONTACT ARRANGEMENT: SPST, N.O.  
TERMINALS: SMT termination

### Electrical

CONTACT RATING: 1.0 VA max. @ 32 V AC or DC max.  
ELECTRICAL & MECHANICAL LIFE: 100,000 make-and-break cycles at full load.  
DIELECTRIC STRENGTH: 250 Vrms min. @ sea level.  
CONTACT RESISTANCE: Below 50 mΩ typ. initial @ 2-4 V DC, 100 mA.  
INSULATION RESISTANCE: 10<sup>9</sup> Ω min.

### Environmental

OPERATING TEMPERATURE: -40°C to 90°C

### Process

SOLDERABILITY: Per MIL-STD-202F method 208D, or EIA RS-186E method 9 (1 hour steam aging).  
DEGREE OF PROTECTION: IP57; protection against harmful dust deposits, full-scale voltage protection.

### Packaging

Switches supplied in anti-static tape and reels per EIA 481-2. Tape and cover strip are conductive for use near statically sensitive components.

**NOTE:** Specifications listed above are for switches with standard options. For information on specific and custom switches, consult Customer Service Center.

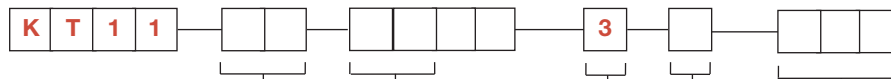
### How To Order

Our easy build-a-switch concept allows you to mix and match options to create the switch you need. To order, select desired option from each category and place it in the appropriate box.

However, please note that all the combinations of these options are not feasible.

For any part number different from those listed above, please consult your local representative.

### SWITCH



#### Actuator

- B0\*** Soft, flush
- B1\*** Soft, 0,64 mm
- B2\*** Soft, 2,24 mm
- P2\*\*** Hard, 2,36 mm
- P3\*\*** Hard, 1,12 mm
- P4\*\*** Hard, 3,96 mm
- S1\*\*\*** ø0,1" for Press Fit Caps
- S2\*\*\*** ø0,14" for Snap Fit Caps (with anti-rotation)

#### Orientation and Mounting Style

- SM** Top Gullwing
- JM** Top J Bend \*\*\*\*
- SAM** Right angle
- SA1M** Right angle with front solder pad
- SA2M** Right angle with front solder pad and pick & place tab
- SA3M** Right angle with pick & place tab

#### Contact Plating

- 4** Silver
- 5** Gold

#### Contact Plating

- LFS** RoHS compliant and compatible. Silver plated
- LFG** RoHS compliant and compatible. Gold plated

\* B0, B1 & B2 available with A, A1 & A3 mounting bracket only.  
\*\* P2, P3, P4 actuators suitable with A1 & A2 mounting bracket only.  
\*\*\* S1 & S2 available with A1 & A2 mounting bracket only.  
\*\*\*\* JM available with B0, B1, B2, P2, P3, P4 without mounting bracket.

### BUTTON

To order buttons in bulk

#### PRESS FIT

PART NUMBER	Internal Part Number	Button Color
<b>BTN KT11 02 80</b>	5081 01000	Natural (Ivory)
<b>BTN KT11 02 90</b>	5081 02000	Black
<b>BTN KT11 02 40</b>	5081 03000	Red

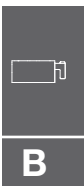
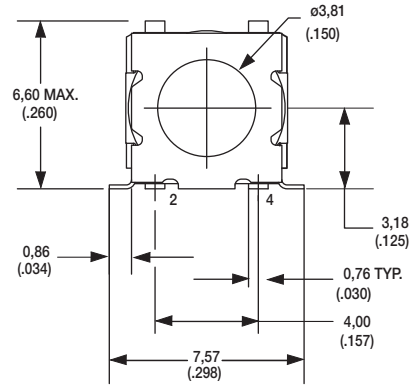
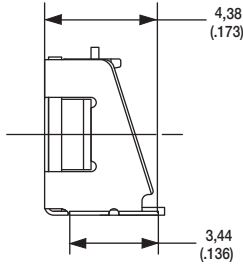
#### SNAP FIT, HIGH TEMPERATURE

PART NUMBER	Internal Part Number	Button Color
<b>BTN KT11 03 80</b>	685B 01000	Natural (Ivory)
<b>BTN KT11 03 90</b>	685B 02000	Black

# KT Series Full SMT Top & Side Actuated Sealed Tact Switch

SERIES

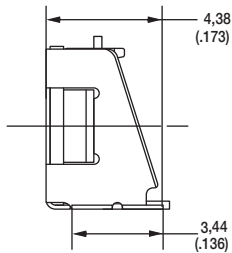
**KT11**



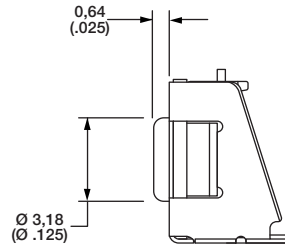
Tactile Switches

ACTUATOR

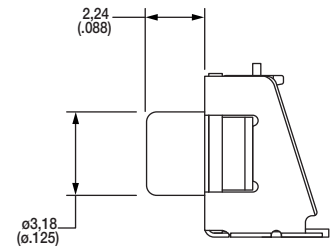
**B0 SOFT, FLUSH\***



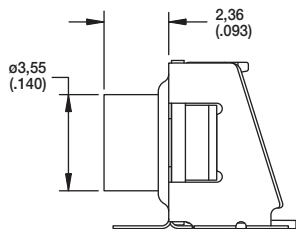
**B1 SOFT, 0,64 mm\***



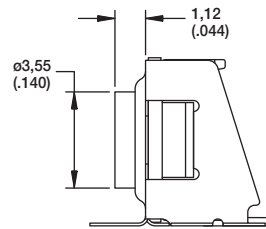
**B2 SOFT, 2,24 mm\***



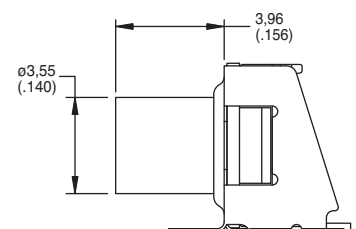
**P2 HARD, 2,36 mm**



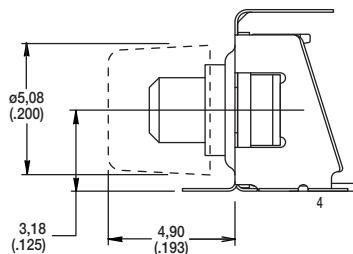
**P3 HARD, 1,12 mm**



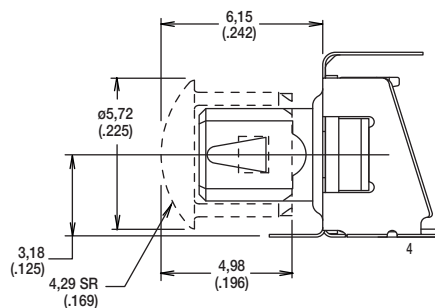
**P4 HARD, 3,96 mm\*\***



**S1 Ø0,1" FOR PRESS FIT CAPS\*\*\***



**S2 Ø0,14" FOR SNAP FIT CAPS\*\*\***



\* B0, B1 & B2 available with A, A1 & A3 mounting bracket only.  
 \*\* P2, P3, P4 actuators suitable with A1 & A2 mounting bracket only.  
 \*\*\* S1 & S2 available with A1 & A2 mounting bracket only.  
 \*\*\*\* JM available with B0, B1, B2, P2, P3, P4 without mounting bracket.

First Angle Projection  
 Dimensions are shown: mm (inches)  
 Specifications and dimensions subject to change



11 aug 14

# KT Series Full SMT Top & Side Acuated Sealed Tact Switch

## ORIENTATION & MOUNTING STYLE

**SM** TOP GULLWING

**JM** TOP J BEND

**SAM** RIGHT ANGLE

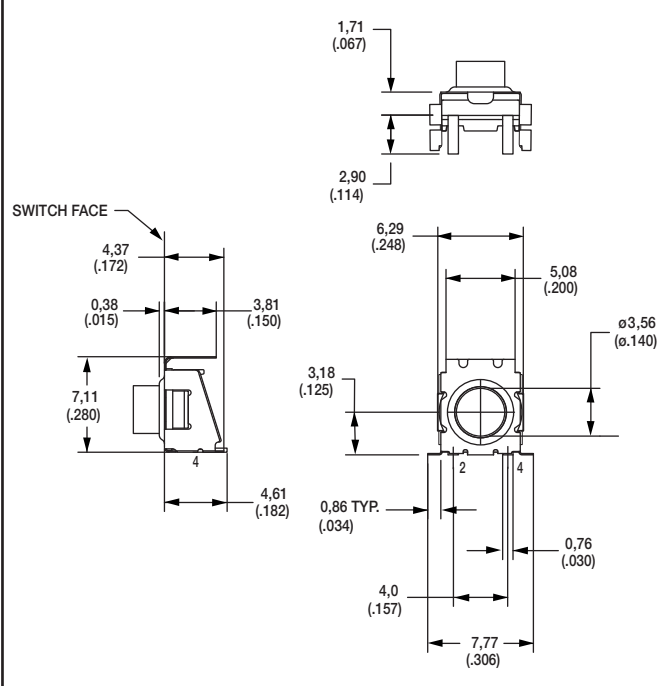
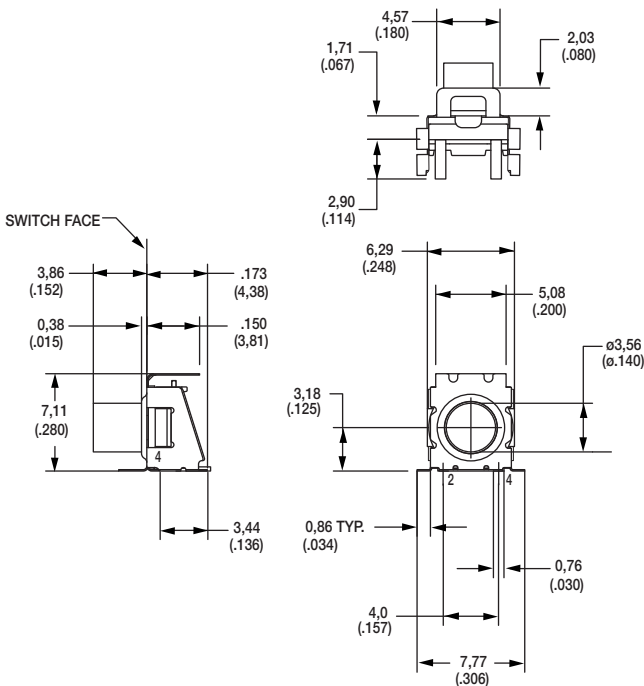
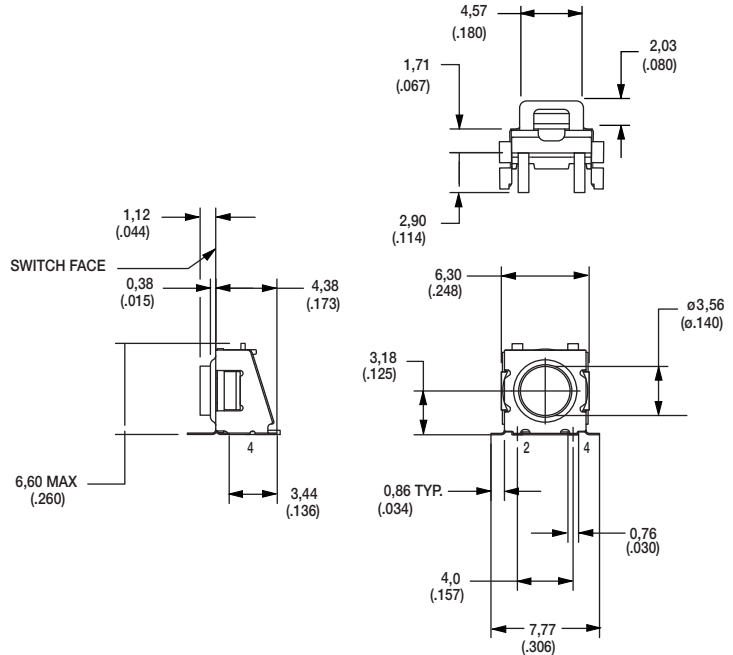
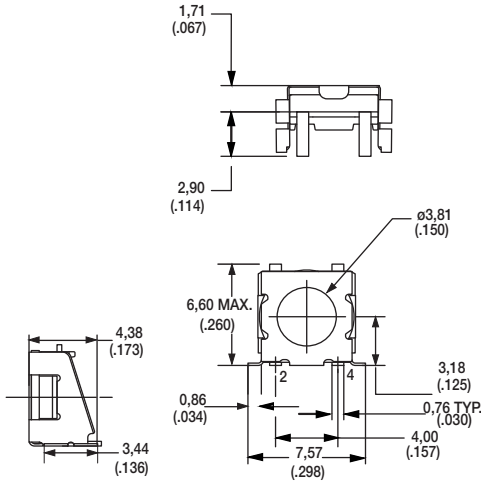
**SA1M** RIGHT ANGLE WITH FRONT SOLDER PAD

**SA2M** RIGHT ANGLE WITH FRONT SOLDER PAD AND PICK & PLACE TAB

**SA3M** RIGHT ANGLE WITH PICK & PLACE TAB

Tactile Switches

B



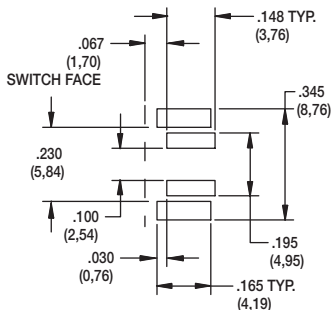
Dimensions are shown: mm (inches)  
Specifications and dimensions subject to change

# KT Series

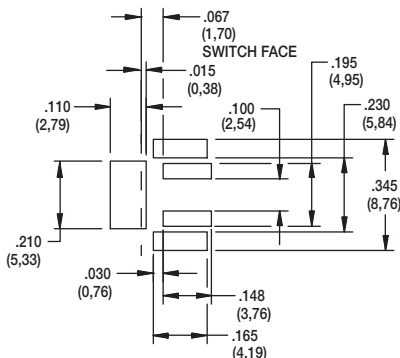
## Full SMT Top & Side Actuated Sealed Tact Switch

### MOUNTING BRACKET

**PAD LAYOUT**  
SAM & SA3M MOUNTING BRACKET



**PAD LAYOUT**  
SA1M & SA2M MOUNTING BRACKET



### CONTACT PLATING

OPTION CODE	MATERIAL
4	SILVER
5	GOLD

### BUTTON

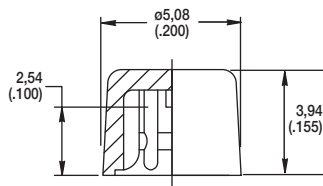
#### BUTTON

To order buttons in bulk

#### 02 PRESS FIT

PART NUMBER	Internal Part Number	Button Color
BTN KT11 02 80	5081 01000	Natural (Ivory)
BTN KT11 02 90	5081 02000	Black
BTN KT11 02 40	5081 03000	Red

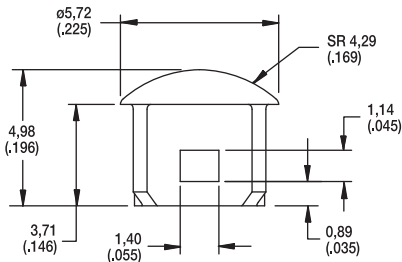
Materials: Nylon  
Finish: Gloss



#### 03 SNAP FIT, HIGH TEMPERATURE

PART NUMBER	Internal Part Number	Button Color
BTN KT11 03 80	685B 01000	Natural (Ivory)
BTN KT11 03 90	685B 02000	Black

Materials: Nylon  
Finish: Gloss



*Dimensions are shown: mm (inches)  
Specifications and dimensions subject to change*



11 aug 14