

SDP Series Micro Mini Pendulum SMT Detect Switch



Features/Benefits

- SMT process compatible
- Low profile
- Right or left side actuated
- Low actuation force
- Low halogen / halogen free

Typical Applications

- Consumer electronics
- Computers
- Medical devices
- ATCA and MicroTCA devices

Specifications

CONTACT RATING: 5 VDC 1mA (0.1mA to 100mA max)
 MECHANICAL AND ELECTRICAL LIFE: 50,000 cycles
 CONTACT RESISTANCE: 500 m Ω max. initial.
 INSULATION RESISTANCE: 100 M Ω (500VDC for 1 min.)
 OPERATING TEMPERATURE: -20°C to + 70°C
 STORAGE TEMPERATURE: -30°C to + 80°C
 PACKAGING: Tape & reel 4,550 pieces

Materials

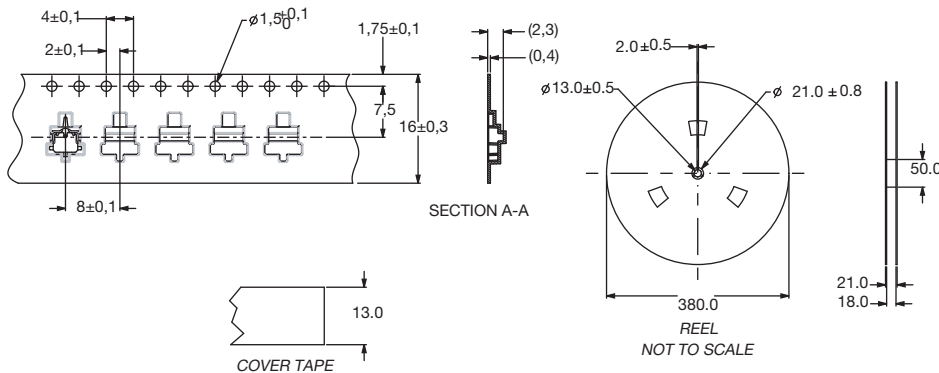
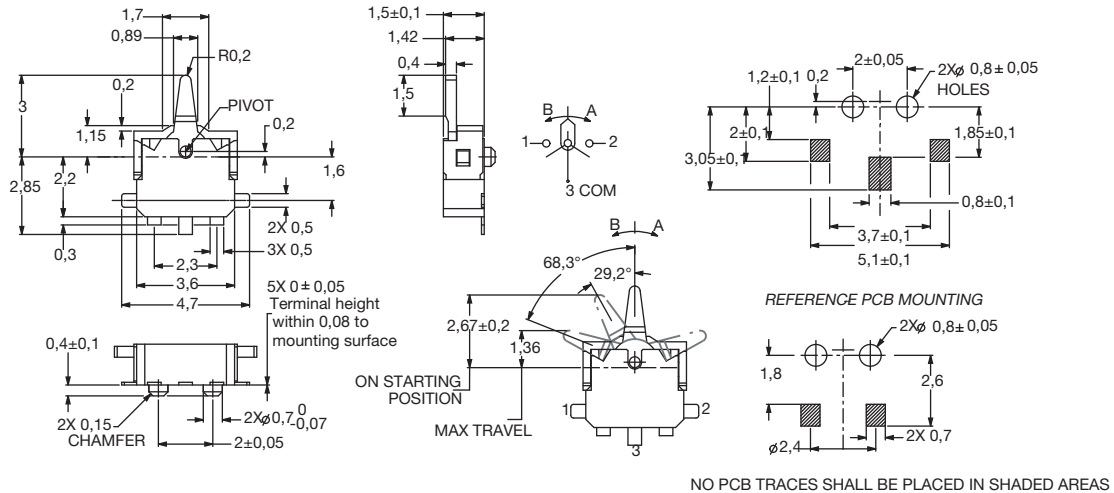
BASE: LCP (black)
 COVER: PA 46 (black)
 ACTUATOR: LCP (black)
 MOVABLE BLADE: Stainless Steel, Ag over Ni plating.
 TERMINALS: Phosphor Bronze, Ag over Ni plating.
 SOLDERABILITY: Lead free compatible - No clean.

NOTE: Specifications and materials listed above are for switches with standard options. For information on specific and custom switches, consult Customer Service Center.

Build-A-Switch

Complete part numbers for SDP Series are shown below.

SDP002



Dimensions are shown: mm
 Specifications and dimensions subject to change