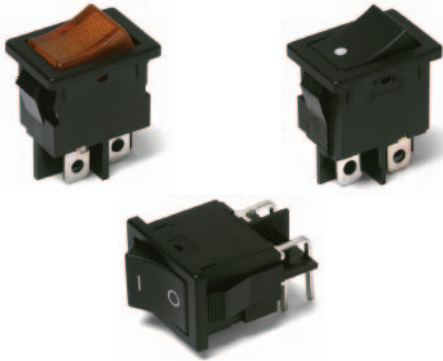


# DT Series Miniature Power Rocker Switches



## Features/Benefits

- Illuminated versions available
- Double pole switching in miniature package
- Snap-in mounting
- RoHS compliant

## Typical Applications

- Small appliances
- Computers and peripherals
- Medical instrumentation



## Specifications

CONTACT RATING:  
 UL/CSA: 8 AMPS @ 125 VAC, 4 AMPS @ 250 VAC  
 VDE: 10 AMPS @ 125 VAC, 6 AMPS @ 250 VAC.  
 ELECTRICAL LIFE: 10,000 make and break cycles at full load.  
 INSULATION RESISTANCE:  $10^8 \Omega$  min.  
 DIELECTRIC STRENGTH: 1,500 VRMS @ sea level.  
 OPERATING TEMPERATURE: -20°C to +85°C

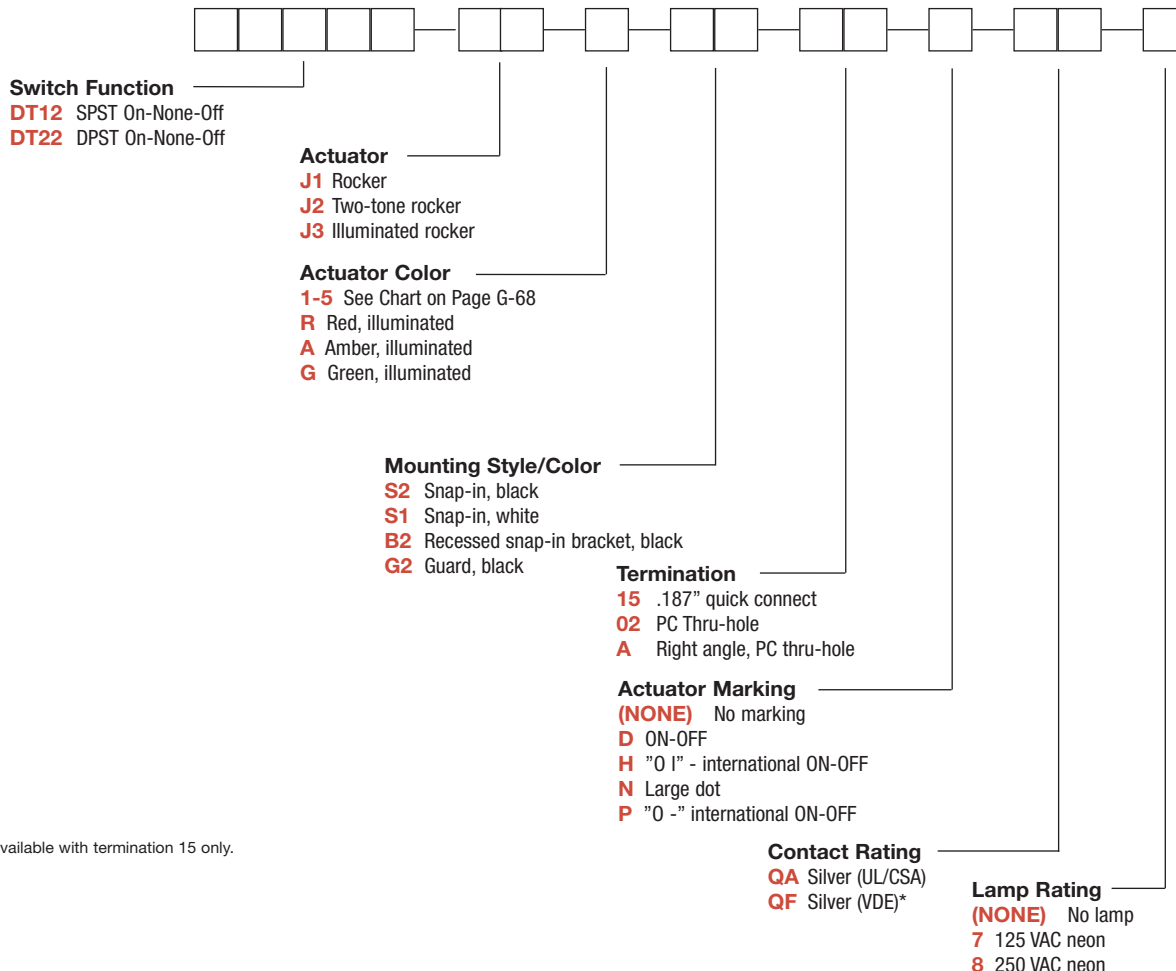
## Materials

HOUSING AND ACTUATOR: 6/6 nylon (UL94V-2), black, matte finish.  
 ILLUMINATED ACTUATOR: Polycarbonate, matte finish.  
 CENTER CONTACTS: Silver plated, copper alloy.  
 END CONTACTS: Silver plated AgCdO.  
 ALL TERMINALS: Silver plated, copper alloy.

**NOTE:** Specifications and materials listed above are for switches with standard options. For information on specific and custom switches, consult Customer Service Center.

## Build-A-Switch

To order, simply select desired option from each category and place in the appropriate box. Available options are shown and described on pages G-67 through G-69. For additional options not shown in catalog, consult Customer Service Center.



\* QF available with termination 15 only.

Rocker



G

**C&K**

Dimensions are shown: Inches (mm)  
 Specifications and dimensions subject to change

# DT Series Miniature Power Rocker Switches

## SWITCH FUNCTION



NO. POLES	MODEL NO.	SWITCH FUNCTION		CONNECTED TERMINALS		SCHEMATIC
		POS 1	POS 3	POS 1	POS 3	
SP	<b>DT12</b>	ON	OFF	2-1	OPEN	 For Illuminated Versions
DP	<b>DT22</b>	ON	OFF			 For Illuminated Versions

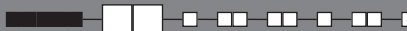
  

.591 (15,0)  
.504 (12,8)  
.315 (8,0)  
.484 (12,3)

.827 (21,0)  
.079 (2,0)  
.551 (14,0)  
.866 (22,0)  
.098 DIA. (ø2,5)  
.187 (4,75)  
.197 (5,0)  
.157 (4,0)  
.724 (18,4)

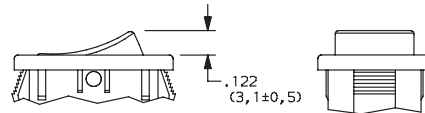
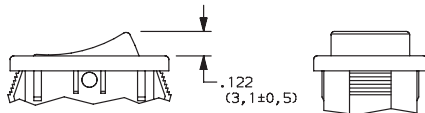
.122 (3,1±0,5)  
.031 (0,8±0,05)  
.197 (5,0±0,5)

## ACTUATOR



- J1** ROCKER
- J3** ILLUMINATED ROCKER

- J2** TWO-TONE ROCKER



*Dimensions are shown: Inches (mm)  
Specifications and dimensions subject to change*



# DT Series Miniature Power Rocker Switches

## ACTUATOR COLOR



	OPTION CODE	ACTUATOR COLOR
For J1 only	2	BLACK
	1	WHITE
	3	RED
For J3 only	R	RED, ILLUMINATED
	A	AMBER, ILLUMINATED
	G	GREEN, ILLUMINATED

OPTION CODE	ACTUATOR COLOR	
	TOP	BOTTOM
1	WHITE	RED
2	WHITE	BLACK
3	RED	WHITE
4	BLACK	WHITE
5	BLACK	RED

J2 actuator only

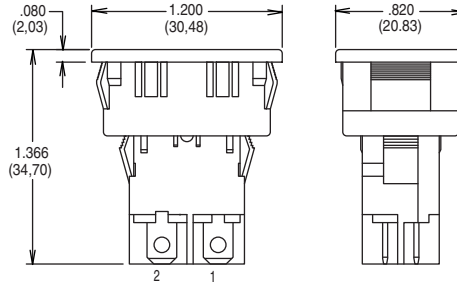
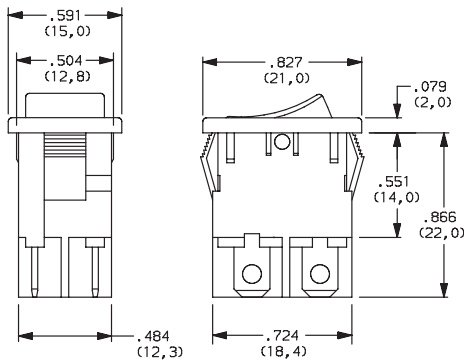
## MOUNTING STYLE/COLOR



**S2** SNAP-IN, BLACK

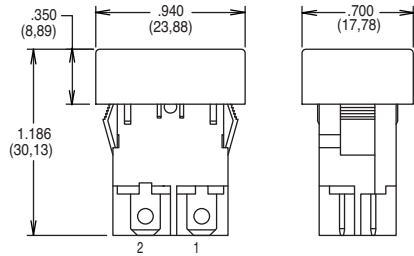
**S1** SNAP-IN, WHITE

**B2** RECESSED SNAP-IN BRACKET, BLACK

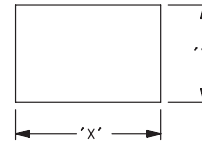


NOTE: Available with DT102 switch functions only.

**G2** GUARD, BLACK



### PANEL MOUNTING



PANEL THICKNESS	"X"	"Y"
0.030-0.049 (0,75-1,25)	0.756-.004 (19,2-0,1)	0.512+.004 (13,0+0,1)
0.049-0.079 (1,25-2,0)	0.764-.004 (19,4-0,1)	0.512+.004 (13,0+0,1)
0.079-0.118 (2,0-3,0)	0.780-.004 (19,8-0,1)	0.512+.004 (13,0+0,1)

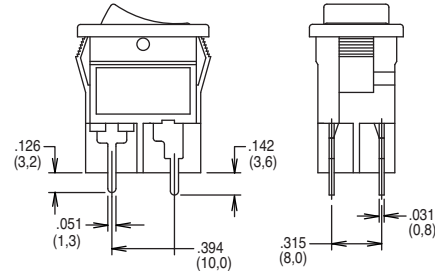
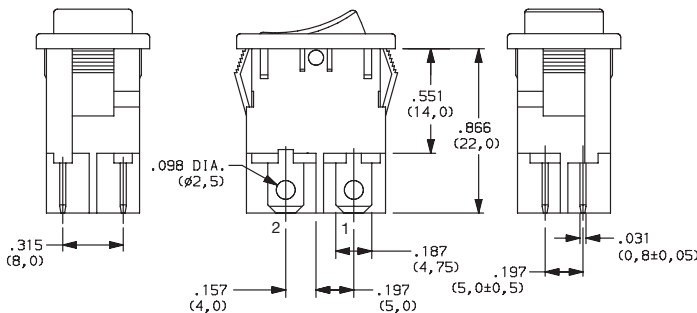
## TERMINATION



**15** .187" QUICK CONNECT

**02** PC THRU-HOLE

Rocker



NOTE: No VDE approval of this option.



Third Angle Projection

Dimensions are shown: Inches (mm)

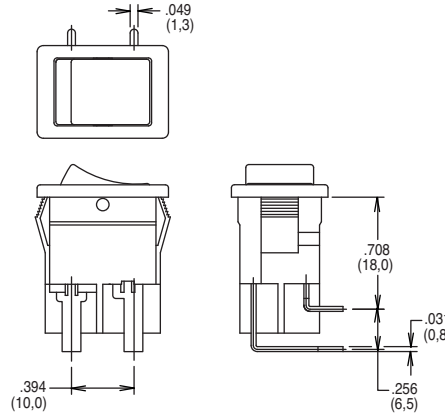
Specifications and dimensions subject to change



# DT Series Miniature Power Rocker Switches

## TERMINATION

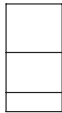
**A** RIGHT ANGLE, PC THRU-HOLE



**NOTE:** No VDE approval of this option.

## ACTUATOR MARKING

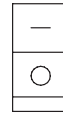
**NONE** NO MARKING



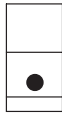
**D** ON-OFF



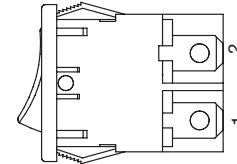
**H** O-I



**N** LARGE DOT



**P** O-



**NOTE:** Orientation of actuator marking and terminals.

## CONTACT MATERIAL

OPTION CODE	CONTACT AND TERMINAL MATERIAL	RATINGS	
		POWER	8 AMPS @ 125 VAC; 4 AMPS @ 250 VAC (UL/CSA)
<b>QA</b>	SILVER	POWER	8 AMPS @ 125 VAC; 4 AMPS @ 250 VAC (UL/CSA)
<b>QF</b>	SILVER	POWER	10 AMPS @ 125 VAC; 6 AMPS @ 250 VAC (VDE)

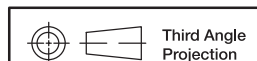
\*1 QF available with termination 15 only.

## LAMP RATING

**(NONE)** NO LAMP

**7** 125 VAC 33kΩ NEON

**8** 250 VAC 150kΩ NEON



Third Angle Projection

Dimensions are shown: Inches (mm)  
Specifications and dimensions subject to change

www.ck-components.com

