

RTE Series Low Profile Rotary DIP Switches

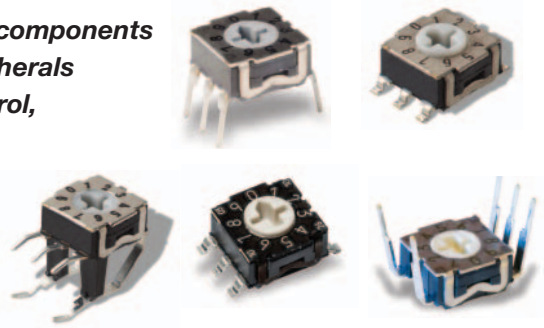


Features/Benefits

- Thru-hole and surface mount models
- Miniature size with robust metal cover in black or silver nickel finish
- 4, 10, & 16 positions
- Large choice of codings
- Vertical or reverse versions
- RoHS compliant

Typical Applications

- Timers, automation components
- Computer and peripherals
- Alarms, access control, smoke detectors
- Instrumentation



Specifications

CONTACT RATING:
Gold: 100 mA max. 10 μ A min. 30 V DC max. 20 mVDC min.
MECHANICAL LIFE: 20,000 actuations
CONTACT RESISTANCE: 100 m Ω max. initial;
150 m Ω after life
INSULATION RESISTANCE: 10¹⁰ Ω min. initial
DIELECTRIC STRENGTH: 300 Vrms 1 mn
OPERATING TEMPERATURE: -25°C to 85°C.
STORAGE TEMPERATURE: -40°C to 85°C.
PACKAGING: N or R terminations in tube.
V termination in box. G termination in reel, 750 pieces per reel. G termination with flush actuator, 1250 pieces per reel.

Materials

COVER: Brass, nickel plated (black or silver)
BASE: PPS
ACTUATOR: LCP
MOVABLE CONTACTS: Bronze, gold plated.
STATIONARY CONTACTS: Brass, gold plated.
TERMINALS: See page I-28 to I-29
O-RING: Silicone

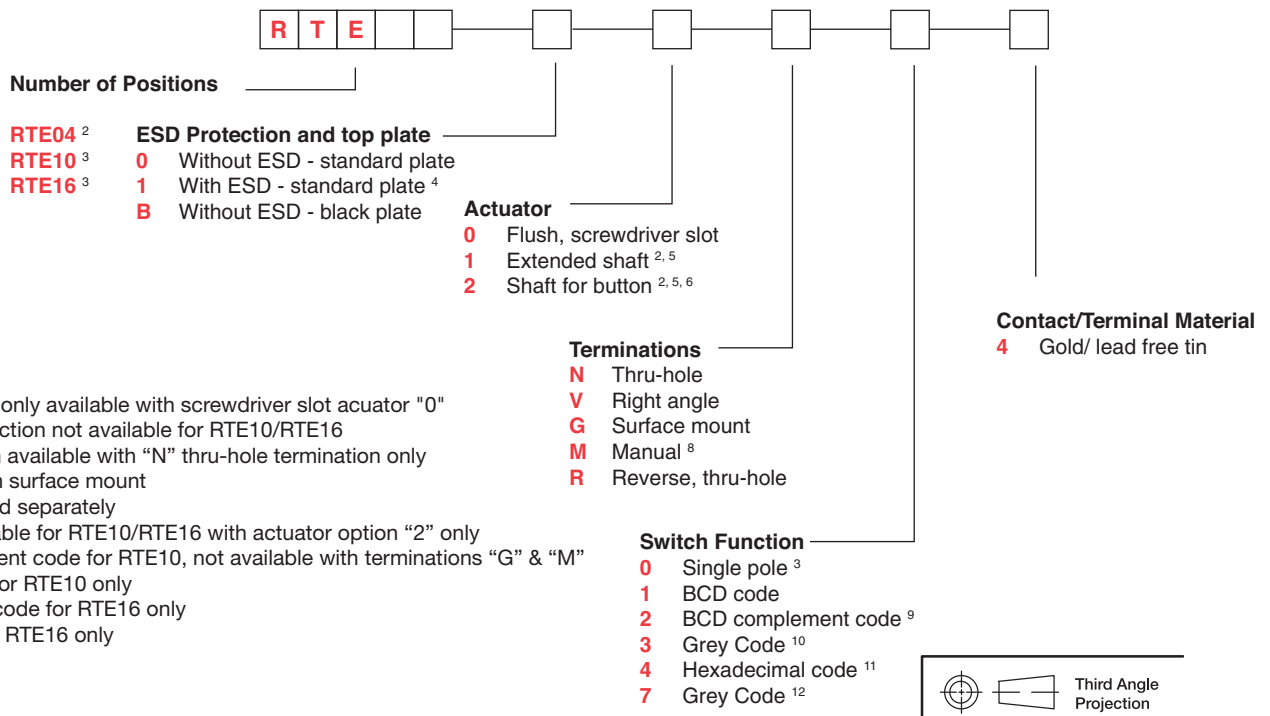
Note: Specifications and materials listed above are for switches with standard options. For information on specific and custom switches, consult Customer Service Center.

Solderability: Wave soldering 260°/10 s.
SMT are reflow compatible according to C&K lead free specification for SMT components PS-LF-001.

How To Order

The Build-A Switch concept allows you to mix and match options to create the switch you need. Below is a complete listing of options shown in catalog. To order, simply select desired option from each category and place in the appropriate box.

NOTE: Some of the configurations may not be available or could require some development.



2 - RTE04 version only available with screwdriver slot acuator "0"
3 - Single pole function not available for RTE10/RTE16
4 - ESD protection available with "N" thru-hole termination only
5 - Not available in surface mount
6 - Buttons ordered separately
8 - Manual - available for RTE10/RTE16 with actuator option "2" only
9 - BCD complement code for RTE10, not available with terminations "G" & "M"
10 - Grey Code - for RTE10 only
11 - Hexidecimal code for RTE16 only
12 - Grey code for RTE16 only



Dimensions are shown: Inch (mm)
Specifications and dimensions subject to change

RTE Series Low Profile Rotary DIP Switches

SWITCHES WITH STANDARD OPTIONS

PC Mount-Terminal Option N



| PART NUMBER WITHOUT ESD PIN | WITH ESD PIN | NO. POS. | FUNCTION | QTY PER TUBE |
|-----------------------------|-------------------|----------|-------------|--------------|
| RTE0400N04 | RTE0410N04 | 4 | SP4T | 65 |
| RTE1000N14 | RTE1010N14 | 10 | BCD | 65 |
| RTE1600N44 | RTE1610N44 | 16 | HEXADECIMAL | 65 |

Right Angle Mount-Terminal Option V



| PART NUMBER | NO. POS. | FUNCTION | QUANTITY |
|-------------------|----------|-------------|-------------|
| RTE0400V04 | 4 | SP4T | 150 per box |
| RTE1000V14 | 10 | BCD | 150 per box |
| RTE1600V44 | 16 | HEXADECIMAL | 150 per box |

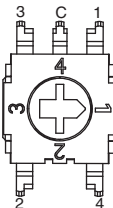
Surface Mount-Terminal Option G



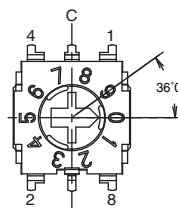
| PART NUMBER | NO. POS. | FUNCTION | QUANTITY PER REEL |
|-------------------|----------|-------------|-------------------|
| RTE0400G04 | 04 | SP4T | 1250 |
| RTE1000G14 | 10 | BCD | 1250 |
| RTE1600G44 | 16 | HEXADECIMAL | 1250 |

NUMBER OF POSITIONS

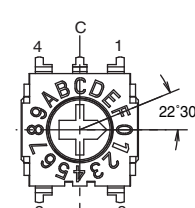
RTE04 4 POSITION



RTE10 10 POSITION



RTE16 16 POSITION



Third Angle
Projection

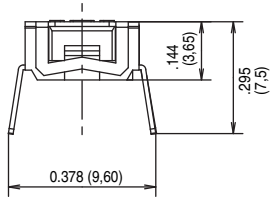
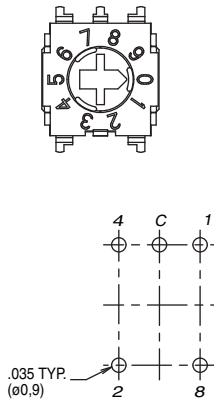
RTE Series Low Profile Rotary DIP Switches

ESD PROTECTION 

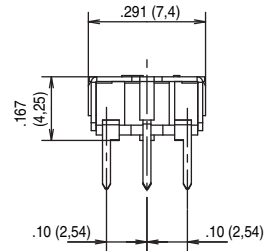
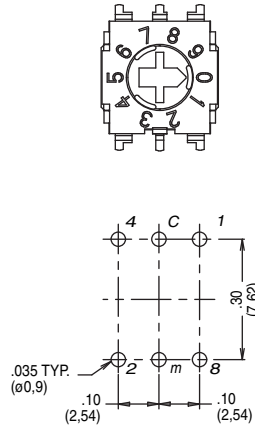


H
DIP

0 WITHOUT

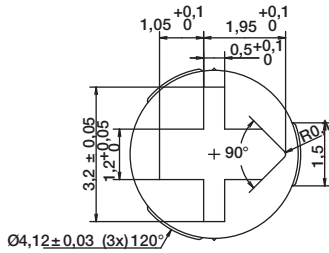


1 WITH

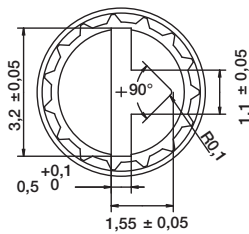


ACTUATOR 

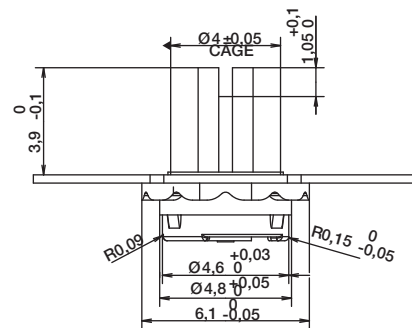
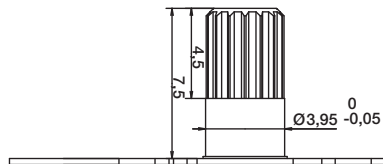
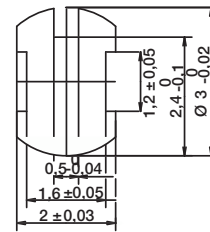
0 FLUSH, SCREWDRIVER SLOT



1 EXTENDED SHAFT
(not available in surface mount)



2 SHAFT FOR BUTTON



Dimensions are shown: Inch (mm)
Specifications and dimensions subject to change



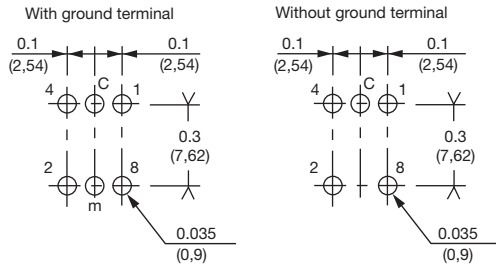
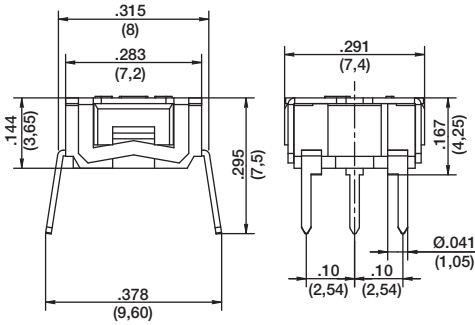
RTE Series Low Profile Rotary DIP Switches

TERMINATIONS

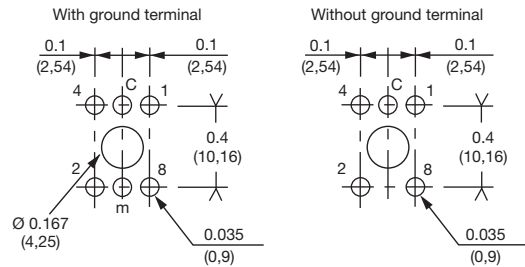
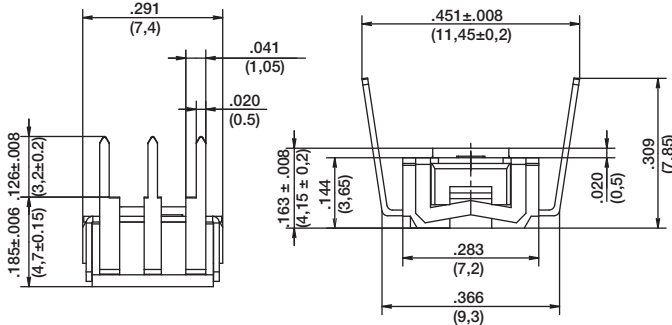


DIP H

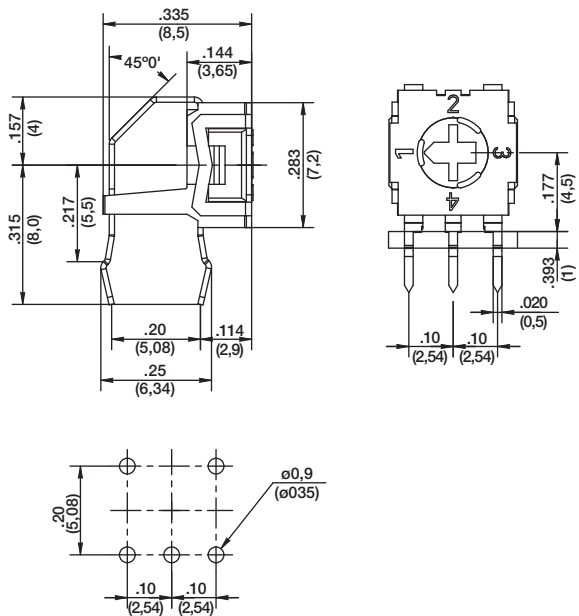
N THRU-HOLE



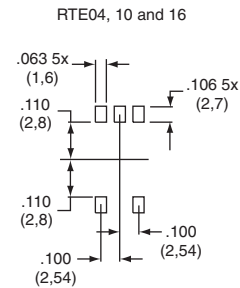
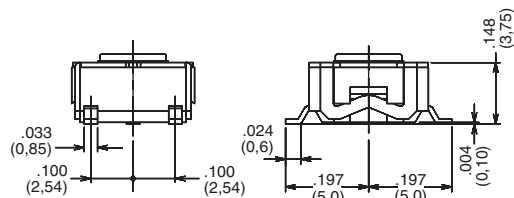
R REVERSE, THRU-HOLE



V RIGHT ANGLE, THRU-HOLE



G SURFACE MOUNT



PCB layout seen component side



Third Angle
Projection

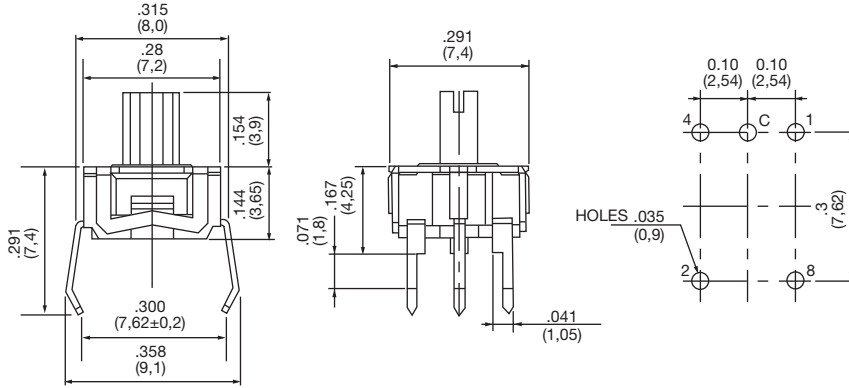


Dimensions are shown: Inch (mm)
Specifications and dimensions subject to change

RTE Series Low Profile Rotary DIP Switches

TERMINATIONS

M OPTION



H
DIP

SWITCH FUNCTION

0 SINGLE POLE

| POS. | 1 | 2 | 3 | 4 |
|------|---|---|---|---|
| C | ● | ● | ● | ● |
| 1 | ● | | | |
| 2 | | ● | | |
| 3 | | | ● | |
| 4 | | | | ● |

1 BCD CODE

| POS. | 0 | 1 | 2 | 3 | 4 | 5 | 6 | 7 | 8 | 9 |
|------|---|---|---|---|---|---|---|---|---|---|
| C | ● | ● | ● | ● | ● | ● | ● | ● | ● | ● |
| 1 | | ● | | | | ● | | | | |
| 2 | | | ● | | | | ● | | | |
| 4 | | | | ● | ● | ● | | | | |
| 8 | | | | | | | | ● | ● | |

2 BCD COMPLEMENT CODE

| POS. | 0 | 1 | 2 | 3 | 4 | 5 | 6 | 7 | 8 | 9 |
|------|---|---|---|---|---|---|---|---|---|---|
| C | ● | ● | ● | ● | ● | ● | ● | ● | ● | ● |
| 1 | ● | | | | ● | | | | ● | |
| 2 | ● | | ● | | | ● | | | | ● |
| 4 | ● | ● | ● | | | | | | | ● |
| 8 | ● | ● | ● | ● | ● | ● | ● | ● | | |

Other codes available by request.

3 GREY CODE (for RTE10 only)

| POS. | 0 | 1 | 2 | 3 | 4 | 5 | 6 | 7 | 8 | 9 |
|------|---|---|---|---|---|---|---|---|---|---|
| C | ● | ● | ● | ● | ● | ● | ● | ● | ● | ● |
| 1 | | ● | ● | | | ● | | | | ● |
| 2 | | | ● | ● | ● | | | | | |
| 4 | | | | ● | ● | ● | ● | ● | ● | |
| 8 | | | | | | | | | ● | ● |

4 HEXADECIMAL CODE

| POS. | 0 | 1 | 2 | 3 | 4 | 5 | 6 | 7 | 8 | 9 | 10 | 11 | 12 | 13 | 14 | 15 |
|------|---|---|---|---|---|---|---|---|---|---|----|----|----|----|----|----|
| C | ● | ● | ● | ● | ● | ● | ● | ● | ● | ● | ● | ● | ● | ● | ● | ● |
| 1 | | ● | | ● | | ● | | ● | | ● | | ● | | ● | | ● |
| 2 | | | ● | ● | | | ● | | | | ● | | ● | | ● | |
| 4 | | | | ● | ● | ● | ● | | | | | ● | ● | ● | ● | |
| 8 | | | | | | | | | ● | ● | ● | ● | ● | ● | ● | ● |

7 GREY CODE (for RTE04 only)

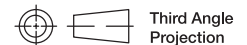
| POS. | 1 | 2 | 3 | 4 |
|------|---|---|---|---|
| C | ● | ● | ● | ● |
| 1 | ● | | | |
| 2 | | ● | | |
| 4 | | | ● | |
| 8 | | | | ● |

(for RTE16 only)

| POS. | 0 | 1 | 2 | 3 | 4 | 5 | 6 | 7 | 8 | 9 | A | B | C | D | E | F |
|------|---|---|---|---|---|---|---|---|---|---|---|---|---|---|---|---|
| C | ● | ● | ● | ● | ● | ● | ● | ● | ● | ● | ● | ● | ● | ● | ● | ● |
| 1 | | ● | | ● | | ● | | ● | | ● | | ● | | ● | | ● |
| 2 | | | ● | ● | | | ● | | | | ● | | ● | | ● | |
| 4 | | | | ● | ● | ● | ● | | | | | ● | ● | ● | ● | |
| 8 | | | | | | | | | ● | ● | ● | ● | ● | ● | ● | ● |

CONTACT MATERIAL

| OPTION CODE | RoHS COMPLIANT | RoHS COMPATIBLE | CONTACT MATERIAL | TERMINAL PLATING |
|-------------|----------------|-----------------|------------------|------------------|
| 4 | YES | YES | GOLD | LEAD FREE TIN |



Third Angle Projection



Dimensions are shown: Inch (mm)
Specifications and dimensions subject to change

RTE Series Low Profile Rotary DIP Switches

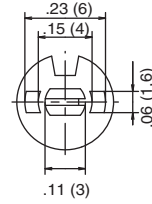
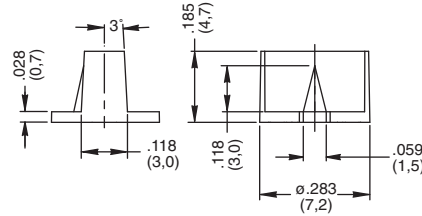
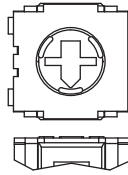


DIP H

BUTTONS AVAILABLE

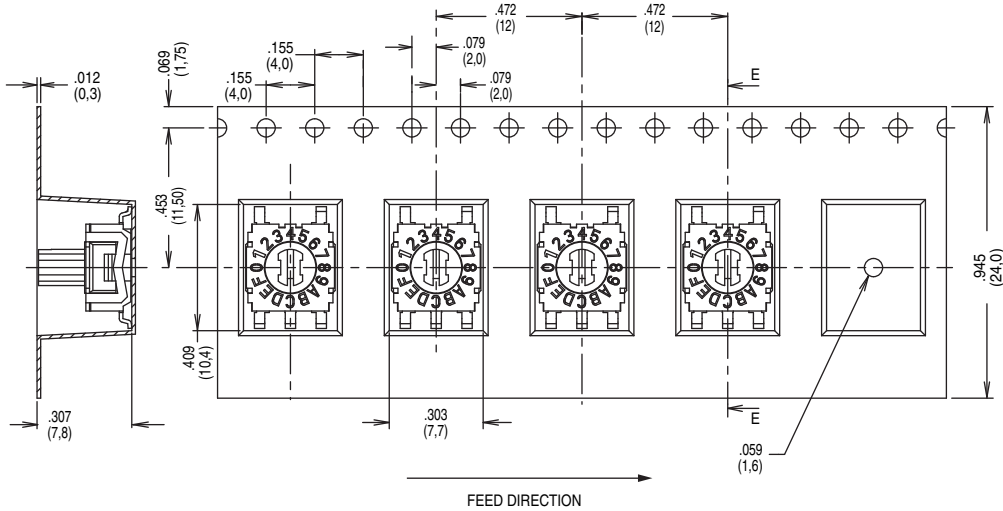
Buttons are ordered separately, shipped in bulk.

| Part Number | Color |
|-------------------|-------|
| BTN RTE 40 | Red |
| BTN RTE 50 | Green |
| BTN RTE 90 | Black |

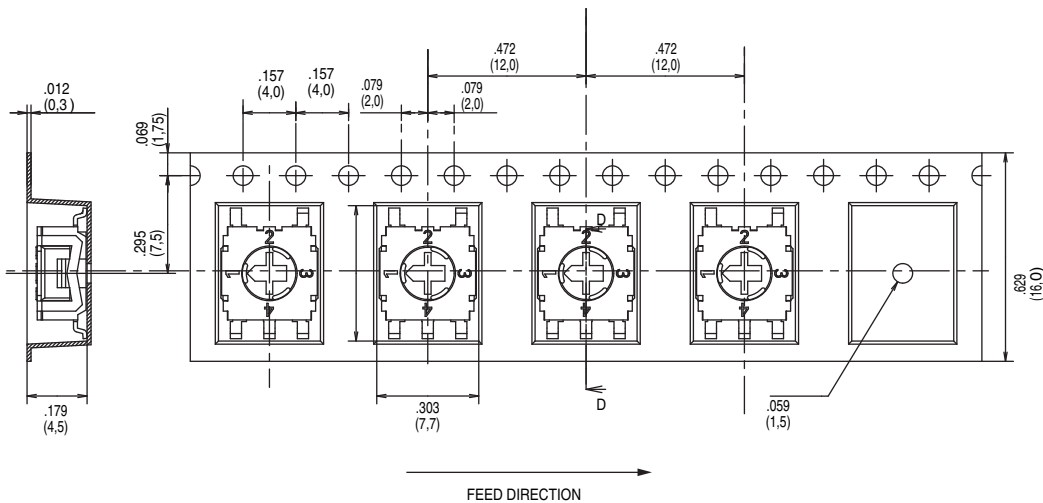


TAPE AND REEL

Tape and reel for RTExx02Gxx
750 pieces per reel.



Tape and reel for RTExx00Gxx
1,250 pieces per reel.



Dimensions are shown: Inch (mm)
Specifications and dimensions subject to change

