

D6 SPST Momentary Key Switches



Features/Benefits

- Easy X, Y coding on single side PCB
- Positive tactile feedback
- High temperature type available
- Wide variety of colors & styles

Typical Applications

- Automotive
- Video
- Electronic games
- Appliances

Construction

FUNCTION: momentary
 CONTACT ARRANGEMENT: 1 make contact (SPST), NO
 DISTANCE BETWEEN BUTTON CENTERS, MIN.: 12,7 (0.500)
 TERMINALS: PC pins

Electrical

SWITCHING POWER MAX.: 6 VA
 SWITCHING VOLTAGE MAX.: 100 V DC
 SWITCHING CURRENT MAX.: 100 mA DC
 DIELECTRIC STRENGTH (50 Hz / 1 min): 1000 V
 OPERATING LIFE with max. switching power: $\geq 2.5 \times 10^6$ operations
 CONTACT RESISTANCE: $\leq 100 \text{ m}\Omega$
 INSULATION RESISTANCE: $\geq 10^{11} \Omega$
 BOUNCE TIME: $\leq 3 \text{ ms}$

Mechanical

SWITCHING TRAVEL: $0,8 \pm 0,2$ (0.0301 \pm 0.0078)
 OPERATING FORCE: $1.3 \text{ N} \pm 30\%$ (130 grams \pm 30%)

Environmental

OPERATING TEMPERATURE: -20°C to 85°C.

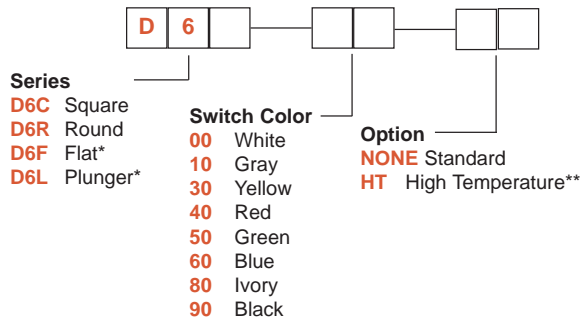
Process

SOLDERABILITY:
 Hand soldering: 350°C for 3 seconds
 Wave or bath soldering: 225°C for 5 seconds
 High Temperature version: 260°C for 5 seconds**
 Cleaning: Use solvents compatible with ABS

How To Order

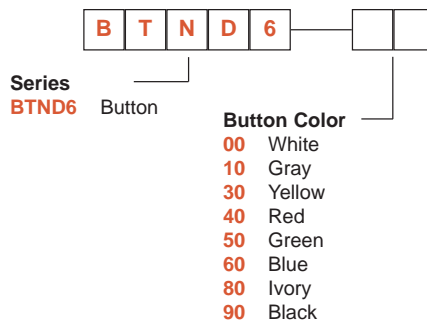
Our easy build-a-switch concept allows you to mix and match options to create the switch you need. To order, select desired option from each category and place it in the appropriate box.

Switch



*Available in black only.
 ** Only available in red, blue and black

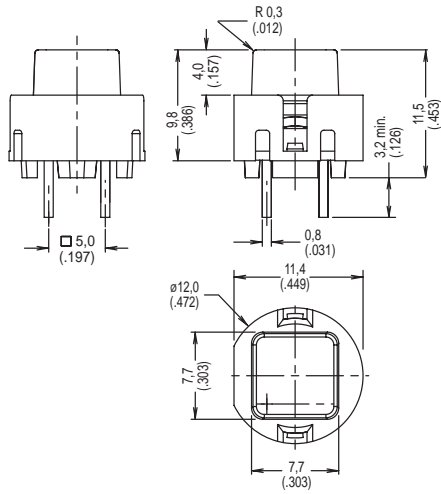
Buttons can be ordered separately. Shipped in bulk.



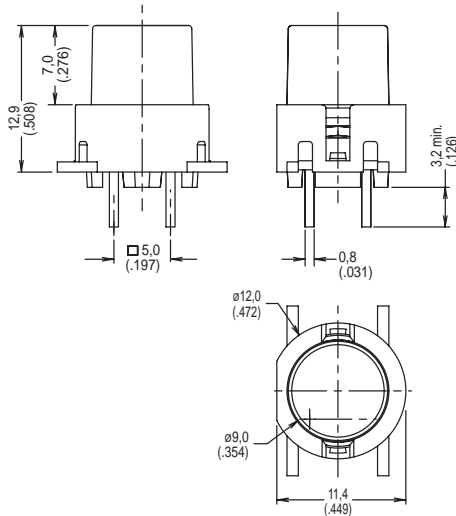
D6 SPST Momentary Key Switches

SERIES 

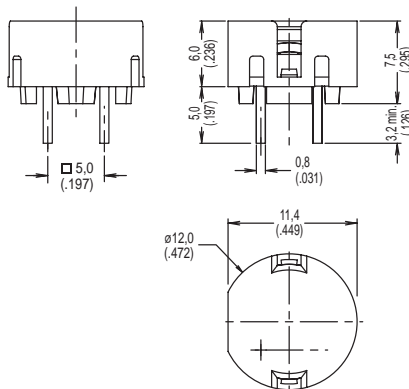
D6C



D6R



D6F Only available in black

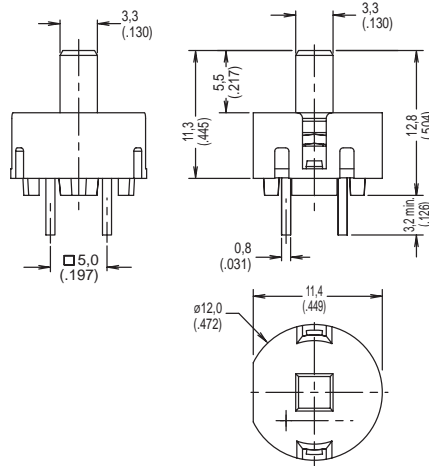


Dimensions shown in: mm (Inch)
Dimensions subject to change

D6 SPST Momentary Key Switches

SERIES 

D6L Only available in black



SWITCH COLORS 

| OPTION CODE | SWITCH COLOR |
|-------------|--------------|
| 00 | WHITE |
| 10 | GRAY |
| 30 | YELLOW |
| 40 | RED |
| 50 | GREEN |
| 60 | BLUE |
| 80 | IVORY |
| 90 | BLACK |

OPTION 

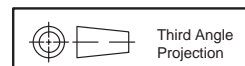
NONE STANDARD

HT HIGH TEMPERATURE



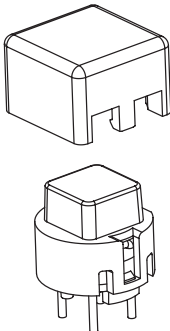
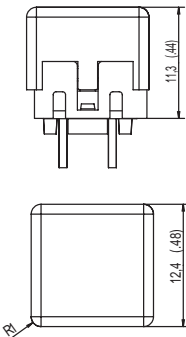
D

Key Switches



BUTTON AVAILABLE

BTND6 Buttons must be ordered separately. Shipped in bulk.



| OPTION CODE | BUTTON COLOR |
|-------------|--------------|
| 00 | WHITE |
| 10 | GRAY |
| 30 | YELLOW |
| 40 | RED |
| 50 | GREEN |
| 60 | BLUE |
| 80 | IVORY |
| 90 | BLACK |



Key Switches