

L, S-BAND SPDT SWITCH

DESCRIPTION

The μ PG2159T6R is a GaAs MMIC for L, S-band SPDT (Single Pole Double Throw) switch which was developed for mobile phone and another L, S-band applications.

This device can operate 2 control switching by control voltage 1.8 to 3.3 V. This device can operate frequency from 0.05 GHz to 3.0 GHz, having the low insertion loss and high isolation.

This device is housed in a 6-pin plastic TSSON (Thin Shrink Small Out-line Non-leaded) (T6R) package. And this package is able to high-density surface mounting.

FEATURES

- Switch control voltage : $V_{\text{cont (H)}} = 1.8$ to 3.3 V (2.7 V TYP.)
: $V_{\text{cont (L)}} = -0.2$ to 0.2 V (0 V TYP.)
- Low insertion loss : $L_{\text{ins1}} = 0.20$ dB TYP. @ $f = 0.05$ to 0.5 GHz, $V_{\text{cont (H)}} = 2.7$ V, $V_{\text{cont (L)}} = 0$ V
: $L_{\text{ins2}} = 0.21$ dB TYP. @ $f = 0.5$ to 1.0 GHz, $V_{\text{cont (H)}} = 2.7$ V, $V_{\text{cont (L)}} = 0$ V
: $L_{\text{ins3}} = 0.23$ dB TYP. @ $f = 1.0$ to 2.0 GHz, $V_{\text{cont (H)}} = 2.7$ V, $V_{\text{cont (L)}} = 0$ V
: $L_{\text{ins4}} = 0.25$ dB TYP. @ $f = 2.0$ to 2.5 GHz, $V_{\text{cont (H)}} = 2.7$ V, $V_{\text{cont (L)}} = 0$ V
: $L_{\text{ins5}} = 0.27$ dB TYP. @ $f = 2.5$ to 3.0 GHz, $V_{\text{cont (H)}} = 2.7$ V, $V_{\text{cont (L)}} = 0$ V
- High isolation : $ISL1 = 27$ dB TYP. @ $f = 0.05$ to 0.5 GHz, $V_{\text{cont (H)}} = 2.7$ V, $V_{\text{cont (L)}} = 0$ V
: $ISL2 = 27$ dB TYP. @ $f = 0.5$ to 1.0 GHz, $V_{\text{cont (H)}} = 2.7$ V, $V_{\text{cont (L)}} = 0$ V
: $ISL3 = 27$ dB TYP. @ $f = 1.0$ to 2.0 GHz, $V_{\text{cont (H)}} = 2.7$ V, $V_{\text{cont (L)}} = 0$ V
: $ISL4 = 27$ dB TYP. @ $f = 2.0$ to 2.5 GHz, $V_{\text{cont (H)}} = 2.7$ V, $V_{\text{cont (L)}} = 0$ V
: $ISL5 = 27$ dB TYP. @ $f = 2.5$ to 3.0 GHz, $V_{\text{cont (H)}} = 2.7$ V, $V_{\text{cont (L)}} = 0$ V
- Handling power : $P_{\text{in (1 dB)}} = +25.5$ dBm TYP. @ $f = 0.5$ to 3.0 GHz, $V_{\text{cont (H)}} = 2.7$ V, $V_{\text{cont (L)}} = 0$ V
: $P_{\text{in (0.1 dB)}} = +22.0$ dBm TYP. @ $f = 0.5$ to 3.0 GHz, $V_{\text{cont (H)}} = 2.7$ V, $V_{\text{cont (L)}} = 0$ V
- High-density surface mounting : 6-pin plastic TSSON (T6R) package ($1.0 \times 1.0 \times 0.37$ mm)

APPLICATIONS

- L, S-band digital cellular or cordless telephone
- W-LAN and Bluetooth™

ORDERING INFORMATION

Part Number	Order Number	Package	Marking	Supplying Form
μ PG2159T6R-E2	μ PG2159T6R-E2-A	6-pin plastic TSSON (T6R) (Pb-Free)	G7	<ul style="list-style-type: none"> • Embossed tape 8 mm wide • Pin 1, 6 face the perforation side of the tape • Qty 5 kpcs/reel

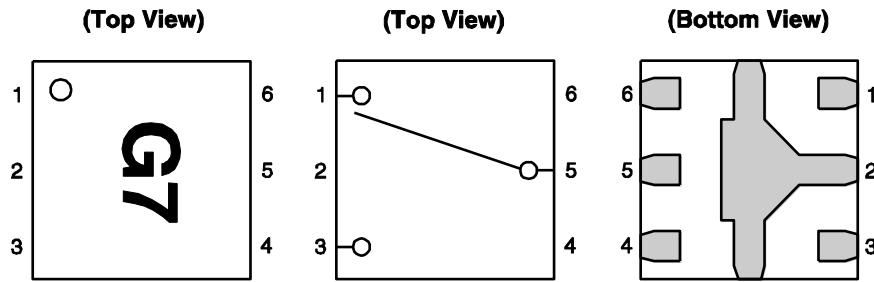
Remark To order evaluation samples, contact your nearby sales office.

Part number for sample order: μ PG2159T6R-A

Caution: Observe precautions when handling because these devices are sensitive to electrostatic discharge

The information in this document is subject to change without notice. Before using this document, please confirm that this is the latest version.

PIN CONNECTIONS AND INTERNAL BLOCK DIAGRAM



Pin No.	Pin Name
1	OUTPUT1
2	GND
3	OUTPUT2
4	V _{cont2}
5	INPUT
6	V _{cont1}

Remark Exposed pad : GND

TRUTH TABLE

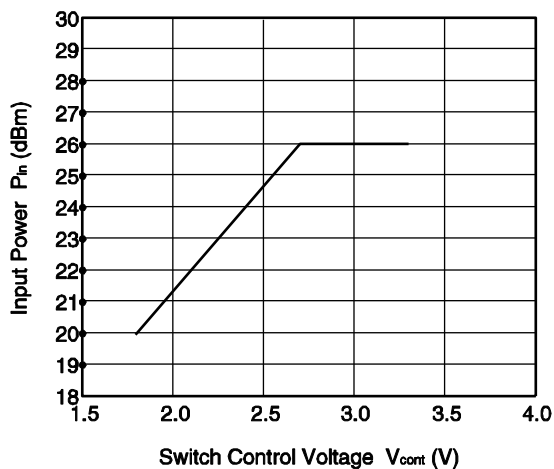
V _{cont1}	V _{cont2}	INPUT-OUTPUT1	INPUT-OUTPUT2
Low	High	OFF	ON
High	Low	ON	OFF

ABSOLUTE MAXIMUM RATINGS (T_A = +25°C, unless otherwise specified)

Parameter	Symbol	Ratings	Unit
Switch Control Voltage	V _{cont}	6.0 ^{Note1}	V
Input Power	P _{in}	+26.0 ^{Note2, 4}	dBm
Input Power	P _{in}	+8 + V _{cont} * 20/3 ^{Note3, 4}	dBm
Operating Ambient Temperature	T _A	-45 to +85	°C
Storage Temperature	T _{stg}	-55 to +150	°C

- Notes 1.** $|V_{cont1} - V_{cont2}| \leq 6.0\text{ V}$
2. $2.7\text{ V} \leq |V_{cont1} - V_{cont2}| \leq 3.3\text{ V}$
3. $1.8\text{ V} \leq |V_{cont1} - V_{cont2}| \leq 2.7\text{ V}$
4. Please refer to following chart.

INPUT POWER vs. SWITCH CONTROL VOLTAGE



Remark The graph indicates nominal characteristics.

RECOMMENDED OPERATING RANGE (T_A = +25°C, unless otherwise specified)

Parameter	Symbol	MIN.	TYP.	MAX.	Unit
Switch Control Voltage (H)	V _{cont (H)}	1.8	2.7	3.3	V
Switch Control Voltage (L)	V _{cont (L)}	-0.2	0	+0.2	V

ELECTRICAL CHARACTERISTICS 1

(T_A = +25°C, V_{cont (H)} = 2.7 V, V_{cont (L)} = 0 V, DC cut capacitors = 56 pF, unless otherwise specified)

Parameter	Symbol	Test Conditions	MIN.	TYP.	MAX.	Unit
Insertion Loss 1	L _{ins1}	f = 0.05 to 0.5 GHz ^{Note1}	-	0.20	0.35	dB
Insertion Loss 2	L _{ins2}	f = 0.5 to 1.0 GHz	-	0.21	0.35	dB
Insertion Loss 3	L _{ins3}	f = 1.0 to 2.0 GHz	-	0.23	0.40	dB
Insertion Loss 4	L _{ins4}	f = 2.0 to 2.5 GHz	-	0.25	0.42	dB
Insertion Loss 5	L _{ins5}	f = 2.5 to 3.0 GHz	-	0.27	0.45	dB
Isolation 1	ISL1	f = 0.05 to 0.5 GHz ^{Note1}	24	27	-	dB
Isolation 2	ISL2	f = 0.5 to 1.0 GHz	24	27	-	dB
Isolation 3	ISL3	f = 1.0 to 2.0 GHz	24	27	-	dB
Isolation 4	ISL4	f = 2.0 to 2.5 GHz	24	27	-	dB
Isolation 5	ISL5	f = 2.5 to 3.0 GHz	24	27	-	dB
Input Return Loss 1	RL _{in1}	f = 0.05 to 0.5 GHz ^{Note1}	15	20	-	dB
Input Return Loss 2	RL _{in2}	f = 0.5 to 3.0 GHz	15	20	-	dB
Output Return Loss 1	RL _{out1}	f = 0.05 to 0.5 GHz ^{Note1}	15	20	-	dB
Output Return Loss 2	RL _{out2}	f = 0.5 to 3.0 GHz	15	20	-	dB
0.1 dB Loss Compression Input Power ^{Note2}	P _{in (0.1 dB)}	f = 2.0 GHz/2.5 GHz	+20.0	+22.0	-	dBm
		f = 0.5 to 3.0 GHz	-	+22.0	-	dBm
1 dB Loss Compression Input Power ^{Note3}	P _{in (1 dB)}	f = 0.5 to 3.0 GHz	-	+25.5	-	dBm
2nd Harmonics	2f ₀	f = 2.0 GHz/2.5 GHz, P _{in} = +10 dBm	65	77	-	dBc
3rd Harmonics	3f ₀	f = 2.0 GHz/2.5 GHz, P _{in} = +10 dBm	60	80	-	dBc
Input 3rd Order Intercept Point	IIP ₃	f = 0.5 to 3.0 GHz, 2 tone 5 MHz spacing	-	+49.0	-	dBm
Switch Control Current	I _{cont}		-	0.2	1.0	μA
Switch Control Speed	t _{sw}	50% CTL to 90/10%	-	20	200	ns

Notes 1. DC cut capacitors = 1 000 pF at f = 0.05 to 0.5 GHz

- 2.** P_{in (0.1 dB)} is measured the input power level when the insertion loss increases more 0.1 dB than that of linear range.
- 3.** P_{in (1 dB)} is measured the input power level when the insertion loss increases more 1 dB than that of linear range.

Caution This device is used it is necessary to use DC cut capacitors.

ELECTRICAL CHARACTERISTICS 2

(T_A = +25°C, V_{cont} (H) = 1.8 V, V_{cont} (L) = 0 V, DC cut capacitors = 56 pF, unless otherwise specified)

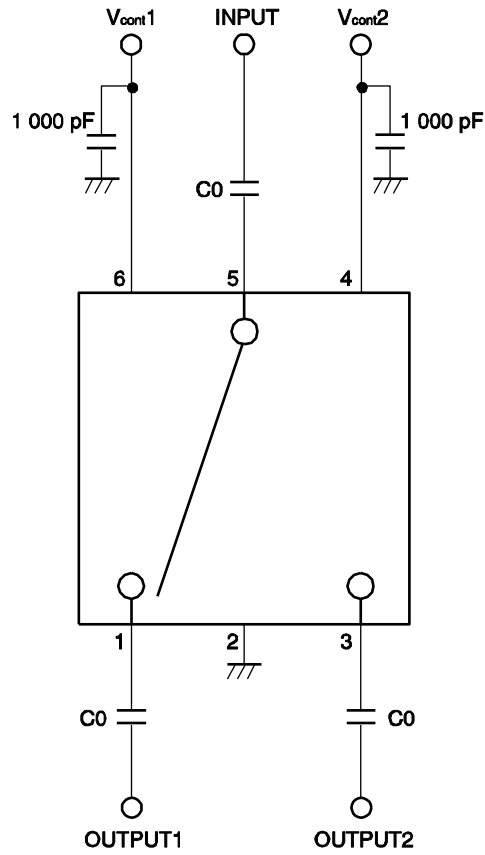
Parameter	Symbol	Test Conditions	MIN.	TYP.	MAX.	Unit
Insertion Loss 6	L _{ins6}	f = 0.05 to 0.5 GHz ^{Note1}	–	0.21	0.36	dB
Insertion Loss 7	L _{ins7}	f = 0.5 to 1.0 GHz	–	0.22	0.37	dB
Insertion Loss 8	L _{ins8}	f = 1.0 to 2.0 GHz	–	0.24	0.41	dB
Insertion Loss 9	L _{ins9}	f = 2.0 to 2.5 GHz	–	0.26	0.43	dB
Insertion Loss 10	L _{ins10}	f = 2.5 to 3.0 GHz	–	0.28	0.46	dB
Isolation 6	ISL6	f = 0.05 to 0.5 GHz ^{Note1}	23	26	–	dB
Isolation 7	ISL7	f = 0.5 to 1.0 GHz	23	26	–	dB
Isolation 8	ISL8	f = 1.0 to 2.0 GHz	23	26	–	dB
Isolation 9	ISL9	f = 2.0 to 2.5 GHz	23	26	–	dB
Isolation 10	ISL10	f = 2.5 to 3.0 GHz	23	26	–	dB
Input Return Loss 3	RL _{in3}	f = 0.05 to 0.5 GHz ^{Note1}	15	20	–	dB
Input Return Loss 4	RL _{in4}	f = 0.5 to 3.0 GHz	15	20	–	dB
Output Return Loss 3	RL _{out3}	f = 0.05 to 0.5 GHz ^{Note1}	15	20	–	dB
Output Return Loss 4	RL _{out4}	f = 0.5 to 3.0 GHz	15	20	–	dB
0.1 dB Loss Compression Input Power ^{Note2}	P _{in (0.1 dB)}	f = 2.0 GHz/2.5 GHz	+12	+15.5	–	dBm
		f = 0.5 to 3.0 GHz	–	+15.5	–	dBm
1 dB Loss Compression Input Power ^{Note3}	P _{in (1 dB)}	f = 0.5 to 3.0 GHz	–	+19.5	–	dBm
Switch Control Current	I _{cont}	RF None	–	0.2	1.0	μA
Switch Control Speed	t _{sw}	50% CTL to 90/10% RF	–	20	200	ns

Notes 1. DC cut capacitors = 1 000 pF at f = 0.05 to 0.5 GHz

- 2.** P_{in (0.1 dB)} is measured the input power level when the insertion loss increases more 0.1 dB than that of linear range.
- 3.** P_{in (1 dB)} is measured the input power level when the insertion loss increases more 1 dB than that of linear range.

Caution This device is used it is necessary to use DC cut capacitors.

EVALUATION CIRCUIT



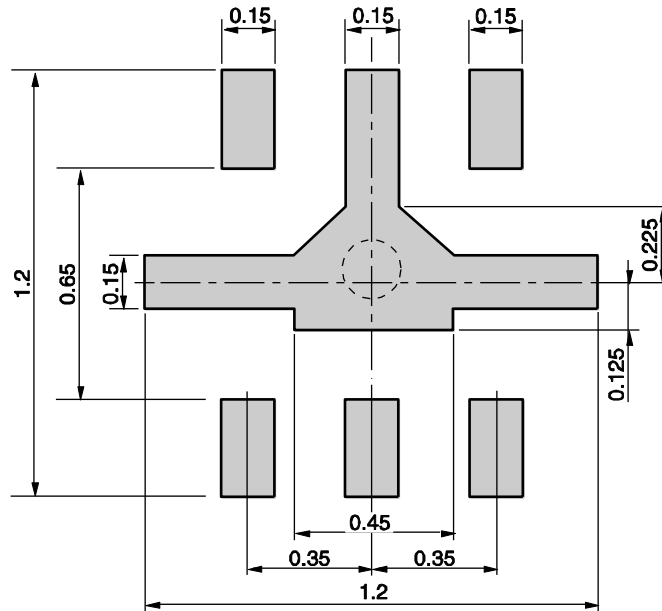
Remark C0 : 0.05 to 0.5 GHz 1 000 pF
 : 0.5 to 3.0 GHz 56 pF

The application circuits and their parameters are for reference only and are not intended for use in actual design-ins.

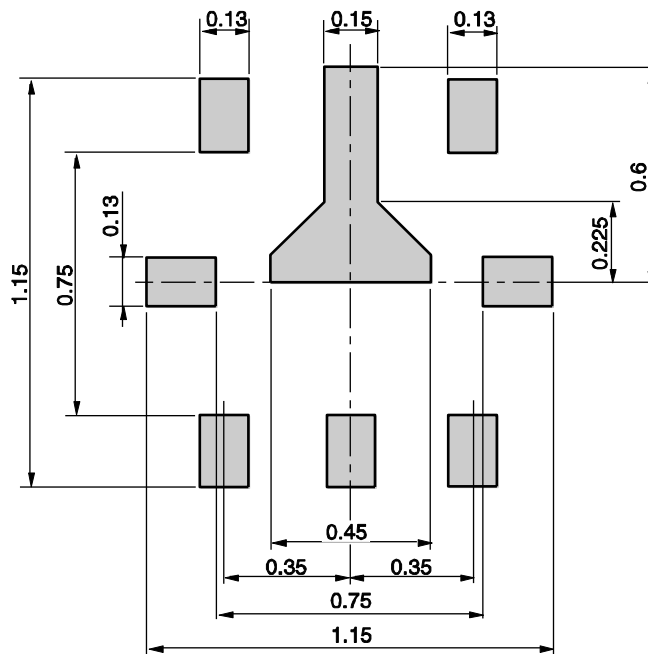
MOUNTING PAD AND SOLDER MASK LAYOUT DIMENSIONS

6-PIN PLASTIC TSSOP (T6R) (UNIT: mm)

MOUNTING PAD



SOLDER MASK



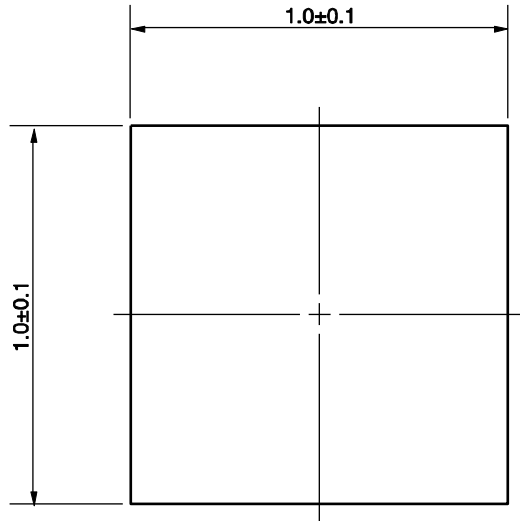
Solder thickness : 0.08 mm

Remark The mounting pad and solder mask layouts in this document are for reference only.

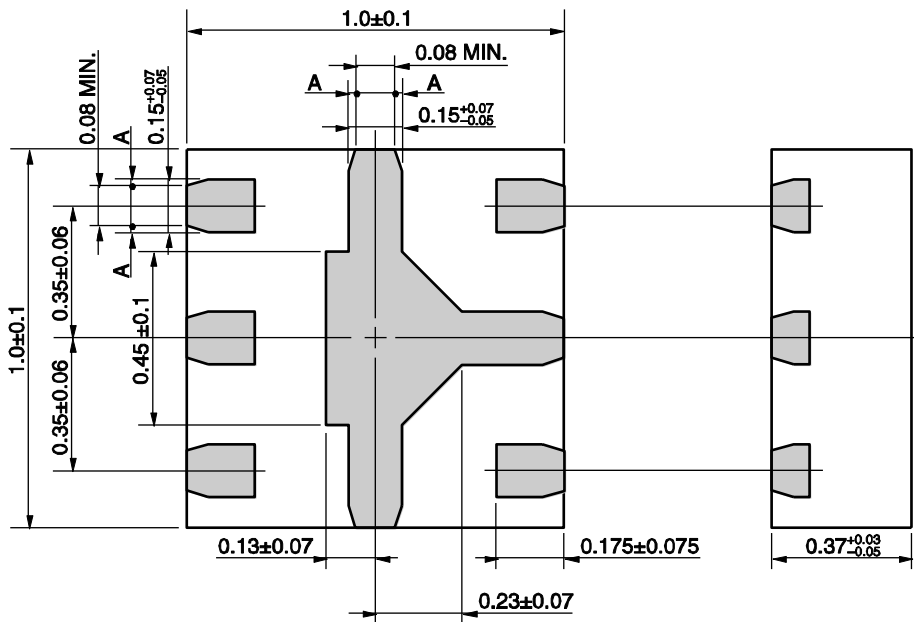
PACKAGE DIMENSIONS

6-PIN PLASTIC TSSOP (T6R) (UNIT: mm)

(Top View)



(Bottom View)



Remark A > 0

RECOMMENDED SOLDERING CONDITIONS

This product should be soldered and mounted under the following recommended conditions. For soldering methods and conditions other than those recommended below, contact your nearby sales office.

Soldering Method	Soldering Conditions	Condition Symbol
Infrared Reflow	Peak temperature (package surface temperature) : 260°C or below Time at peak temperature : 10 seconds or less Time at temperature of 220°C or higher : 60 seconds or less Preheating time at 120 to 180°C : 120±30 seconds Maximum number of reflow processes : 3 times Maximum chlorine content of rosin flux (% mass) : 0.2%(Wt.) or below	IR260
Wave Soldering	Peak temperature (molten solder temperature) : 260°C or below Time at peak temperature : 10 seconds or less Preheating temperature (package surface temperature) : 120°C or below Maximum number of flow processes : 1 time Maximum chlorine content of rosin flux (% mass) : 0.2%(Wt.) or below	WS260
Partial Heating	Peak temperature (terminal temperature) : 350°C or below Soldering time (per side of device) : 3 seconds or less Maximum chlorine content of rosin flux (% mass) : 0.2%(Wt.) or below	HS350

Caution Do not use different soldering methods together (except for partial heating).

<p>Caution</p>	<p>GaAs Products</p>	<p>This product uses gallium arsenide (GaAs). GaAs vapor and powder are hazardous to human health if inhaled or ingested, so please observe the following points.</p> <ul style="list-style-type: none"> • Follow related laws and ordinances when disposing of the product. If there are no applicable laws and/or ordinances, dispose of the product as recommended below. <ol style="list-style-type: none"> 1. Commission a disposal company able to (with a license to) collect, transport and dispose of materials that contain arsenic and other such industrial waste materials. 2. Exclude the product from general industrial waste and household garbage, and ensure that the product is controlled (as industrial waste subject to special control) up until final disposal. • Do not burn, destroy, cut, crush, or chemically dissolve the product. • Do not lick the product or in any way allow it to enter the mouth.
-----------------------	----------------------	---