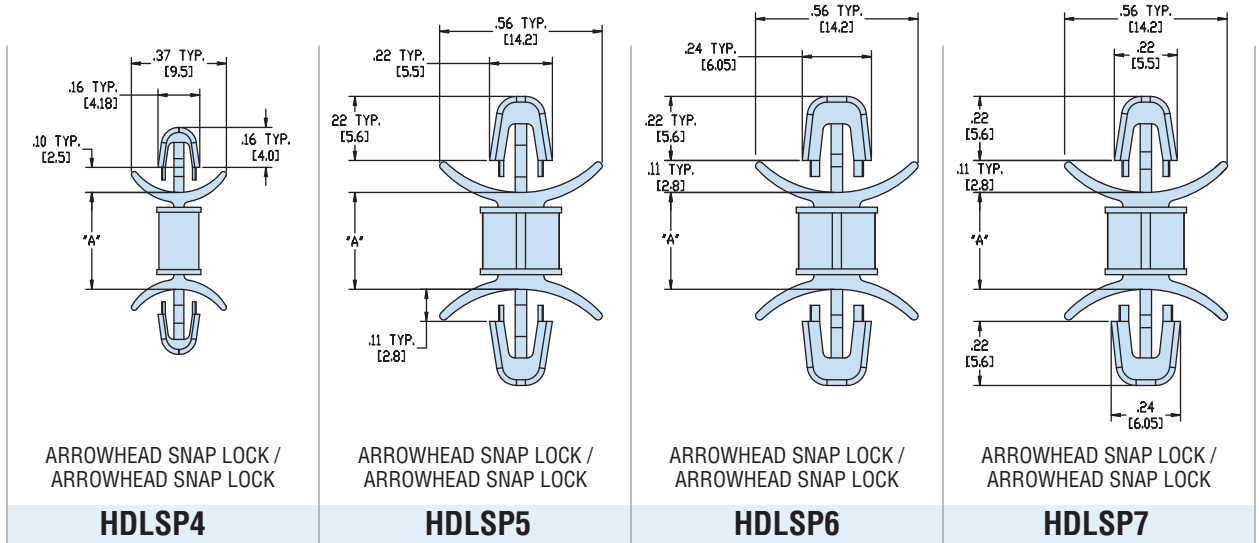




Heyco® Nylon PCB Supports - Imperial Spacing



	Maximum Thickness		Mounting Hole Diameter		Maximum Thickness		Mounting Hole Diameter		Maximum Thickness		Mounting Hole Diameter		Maximum Thickness		Mounting Hole Diameter	
	in.	mm.	in.	mm.	in.	mm.	in.	mm.	in.	mm.	in.	mm.	in.	mm.	in.	mm.
PCB	.078	2,0	.125	3,2	.078	2,0	.157	4,0	.078	2,0	.187	4,8	.078	2,0	.157	4,0
Chassis	.078	2,0	.125	3,2	.078	2,0	.157	4,0	.078	2,0	.187	4,8	.078	2,0	.187	4,8

A	PART NO.	DESCRIPTION	PART NO.	DESCRIPTION	PART NO.	DESCRIPTION	PART NO.	DESCRIPTION	
									in.
.187	4,8	10199	HDLSP4-03	10209	HDLSP5-03	10217	HDLSP6-03	10225	HDLSP7-03
.250	6,4	10200	HDLSP4-04	10210	HDLSP5-04	10218	HDLSP6-04	10226	HDLSP7-04
.312	7,9	10201	HDLSP4-05						
.375	9,5	10202	HDLSP4-06	10211	HDLSP5-06	10219	HDLSP6-06	10227	HDLSP7-06
.437	11,1	10203	HDLSP4-07						
.500	12,7	10204	HDLSP4-08	10212	HDLSP5-08	10220	HDLSP6-08	10228	HDLSP7-08
.562	14,3	10205	HDLSP4-09						
.625	15,9	10206	HDLSP4-10	10213	HDLSP5-10	10221	HDLSP6-10	10229	HDLSP7-10
.750	19,1			10214	HDLSP5-12	10222	HDLSP6-12	10230	HDLSP7-12
.875	22,2	10207	HDLSP4-14	10215	HDLSP5-14	10223	HDLSP6-14	10231	HDLSP7-14

Standard color natural. For special order parts in UL 94V-0 natural material, add the suffix “F” to Part No.

Quick Specs

Material: Nylon 6/6
 Flammability Rating: 94V-2
 Temperature Range: .4°F (-18°C) to 185°F (85°C)