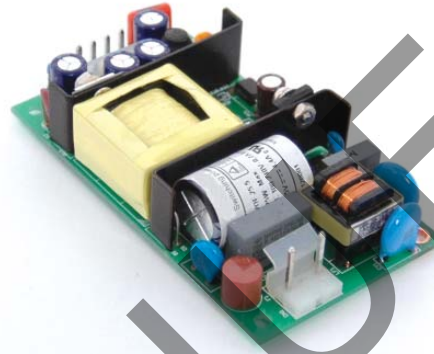


SERIES: VOF-25 | **DESCRIPTION:** AC-DC POWER SUPPLY

FEATURES

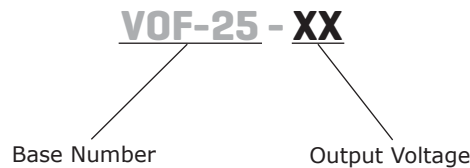
- up to 25 W continuous power
- compact size
- universal input (85~264 Vac)
- single output from 3.3~24 V
- user trimmable output voltage
- 3000 V isolation
- over current, over voltage, and short circuit protections
- UL/cUL and TUV 60950-1 safety approvals
- efficiency up to 82%



| MODEL | output voltage | output current | output power | ripple ¹ and noise | efficiency |
|------------|----------------|----------------|--------------|-------------------------------|------------|
| | (Vdc) | max (A) | max (W) | max (mVp-p) | typ (%) |
| VOF-25-3.3 | 3.3 | 4.4 | 15 | 50 | 70 |
| VOF-25-5 | 5 | 4.4 | 22 | 50 | 73 |
| VOF-25-7.5 | 7.5 | 3.0 | 23 | 75 | 73 |
| VOF-25-9 | 9 | 2.7 | 24 | 90 | 77 |
| VOF-25-12 | 12 | 2.0 | 24 | 120 | 80 |
| VOF-25-15 | 15 | 1.6 | 24 | 150 | 80 |
| VOF-25-24 | 24 | 1.0 | 24 | 240 | 82 |

Notes: 1. Ripple & noise are measured at 20 MHz BW with 0.1 μ F ceramic cap and a 10 μ F electrolytic capacitors on the output and the two earth ground pads are connected to input earth ground.

PART NUMBER KEY



INPUT

| parameter | conditions/description | min | typ | max | units |
|----------------|-----------------------------------|-----|------|-----|-------|
| voltage | | 85 | | 264 | Vac |
| | | 120 | | 375 | Vdc |
| frequency | | 47 | | 63 | Hz |
| current | at 110 Vac | | 0.7 | | A |
| | at 220 Vac | | 0.35 | | A |
| inrush current | at 110 Vac, full load, cold start | | | 20 | A |
| | at 220 Vac, full load, cold start | | | 40 | A |
| input fuse | built-in, non-user serviceable | | | | |

OUTPUT

| parameter | conditions/description | min | typ | max | units |
|-------------------------|------------------------------------|-----|-------|-----|-------|
| line regulation | high line to low line at full load | | ±0.5 | | % |
| load regulation | full load to 10% load | | ±1 | | % |
| temperature coefficient | | | ±0.05 | | %/°C |
| hold-up time | 115 Vac at full load | 16 | | | ms |
| adjustability | adjustable with built-in trim pot | -5 | | +5 | % |
| switching frequency | | 45 | 50 | 55 | kHz |

PROTECTIONS

| parameter | conditions/description | min | typ | max | units |
|--------------------------|---|-----|-----|-----|-------|
| over voltage protection | clamped by TVS | | | 115 | % |
| over current protection | automatically recovers | | 105 | | %Io |
| short circuit protection | protected, long term short circuit may reduce reliability | | | | |

SAFETY & COMPLIANCE

| parameter | conditions/description | min | nom | max | units |
|----------------------|--|---------|-----|-----|-------|
| isolation voltage | primary to secondary for 1 minute | 3,000 | | | Vac |
| | primary to transformer core for 1 minute | 1,500 | | | Vac |
| | primary to ground for 1 minute | 1,500 | | | Vac |
| isolation resistance | input to output at 500 Vdc at 25°C | 50 | | | MΩ |
| safety approvals | TUV EN 60950, CE, UL/cUL 60950-1 | | | | |
| EMI/EMC | FCC class B, EN 55022 class B | | | | |
| leakage current | | | | 1.5 | mA |
| RoHS compliant | yes | | | | |
| MTBF | according to MIL-HDBK-217F | 250,000 | | | hours |

ENVIRONMENTAL

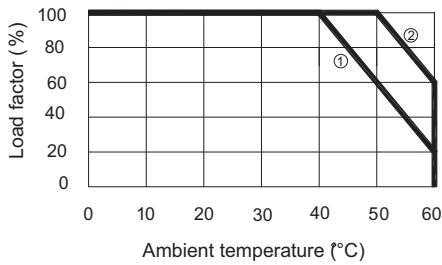
| parameter | conditions/description | min | nom | max | units |
|-----------------------|------------------------|-----|--------|-----|-------|
| operating temperature | see derating curve | 0 | | 60 | °C |
| storage temperature | | -20 | | 85 | °C |
| operating humidity | non-condensing | 20 | | 90 | % |
| storage humidity | non-condensing | 20 | | 95 | % |
| operating altitude | | | 10,000 | | ft |
| | | | 3,000 | | m |
| storage altitude | | | 30,000 | | ft |
| | | | 9,000 | | m |

MECHANICAL

| parameter | conditions/description | min | typ | max | units |
|----------------|---|-----|-----|------|-------|
| dimensions | 3.500 x 2.008 x 0.9803 (88.9 x 51 x 24.9 mm) | | | | inch |
| weight | | | | 0.09 | kg |
| cooling method | free air convection or forced air (see derating curves below) | | | | |

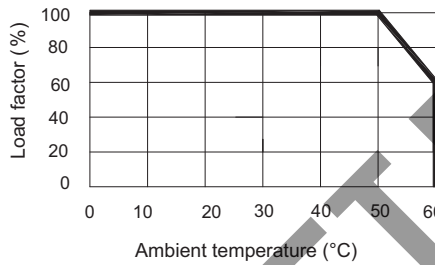
DERATING CURVES

1. output power vs. ambient temperature
a. 3.3, 5 V models



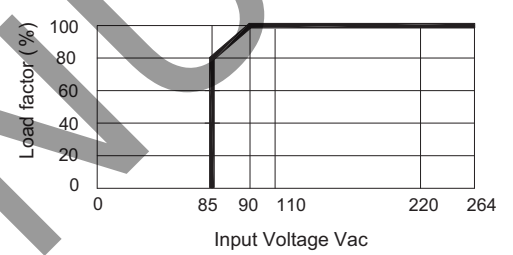
- ① Convection
- ② Forced air (0.5m³/min) (18 CFM)

b. all other models



- ① Forced air (0.5m³/min) (18 CFM)

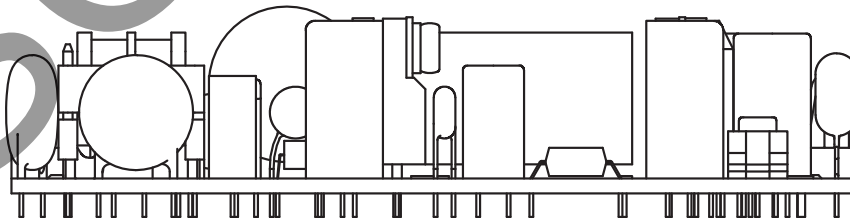
2. output power vs. input voltage
all models



MATING CONNECTORS

| parameter | conditions/description |
|-----------------|--|
| ac input (CN1) | mates with Molex housing 09-50-3031 with Molex 2878 series crimp contact |
| dc output (CN2) | mates with Molex housing 09-50-3041 with Molex 2878 series crimp contact |

MOUNTING METHOD



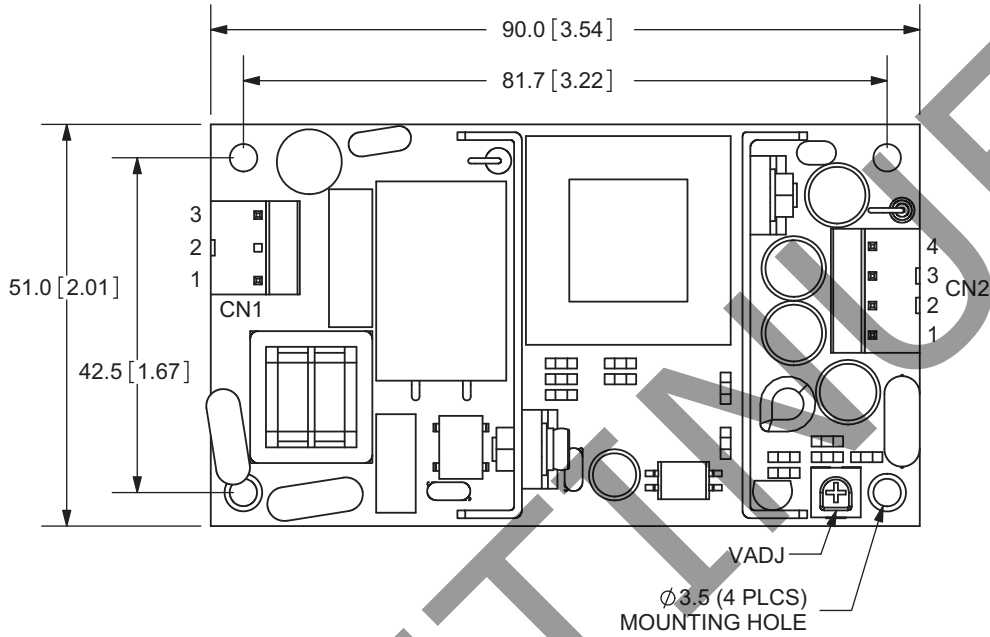
Horizontal

(performance evaluations conducted under this mounting method)

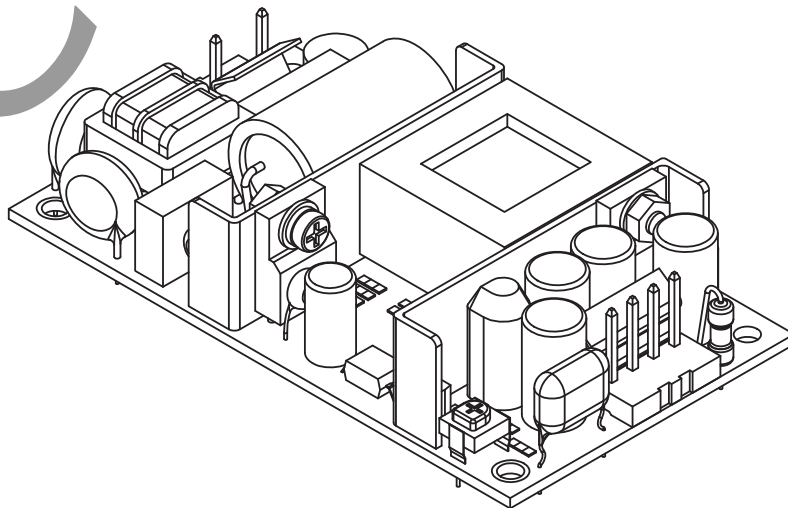
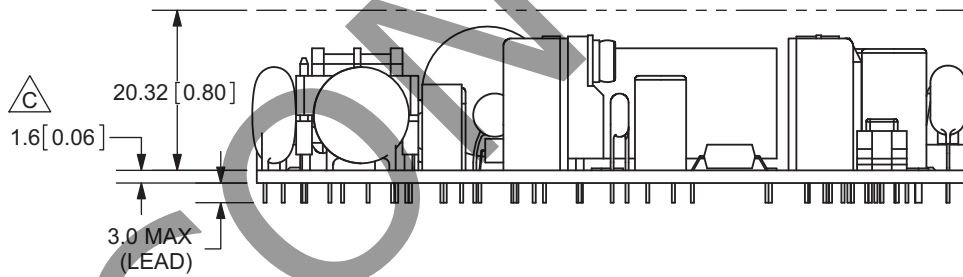
MECHANICAL DRAWING

units: mm [inches]
tolerance: ± 0.3 [± 0.01]

| CN1 | |
|-----|--------|
| 1 | L |
| 2 | no pin |
| 3 | N |



| CN2 | |
|-----|-----|
| 1 | -Vo |
| 2 | -Vo |
| 3 | +Vo |
| 4 | +Vo |



REVISION HISTORY

| rev. | description | date |
|------|---|------------|
| 1.0 | initial release | 04/03/2009 |
| 1.01 | corrected CN1 connector designation on mech drawing | 02/16/2010 |
| 1.02 | dimension added to drawing | 05/02/2011 |
| 1.03 | new template applied | 05/13/2011 |
| 1.04 | added MTBF data | 09/20/2011 |
| 1.05 | V-Infinity branding removed | 08/17/2012 |

The revision history provided is for informational purposes only and is believed to be accurate.



Headquarters
20050 SW 112th Ave.
Tualatin, OR 97062
800.275.4899

Fax 503.612.2383
cui.com
techsupport@cui.com

CUI offers a two (2) year limited warranty. Complete warranty information is listed on our website.

CUI reserves the right to make changes to the product at any time without notice. Information provided by CUI is believed to be accurate and reliable. However, no responsibility is assumed by CUI for its use, nor for any infringements of patents or other rights of third parties which may result from its use.

CUI products are not authorized or warranted for use as critical components in equipment that requires an extremely high level of reliability. A critical component is any component of a life support device or system whose failure to perform can be reasonably expected to cause the failure of the life support device or system, or to affect its safety or effectiveness.