

# SINGLE POLE ROCKER SWITCH

## TR Series



### Features

- 16A switching in 11mm wide package
- Lighted and non-lighted versions
- Available in a wide variety of colors
- Double-throw and three-position versions available
- Fits industry-standard cut-outs
- Mechanical life: min. 50,000 operations

### Specifications

#### Electrical

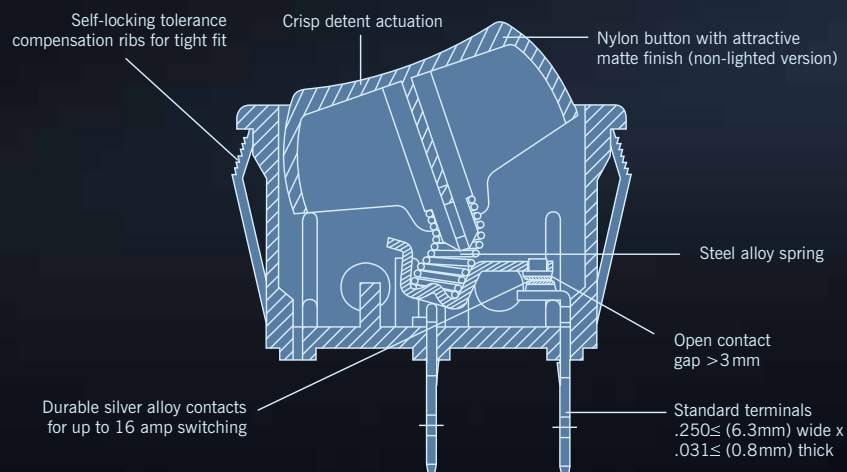
Dielectric Strength:	1000VAC for 1 minute
Insulation Resistance:	10 <sup>8</sup> ohms min at 500VDC
Initial Contact Resistance:	0.020 ohms max
Temperature Range:	-20°C to +65°C

#### Materials

Actuator (non-lighted):	Nylon 66 94V-2
Actuator (lighted):	Polycarbonate
Case:	Nylon 66 94V-2
Spring:	Steel Wire
Contacts:	Silver Alloy
Movable Arm:	Silver-Plated Copper Alloy
Fixed Contact Terminals:	Tin-Plated Copper Alloy

### Electrical Ratings

Switch Series	EN61058 Rating	UL1054 Rating	Electrical Life at Rated Load	
			According to VDE (Min. Operations)	According to UL (Min. Operations)
TR	16(4)A, 250V~, T85 1E4	16A, 125/250VAC, 1/4HP@125V; 3/4HP@250V	10,000	6,000





## Examples of Common Part Numbers and Descriptions inches (mm)

Part Number	Circuitry	Switch Function	Terminal Type	Actuator/Housing Color	Legend Marking
TRG22F2FBBNN		On – Off	0.250 (6.30) Quick-Connect	Black/Black	
TRG22F2BBRLN		On – Off/Lighted	0.250 (6.30) Quick-Connect	Red/Black	

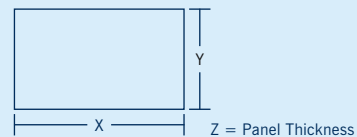
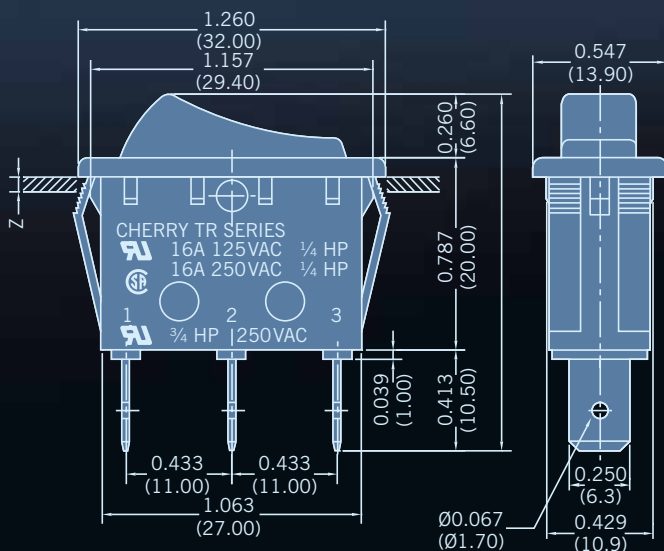
Boot #0015-0662

## Ordering Information

TR	G	2	2	F	2	F	B	B	N	N
<b>Series</b>	<b>Code</b> <b>Circuitry</b>	<b>Code</b> <b>Switch Function</b>	<b>Code</b> <b>Actuator Type</b>	<b>Code</b> <b>Housing Color</b>	<b>Code</b> <b>Lighted</b>	<b>Code</b> <b>Contact Rating</b>	<b>Code</b> <b>Actuator Marking</b>	<b>Code</b> <b>Actuator Color</b>	<b>Code</b> <b>Splashproof</b>	
	2 Single-Pole	2 On – Off 3 On – On 4 On – Off – On 5 (On) – Off 6 (On) – On	2 Curve 5 Flat	E Charcoal Grey Y Grey B Black W White C Brown	N Non-Lighted L Lighted (Bulb 125VAC) E Lighted (Bulb 250VAC) F Lighted 5VDC Incandescent G Lighted 6VDC Incandescent H Lighted 12VDC Incandescent	G 16A, 125/250VAC; 1/4HP@125V 3/4HP@250V (UL) 16A, 125/250VAC; 1/4HP@125/250VAC (CSA) 16(4)A, 250V~ (VDE)	B Blank C	Y Grey B Black G Green A Amber R Red W White C Brown E Charcoal Grey	N No Rocker Boot S Waterproof Boot	
		<b>Code</b> <b>Terminal Type</b> inches (mm)								
		F 0.250 (6.3) QC								

Specifications subject to change without notice.

## Dimensions inches (mm)



## Recommended Panel Cut-Out Dimensions

inches (mm)

Dim. Z	Dim. X	Dim. Y
0.030 to 0.049 (0.75 to 1.25)	1.19 (30.23)	0.433 (11.00)
0.049 to 0.079 (1.25 to 2.00)	1.20 (30.48)	0.433 (11.00)
0.079 to 0.118 (2.00 to 3.00)	1.21 (30.73)	0.433 (11.00)