

E/F6-series, E/F7-series panel mount switches



Electrical rating and operating life

| Switch series | Electrical rating according to EN 61058-1 | Electrical rating according to UL 1054 | Operating life at 40T85 (operations) | |
|---------------|---|---|--------------------------------------|------------|
| | | | acc. to EN | acc. to UL |
| E65 | N/A | 16A, 125/250 VAC; 1/3HP, 125/250 VAC | N/A | 6.000 |
| E/F68 | 0,1(0,05)A, 125 VAC | 0,1 A, 125 VAC | 50.000 | 6.000* |
| E/F69 | 10(4)A, 250 VAC | 10A, 125/250 VAC; 1/3HP, 125/250 VAC | 50.000 | 6.000* |
| E/F77 | 0,1(0.05)A, 125VAC; 10(4)A, 250VAC | 0,1 A, 125 VAC; 10A, 1/3 HP, 125/250 VAC | 50.000 | 6.000* |
| E/F78 | 0,1(0.05)A, 125 VAC | 0,1 A, 125 VAC | 50.000 | 6.000* |
| E/F79 | 10(4)A, 250 VAC | 10A, 125/250 VAC; 1/3HP, 125/250 VAC | 50.000 | 6.000* |
| E75 | N/A | 16A, 125/250 VAC; 1/3HP, 125/250 VAC; 0,1 AVAC, 0,1 AVDC (optional); mixed ratings available upon request | N/A | 6.000* |

* Indicates 100K life available.

Technical specifications

Electrical

Ambient temperature –40°C to +85°C

Flammability rating UL 94 V-0

Materials

Housing Thermoplastic Polyester, Valox (single pole versions)
Vandar (double pole versions)

Actuator **E-series** Thermoplastic Acetal
F-series Valox

Terminals* Brass

Moving blade Beryllium Copper

Spring Stainless steel

Contacts Silver-Cadmium Oxide (E65, E/F69, E75, E/F77, E/F79)
Gold Crosspoint (E/F68, E/F78)

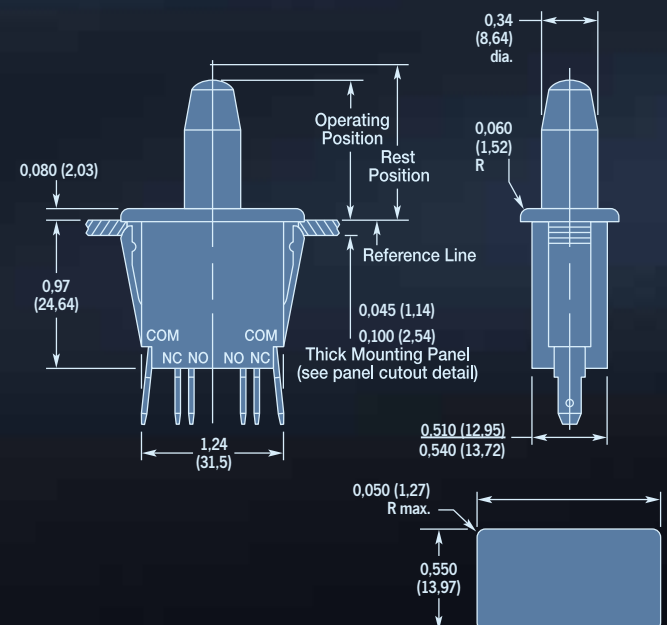
* Common terminals are plated – the remaining two terminals are not plated.

Features

- E/F6 – single pole versions
- E/F7 – double pole versions
- Choice of Momentary, Push-Pull (reset) and Cheat Interlock switches
- Snap-in panel mounting
- Long-life coil spring, snap-action mechanism
- Agency approved extended-life versions available
- VDE approval available on select models (F Series)
- Various terminal forms available (consult factory)

Dimensions in inch (mm)

Double pole version



Preferred parts

| Type | Order code | Electrical rating | | Terminals | Auxiliary actuator | Operating force (cN) | Operating point (mm) | Max. pretravel (mm) | Min. overtravel (mm) | Differential travel max. (mm) |
|---------------------|--------------------------|-------------------|---------------------------------------|--|--|----------------------|-----------------------------|---------------------|----------------------|-------------------------------|
| | | EN | UL | | | | | | | |
| Single pole version | E65-00A | - | 16A, 125/250VAC; 1/3HP, 125/250VAC | Q.C. terminal 4,8x0,5mm | Standard (Momentary) | 425 | 18,29-20,83 | 3,18 | 9,53 | 1,1 |
| | E68-00A | - | 0.1A, 125VAC | Q.C. terminal 4,8x0,5mm | Standard (Momentary) | 425 | 18,29-20,83 | 3,18 | 9,53 | 1,1 |
| | E68-30A | - | 0.1A, 125VAC | Q.C. terminal 4,8x0,5mm | Standard (Momentary + Cheat interlock) | 385/475 | 15,49-18,03/ 20,32-22,86 | 3,18 | 2,54 | 1,1 |
| | E68-40A | - | 0.1A, 125VAC | Q.C. terminal 4,8x0,5mm | Short actuator (Momentary) | 425 | 7,62-10,16 | 3,18 | 4,45 | 1,1 |
| | E69-00A alt. F69-00A* | 10(4)A, 250VAC | 10A, 125/250VAC 1/3HP, 125/250VAC | Q.C. terminal 4,8x0,5mm (alt. 4,8x0,8mm) | Standard (Momentary) | 425 | 18,29-20,83 | 3,18 | 9,53 | 1,1 |
| | E69-30A alt. F69-30A* | 10(4)A, 250VAC | 10A, 125/250VAC 1/3HP, 125/250VAC | Q.C. terminal 4,8x0,5mm (alt. 4,8x0,8mm) | Standard (Momentary + Cheat interlock) | 385/475 | 15,49-18,03/ 20,32-22,86 | 3,18 | 2,54 | 1,1 |
| | E69-40A | - | 10A, 125/250VAC 1/3HP, 125/250VAC | Q.C. terminal 4,8x0,5mm | Short actuator (Momentary) | 425 | 7,62-10,16 | 3,18 | 4,45 | 1,1 |
| Double pole version | E78-00A | - | 0.1A, 125VAC | Q.C. terminal 4,8x0,5mm | Standard (Momentary) | 680 | 18,29-20,83 | 3,18 | 9,53 | 1,9 |
| | E78-30A | - | 0.1A, 125VAC | Q.C. terminal 4,8x0,5mm | Standard (Momentary + Cheat interlock) | 567/757 | 15,49-18,03/ 20,32-22,86 | 3,18/3,94 | 2,54 | 1,9 |
| | E78-40A | - | 0.1A, 125VAC | Q.C. terminal 4,8x0,5mm | Short actuator (Momentary) | 680 | 7,62-10,16 | 3,18 | 4,45 | 1,9 |
| | E79-00A alt. F79-00A* | - | 10A, 125/250VAC 1/3HP, 125/250VAC | Q.C. terminal 4,8x0,5mm (alt. 4,8x0,8mm) | Standard (Momentary) | 680 | 18,29-20,83 | 3,18 | 9,53 | 1,9 |
| | E79-30A alt. F79-30A* | 10(4)A, 250VAC | 10A, 125/250VAC 1/3HP, 125/250VAC | Q.C. terminal 4,8x0,5mm (alt. 4,8x0,8mm) | Standard (Momentary + Cheat interlock) | 567/757 | 15,49-18,03/ 20,32-22,86 | 3,18/3,94 | 2,54 | 1,9 |
| | E79-40A | 10(4)A, 250VAC | 10A, 125/250VAC 1/3HP, 125/250VAC | Q.C. terminal 4,8x0,5mm | Short actuator (Momentary) | 680 | 7,62-10,16 | 3,18 | 4,45 | 1,9 |

* E-versions with UL approval ; F-versions with VDE approval

Single pole version

