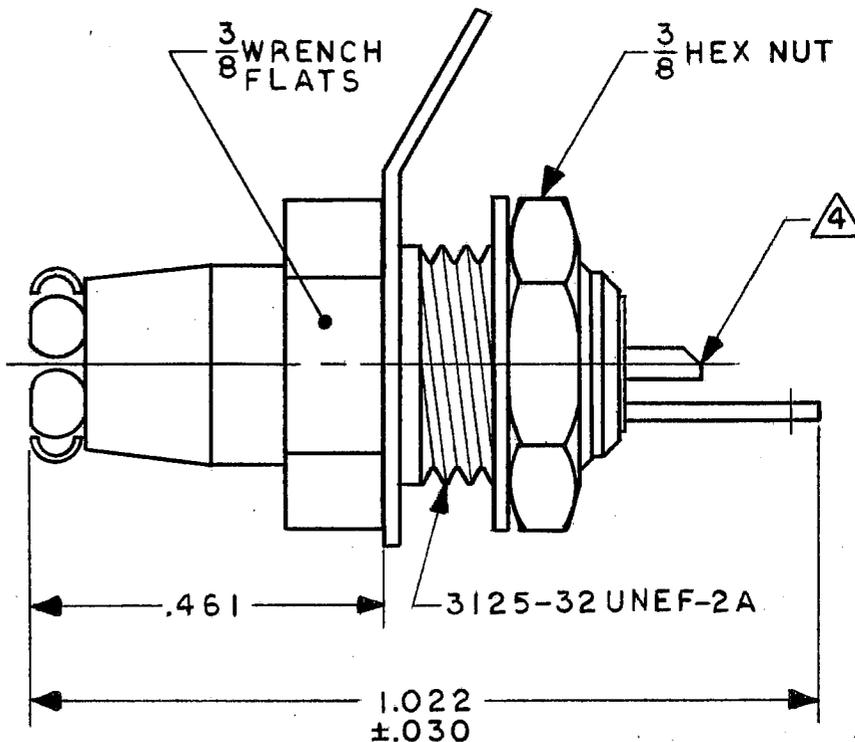
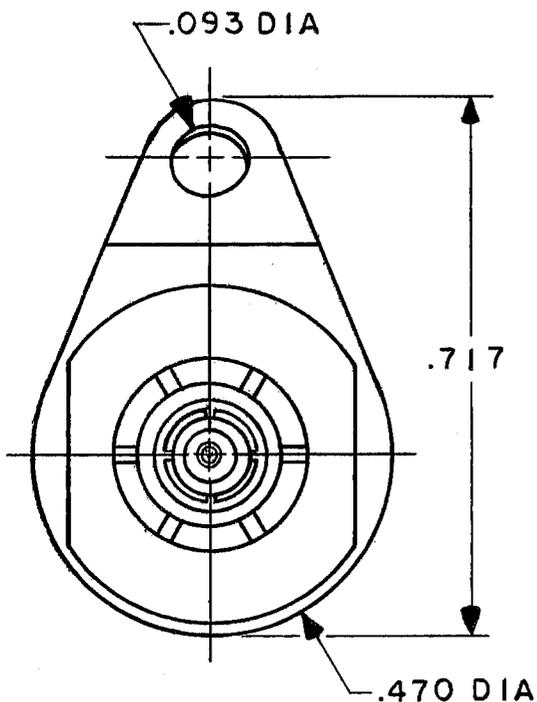


DATA CONTAINED IN THIS DOCUMENT IS PROPRIETARY TO TROMPETER ELECTRONICS INC. AND SHALL NOT BE DISCLOSED, COPIED OR USED FOR PROCUREMENT OR MANUFACTURE WITHOUT EXPRESS WRITTEN PERMISSION.

REV		EO	DESCRIPTION	DWN	APPROVED	DATE
			REVISIONS		3000-0065 SH 1	
A	7391		L/M PART NOS 1/2/3 WERE 8000-1838/8000-1488-1/8000-1523	CKH	F3, DM, AT	1-30-87

INCH	MM
.005	0.13
.026	0.66
.030	0.76
.088	2.24
.093	2.36
.461	11.71
.470	11.94
.717	18.21
1.022	25.96



5. SUBMINATURE  
TWINAX/TRIAX PUSH ON  
SOLDER POT PANEL JACK

△ SOLDER POT ACCEPTS .026  
MAX DIA CONDUCTOR

3. MAX PNL THK .088

2. FINISH: TFS-1A (NICKEL)

1. ALL DIM ARE IN INCHES

QTY	DESCRIPTION	PART NUMBER	ITEM
TOL UNLESS SPECIFIED .XX ± .XXX ±.005 .XXXX ± ANGLES ±		<b>TROMPETER ELECTRONICS, INC.</b>	
DWN JEH 5-26-81			
CHK TTN 5-27-81		PL151	
ENGR		MATERIAL	CODE IDENT
APPR	7-2-81	—	14949
NEXT ASSY		DRAWING NO.	REV
		3000-0065	A
		SCALE 4/1	DATE 7-7-81
		SHEET 1 OF 2	