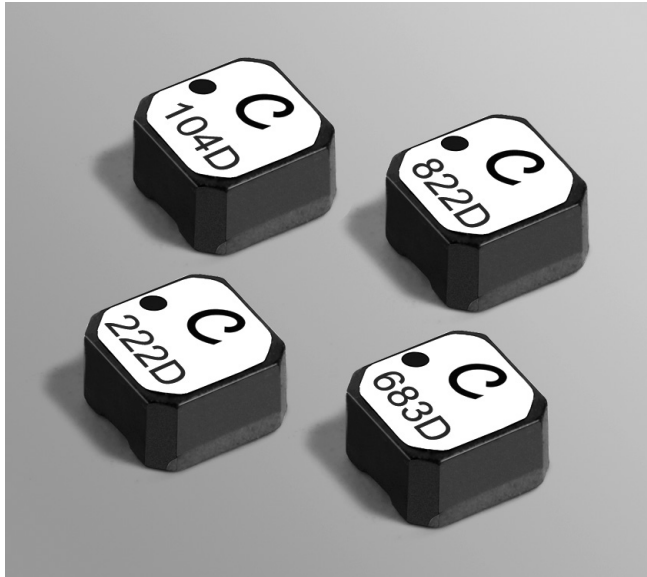


Shielded Power Inductors - LPS6235



- Low DCR; high current; shielded construction
- Perfect for backlight applications

Designer's Kit C345 contains 3 each of all values

Core material Ferrite

Core and winding loss See www.coilcraft.com/coreloss

Environmental RoHS compliant, halogen free

Terminations RoHS compliant matte tin over nickel over silver. Other terminations available at additional cost.

Weight 460 – 480 mg

Ambient temperature –40°C to +85°C with (40°C rise) Irms current.

Maximum part temperature +125°C (ambient + temp rise). **Derating.**

Storage temperature Component: –40°C to +125°C.

Tape and reel packaging: –40°C to +80°C

Resistance to soldering heat Max three 40 second reflows at +260°C, parts cooled to room temperature between cycles

Moisture Sensitivity Level (MSL) 1 (unlimited floor life at <30°C / 85% relative humidity)

Failures in Time (FIT) / Mean Time Between Failures (MTBF)

38 per billion hours / 26,315,789 hours, calculated per Telcordia SR-332

Packaging 350/7" reel; 1500/13" reel Plastic tape: 16 mm wide, 0.3 mm thick, 12 mm pocket spacing, 3.68 mm pocket depth

Recommended pick and place nozzle OD: 6.2 mm; ID: ≤ 3.1 mm

PCB washing Tested to MIL-STD-202 Method 215 plus an additional aqueous wash. See [Doc787_PCB_Washing.pdf](#).

| Part number ¹ | Inductance ² ±20% (µH) | DCR max ³ (Ohms) | SRF typ ⁴ (MHz) | Isat (A) ⁵ | | | Irms (A) ⁶ | |
|--------------------------|--------------------------------------|-----------------------------------|----------------------------------|-----------------------|-------------|-------------|-----------------------|--------------|
| | | | | 10% drop | 20% drop | 30% drop | 20°C rise | 40°C rise |
| LPS6235-682MR_ | 6.8 | 0.075 | 55 | 2.6 | 2.7 | 2.8 | 1.30 | 1.90 |
| LPS6235-822MR_ | 8.2 | 0.095 | 48 | 2.5 | 2.6 | 2.7 | 1.30 | 1.85 |
| LPS6235-103MR_ | 10.0 | 0.100 | 37 | 2.3 | 2.4 | 2.5 | 1.28 | 1.80 |
| LPS6235-123MR_ | 12.0 | 0.110 | 29 | 1.9 | 2.2 | 2.3 | 1.25 | 1.75 |
| LPS6235-153MR_ | 15.0 | 0.125 | 25 | 1.9 | 2.0 | 2.0 | 1.22 | 1.70 |
| LPS6235-183MR_ | 18.0 | 0.140 | 24 | 1.7 | 1.8 | 1.9 | 1.20 | 1.65 |
| LPS6235-223MR_ | 22.0 | 0.145 | 24 | 1.6 | 1.7 | 1.7 | 1.10 | 1.60 |
| LPS6235-333MR_ | 33.0 | 0.180 | 16 | 1.3 | 1.4 | 1.5 | 1.00 | 1.30 |
| LPS6235-473MR_ | 47.0 | 0.245 | 13 | 1.1 | 1.2 | 1.2 | 0.80 | 1.15 |
| LPS6235-563MR_ | 56.0 | 0.280 | 12 | 1.0 | 1.0 | 1.1 | 0.75 | 1.07 |
| LPS6235-683MR_ | 68.0 | 0.345 | 10.8 | 0.90 | 0.94 | 0.96 | 0.73 | 1.00 |
| LPS6235-823MR_ | 82.0 | 0.315 | 10.0 | 0.46 | 0.52 | 0.55 | 0.72 | 0.95 |
| LPS6235-104MR_ | 100.0 | 0.375 | 9.0 | 0.46 | 0.52 | 0.54 | 0.70 | 0.90 |
| LPS6235-124MR_ | 120.0 | 0.435 | 8.3 | 0.44 | 0.48 | 0.51 | 0.60 | 0.80 |
| LPS6235-154MR_ | 150.0 | 0.535 | 7.3 | 0.37 | 0.43 | 0.45 | 0.53 | 0.73 |
| LPS6235-224MR_ | 220.0 | 0.820 | 5.6 | 0.31 | 0.36 | 0.37 | 0.45 | 0.64 |
| LPS6235-334MR_ | 330.0 | 1.20 | 4.4 | 0.26 | 0.29 | 0.30 | 0.40 | 0.50 |
| LPS6235-474MR_ | 470.0 | 1.60 | 3.6 | 0.22 | 0.25 | 0.26 | 0.32 | 0.43 |
| LPS6235-564MR_ | 560.0 | 2.00 | 3.1 | 0.20 | 0.22 | 0.23 | 0.29 | 0.38 |
| LPS6235-684MR_ | 680.0 | 2.20 | 2.8 | 0.17 | 0.19 | 0.21 | 0.28 | 0.37 |
| LPS6235-824MR_ | 820.0 | 2.70 | 2.5 | 0.16 | 0.18 | 0.19 | 0.26 | 0.33 |
| LPS6235-105MR_ | 1000.0 | 3.40 | 2.2 | 0.14 | 0.17 | 0.18 | 0.24 | 0.30 |
| LPS6235-155MR_ | 1500.0 | 4.60 | 1.9 | 0.12 | 0.13 | 0.14 | 0.19 | 0.26 |
| LPS6235-185MR_ | 1800.0 | 5.42 | 1.7 | 0.11 | 0.12 | 0.13 | 0.18 | 0.23 |
| LPS6235-225MR_ | 2200.0 | 6.70 | 1.5 | 0.090 | 0.11 | 0.11 | 0.16 | 0.22 |
| LPS6235-335MR_ | 3300.0 | 9.50 | 1.1 | 0.080 | 0.090 | 0.10 | 0.14 | 0.180 |
| LPS6235-475MR_ | 4700.0 | 14.5 | 0.94 | 0.070 | 0.077 | 0.084 | 0.11 | 0.150 |
| LPS6235-565MR_ | 5600.0 | 16.4 | 0.86 | 0.060 | 0.070 | 0.080 | 0.10 | 0.130 |
| LPS6235-685MR_ | 6800.0 | 21.4 | 0.80 | 0.057 | 0.065 | 0.069 | 0.090 | 0.120 |
| LPS6235-825MR_ | 8200.0 | 24.5 | 0.70 | 0.052 | 0.060 | 0.067 | 0.085 | 0.115 |
| LPS6235-106MR_ | 10000.0 | 29.5 | 0.61 | 0.050 | 0.055 | 0.060 | 0.075 | 0.095 |

1. Please specify **termination** and **packaging** codes:

LPS6235-106MRC

Termination: R = RoHS compliant matte tin over nickel over silver.

Special order, added cost:

Q = RoHS tin-silver-copper (95.5/4/0.5)
or P = non-RoHS tin-lead (63/37).

Packaging: C = 7" machine-ready reel. EIA-481 embossed plastic tape (350 parts per full reel).

B = Less than full reel. In tape, but not machine ready. To have a leader and trailer added (\$25 charge), use code letter C instead.

D = 13" machine-ready reel. EIA-481 embossed plastic tape. Factory order only, not stocked (1500 parts per full reel).

2. Inductance tested at 100 kHz, 0.1 Vrms, 0 Adc using an Agilent/HP 4192A.
3. DCR measured on a micro-ohmmeter.
4. SRF measured using Agilent/HP 8753ES or equivalent.
5. DC current at 25°C that causes the specified inductance drop from its value without current.
[Click for temperature derating information.](#)
6. Current that causes the specified temperature rise from 25°C ambient. This information is for reference only and does not represent absolute maximum ratings.
[Click for temperature derating information.](#)
7. Electrical specifications at 25°C.
Refer to Doc 362 "Soldering Surface Mount Components" before soldering.



www.coilcraft.com

US +1-847-639-6400 sales@coilcraft.com

UK +44-1236-730595 sales@coilcraft-europe.com

Taiwan +886-2-2264 3646 sales@coilcraft.com.tw

China +86-21-6218 8074 sales@coilcraft.com.cn

Singapore + 65-6484 8412 sales@coilcraft.com.sg

Document 587-1 Revised 09/02/15

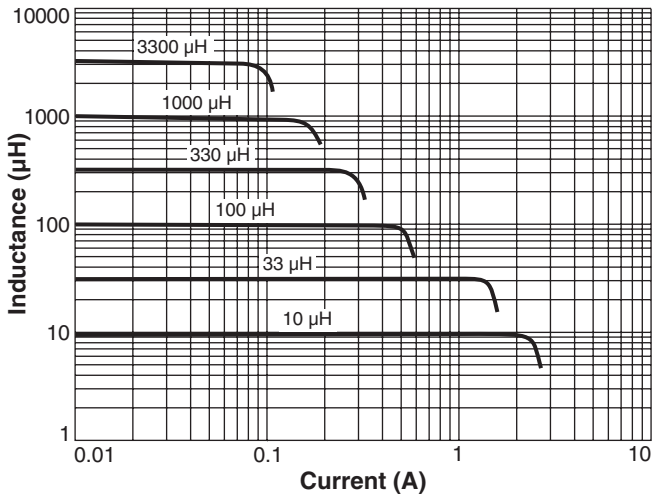
© Coilcraft Inc. 2017

This product may not be used in medical or high risk applications without prior Coilcraft approval. Specification subject to change without notice. Please check web site for latest information.

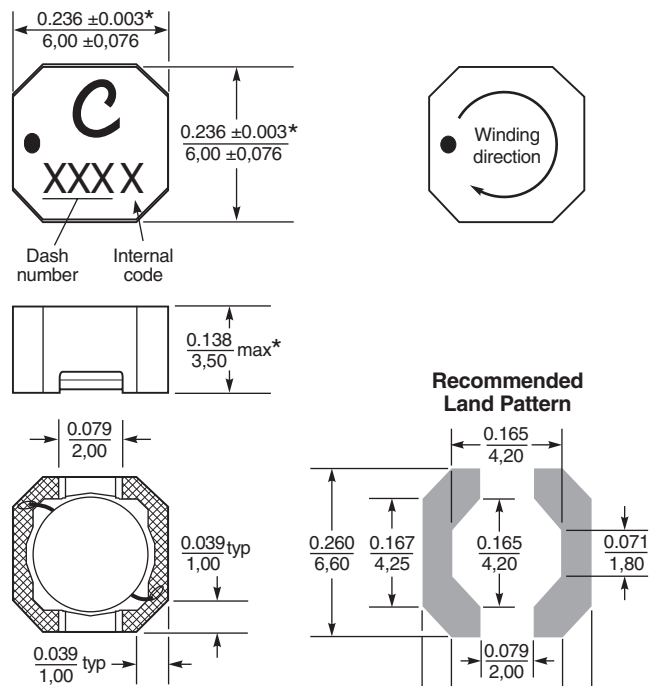
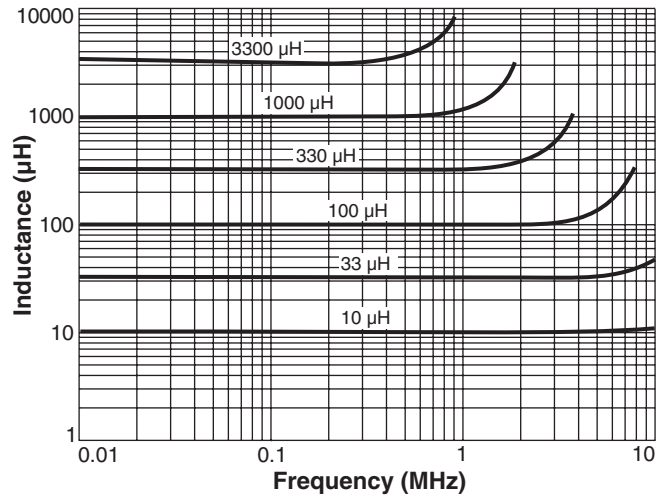


Shielded Power Inductors – LPS6235 Series

Typical L vs Current



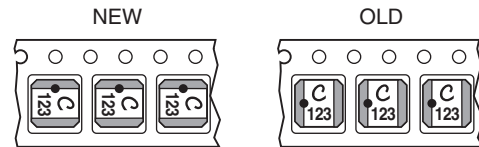
Typical L vs Frequency



* Dimensions are of the case not including the termination. For maximum overall dimensions including the termination, add 0.005 in / 0,13 mm.
 For optional tin-lead and tin-silver-copper terminations, dimensions are for the mounted part. Dimensions before mounting can be an additional 0.005 inch / 0,13 mm).

Packaging 350/7" reel; 1500/13" reel Plastic tape: 16 mm wide, 0.3 mm thick, 12 mm pocket spacing, 3.68 mm pocket depth

NOTE NEW PART ORIENTATION Parts are rotated 90° in the packaging tape compared to previous versions of this product.



US +1-847-639-6400 sales@coilcraft.com
UK +44-1236-730595 sales@coilcraft-europe.com
Taiwan +886-2-2264 3646 sales@coilcraft.com.tw
China +86-21-6218 8074 sales@coilcraft.com.cn
Singapore + 65-6484 8412 sales@coilcraft.com.sg

Document 587-2 Revised 09/02/15
 © Coilcraft Inc. 2017
 This product may not be used in medical or high risk applications without prior Coilcraft approval. Specification subject to change without notice. Please check web site for latest information.