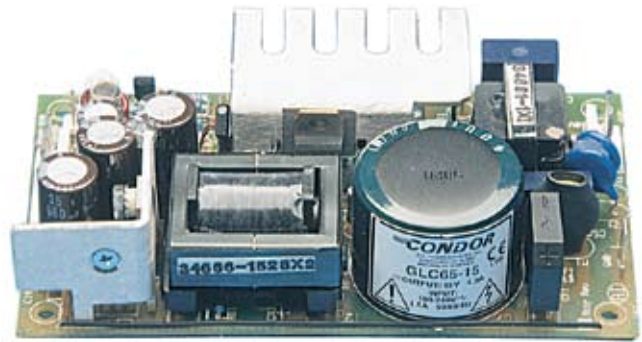


GLOBAL PERFORMANCE SWITCHERS

FEATURES:

- 4.1 W/in³
- Compact (3.0" x 5.0" x 1.06")
- Ultra-high efficiency (up to 94%) using patented technology
- Meets harmonic requirements of IEC1000-3-2, Class A
- Conducted EMI exceeds FCC Class B and CISPR 22 Class B (Commercial models) and CISPR 11 Class B (Medical models)
- 2-year warranty
- Exempt from line harmonics standard EN61000-3-2
- Commercial Approved to UL1950, IEC950, EN60950, CSA22.2 No. 950
- Medical Approved to UL2601, EN60601, CSA22.2 No. 601.1
- Multiple output versions also available
- RoHS models available (G suffix)
- CE marked to LVD

SPECIFICATIONS

<p>Ac Input 90-264 Vac, 47-63 Hz single phase.</p>	<p>Inrush Current Inrush is limited by internal thermistor. The inrush at 240 Vac, averaged over the first ac half-cycle under cold start conditions will not exceed 37A.</p>	
<p>Input Current Maximum input current at minimum output voltage and output overload will be less than 1.7 A. Meets input current harmonic requirements of IEC1000-3-2.</p>	<p>EMI/EMC Compliance All models include built-in EMI filtering to meet the following emissions requirements:</p>	
<p>Output Power Normal continuous output power is 65 W, 75 W peak for 60 s. The 3.3 Vdc unit is 36.3 W and the 5 Vdc unit is 55 W continuous.</p>	<p>EMI SPECIFICATIONS</p>	<p>COMPLIANCE LEVEL</p>
<p>Hold-Up Time 20 ms from loss of ac input at 65 W load, from 120 Vac input.</p>	<p>Conducted Emissions GLC65 Conducted Emissions GLM65 Static Discharge RF Field Susceptibility Fast Transients/Bursts Surge Susceptibility</p>	<p>EN55022 Class B; FCC Class B EN55011 Class B: FCC Class B EN61000-4-2, 6 kV contact, 8 kV air EN61000-4-3, 3 V/meter EN61000-4-4, 2 kV, 5 kHz EN61000-4-5, 1 kV diff., 2 kV com.</p>
<p>Overload Protection Fully protected against short circuit and output overload. Short circuit protection is cycling type power limit.</p>	<p>Commercial Leakage Current Under normal conditions, leakage current is 425 μA with 132 Vac @ 60 Hz input.</p>	
<p>Output Noise 0.5% rms, 1% pk-pk, 20 MHz bandwidth, differential mode. Measured with scope probe directly across output terminals of the power supply with load terminated with 0.1 μF capacitor.</p>	<p>Commercial Safety All GLC models are approved to UL1950, CSA22.2 No. 950, IEC950 and EN60950.</p>	
<p>Transient Response Main output: 500 μs typical response time for return to within 0.5% of final value for a 50% load step within the regulation limits of minimum and maximum load, $\Delta i/\Delta t < 0.2$ A/μs. Maximum voltage deviation is 3.5%. Startup/shut-down overshoot less than 3%.</p>	<p>Medical Leakage Current The maximum leakage current under single-fault conditions (254 Vac @ 50 Hz) is 120 μA. Under normal conditions, leakage current is 31 μA with 132 Vac @ 60 Hz input.</p>	
<p>Voltage Adjustment Adjustable potentiometer capable of $\pm 5\%$ change from nominal setting.</p>	<p>Medical Safety All GLM models are approved to UL2601, CSA22.2 No. 601, IEC601-1 and EN60601. Consult factory for approval status.</p>	
<p>Efficiency 82 to 94% minimum at full rated load, nominal input voltage, depending on model.</p>	<p>Temperature Coefficient: 0.03%$^{\circ}$C typical on all outputs.</p>	
<p>Minimum Load No minimum load required.</p>	<p>Remote Sense Provided as standard feature on all models. Includes open sense protection.</p>	

Commercial Model	Medical Model	Output	Current	Total Regulation	V1 Adjustment	V1 OVP Setpoint	Ripple and Noise
GLC65-5	GLM65-5	5.1 V	9/11 A *	2%	±5%	6.2 ± 0.6 V	1%
GLC65-12	GLM65-12	12 V	5.5 A	2%	±5%	14 ± 1.1 V	1%
GLC65-15	GLM65-15	15 V	4.3 A	2%	±5%	18.5 ± 1.5 V	1%
GLC65-18	GLM65-18	18 V	3.6 A	2%	±5%	21.7 ± 2.0 V	1%
GLC65-20	GLM65-20	20V	3.25 A	2%	±5%	24.5 ± 2.2 V	1%
GLC65-24	GLM65-24	24 V	2.7 A	2%	±5%	28 ± 2.5 V	1%
GLC65-28	GLM65-28	28 V	2.3 A	2%	±5%	34 ± 2.8 V	1%
GLC65-48	GLM65-48	48 V	1.35 A	2%	±5%	55 ± 4.0 V	1%

- Note:
- * 9 A convection, 11 A with fan cooling

GLC65/GLM65 - SINGLE OUTPUT - MECHANICAL SPECIFICATIONS

INPUT J1:
AMP P/N 640445-3, .156 [3.96mm] CTR,
0.045 [1.14mm] SQUARE PIN HEADER

PIN 3) AC NEUTRAL
PIN 2) NO PIN
PIN 1) AC LINE

OUTPUT J2:
AMP P/N 640445-6, .156 [3.96mm] CTR,
0.045 [1.14mm] SQUARE PIN HEADER

PIN 1-3) OUTPUT
PIN 4-6) COMMON
GND: 0.250" FASTON TAB

SENSE J3:
AMP P/N 640456-2, .100 [2.54mm] CTR,
0.025 [0.64mm] SQUARE PIN HEADER

PIN 1) +SENSE
PIN 2) -SENSE

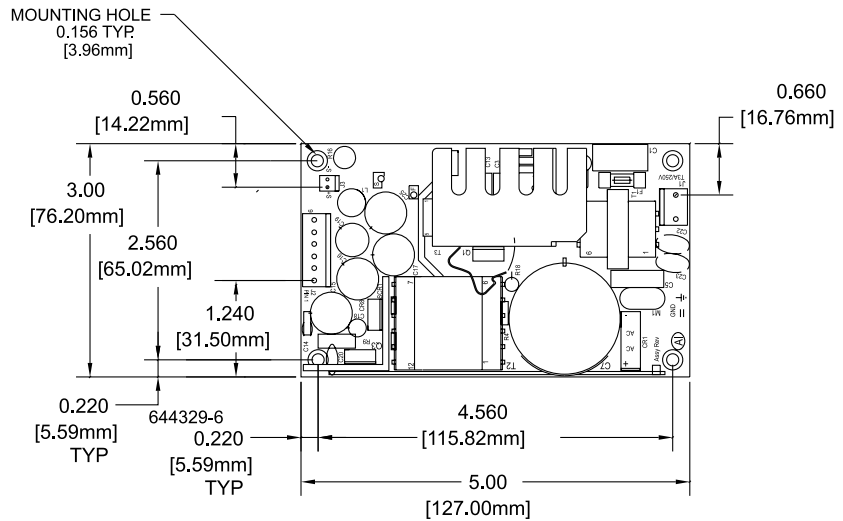
MATING CONNECTORS: AMP P/N

	HOUSING	CONTACTS
INPUT	640250-3	770476-1
OUTPUT	640250-6	770476-1
SENSE	640440-2	770476-1

NOTE: 5A MAXIMUM RECOMMENDED CURRENT
PER CONNECTOR PIN

WEIGHT: 5 OZ.
[0.142 KG]

TOLERANCES:
X.XX = ± 0.030 (0.76MM)
X.XXX = ± 0.010 (0.25MM)



MAX. COMPONENT HEIGHT 1.20" [30.28mm]
MAX. LEAD PROTRUSION 0.10" [2.54mm]

ENVIRONMENTAL SPECIFICATIONS	OPERATING	NON-OPERATING
Temperature (A)	0 to 50°	-40 to +85°C
Humidity (A)	0 to 95% RH	0 to 95% RH
Shock (B)	20 g _{pk}	40 g _{pk}
Altitude	-500 to 10,000 ft	-500 to 40,000 ft
Vibration (C)	1.5 g _{rms} 0.003 g ² /Hz	5 g _{rms} 0.026 g ² /Hz

A. Units should be allowed to warm up/operate under non-condensing conditions before application of power. Derate output current and total output power by 2.5% per °C above 50°C.

B. Shock testing—half-sinusoidal, 10 ± 3 ms duration, ± direction, 3 orthogonal axes, total 6 shocks.

C. Random vibration—10 to 2000Hz, 6dB/octave roll-off from 350 to 2000Hz, 3 orthogonal axes. Tested for 10 min./axis operating and 1hr./axis non-operating.