



## Heyco® Nylon PCB Supports

### Tension Barb Style

- Provide spacing between the printed circuit board and the panel or between circuit boards.
- Wide, ribbed wings produce a secure fit with extra stability.
- Multiple spacing heights from .187" (4,7 mm) to .750" (19,0 mm).
- Two Styles:
  - 1) Panel barb end, plus tension barb end for PCB.
  - 2) Panel barb end, plus locking barb end for PCB.

PANEL DIMENSIONS				PCB DIMENSIONS				PART NO.	DESCRIPTION	PART DIMENSIONS					
Maximum Thickness		Mounting Hole Diameter		Maximum Thickness		Mounting Hole Diameter				A Spacing		B Head Length		C* Foot Length	
in.	mm.	in.	mm.	in.	mm.	in.	mm.	Natural		in.	mm.	in.	mm.	in.	mm.
<b>SS T Series</b>															
								<b>3640</b>	SS T 3/16	.19	4,8				
								<b>3641</b>	SS T 1/4	.25	6,4				
								<b>3642</b>	SS T 3/8	.38	9,5				
								<b>3643</b>	SS T 7/16	.44	11,1	.40	10,2	.21	5,3
								<b>3644</b>	SS T 1/2	.50	12,7				
								<b>3645</b>	SS T 5/8	.63	15,9				
								<b>3646</b>	SS T 3/4	.75	19,0				

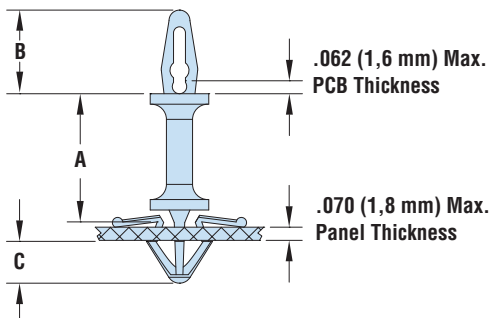
Standard color natural.  
\*Extension beyond .070" (1,8 mm) thick panel.

### Locking Barb Style

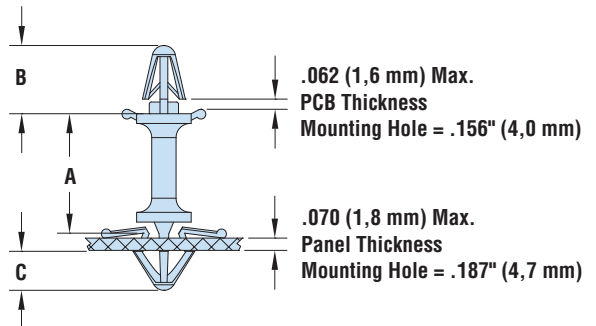


PANEL DIMENSIONS				PCB DIMENSIONS				PART NO.	DESCRIPTION	PART DIMENSIONS					
Maximum Thickness		Mounting Hole Diameter		Maximum Thickness		Mounting Hole Diameter				A Spacing		B Head Length		C* Foot Length	
in.	mm.	in.	mm.	in.	mm.	in.	mm.	Natural		in.	mm.	in.	mm.	in.	mm.
<b>SS L Series</b>															
								<b>3670</b>	SS L 3/16	.19	4,8				
								<b>3671</b>	SS L 1/4	.25	6,4				
								<b>3672</b>	SS L 3/8	.38	9,5				
								<b>3673</b>	SS L 7/16	.44	11,1	.35	8,9	.21	5,3
								<b>3674</b>	SS L 1/2	.50	12,7				
								<b>3675</b>	SS L 5/8	.63	15,9				
								<b>3676</b>	SS L 3/4	.75	19,0				

Standard color natural.  
\*Extension beyond .070" (1,8 mm) thick panel.



Tension Barb



Locking Barb

Quick Specs

Material	Nylon 6/6
Certifications	Recognized under the Component Program of Underwriters' Laboratories File E197049
Flammability Rating	94V-2
Temperature Range	32°F (0°C) to 185°F (85°C)