

Cree® LMH2 LED Modules Family

LMH2 Light Source with Flat Lens



LMH2 Light Source with Dome Lens



PRODUCT DESCRIPTION

Cree LED modules provide lighting designers and manufacturers with simple, easy-to-adopt LED lighting solutions that reduce luminaire development time and speed time-to-market. Cree LMH2 family LED modules are the ideal choice for enabling rapid luminaire development where bright, beautiful, long-life lighting is required. The ease of use of the LMH family enables this versatile LED lighting module to jump-start the design process for recessed downlights, wall sconces or pendant lights in demanding end markets such as retail, museums and studio lighting. The sunset dimming option allows further application penetration into hospitality and restaurant environments.

FEATURES

- Industry-leading light-source efficacy (steady state) of up to 97 lm/W for 850-3000 lm, 108 lm/W for 4000 lm, 85 lm/W for 6000 & 8000 lm LMH2, 125 lm/W for 1250-3000 lm LMH2+, all available in WhiteLight dimming
- 850-4000 lm available in 2700 K, 3000 K, 3500 K and 4000 K CCT
- 4000 lm & 6000 lm available in 5000 K
- 6000 lm & 8000 lm available in 3000 K, 3500 K and 4000 K CCT
- Sunset dimming available for 850-3000 lm modules (dim from 2700 K down to 1800 K)
- ≥ 90 CRI for all CCTs
- Minimum 95 CRI available for 3500 K at 3000 lm
- Industry-leading 5-year warranty
- Designed to last 50,000 hours at L₇₀
- No UV in light output
- No mercury in light source

TABLE OF CONTENTS

LMH2 Characteristics - WhiteLight Dimming2

LMH2 Order Codes - 90 CRI Minimum WhiteLight Dimming3

LMH2 Order Code - 95 CRI Minimum WhiteLight Dimming3

LMH2+ Characteristics - WhiteLight Dimming4

LMH2+ Order Codes - WhiteLight Dimming5

LMH2 Characteristics - Sunset Dimming6

LMH2 Order Codes - Sunset Dimming.....6

Thermal Management Guidelines.....7

Relative Spectral Power Distribution8

Relative Luminous Flux vs. Case Temperature10

Typical Voltage vs. Case Temperature12

Relative Luminous Flux vs. Current.....14

Photometry.....15

Performance Groups - Chromaticity18

Chromaticity Bins Plotted on the 1931 CIE Color Space.....19

Mechanical Dimensions20

Notes21

Packaging21

LMH2 CHARACTERISTICS - WHITELIGHT DIMMING* (T_c = 55 °C)

Characteristics	Unit	Minimum	Typical	Maximum
Viewing angle (FWHM) - 850- & 1250-lm flat lens	degrees		82	
Viewing angle (FWHM) - 850- & 1250-lm dome lens	degrees		96	
Viewing angle (FWHM) - 2000- & 3000-lm flat lens	degrees		82	
Viewing angle (FWHM) - 2000- & 3000-lm dome lens	degrees		105	
Viewing angle (FWHM) - 4000-lm flat lens	degrees		85	
Viewing angle (FWHM) - 4000-lm dome lens	degrees		105	
Viewing angle (FWHM) - 6000-lm flat lens	degrees		86	
Viewing angle (FWHM) - 6000-lm dome lens	degrees		110	
Viewing angle (FWHM) - 8000-lm flat lens	degrees		84	
Viewing angle (FWHM) - 8000-lm dome lens	degrees		110	
DC forward current - 850 & 1250 lm	mA	400	440	480
DC forward current - 2000 & 3000 lm	mA	810	900	990
DC forward current - 4000 lm	mA	850	940	1030
DC forward current - 6000 lm	mA	1530	1700	1870
DC forward current - 8000 lm	mA	1800	2000	2100
Forward voltage - 850 lm (@ 440 mA, 55 °C)	V		19	23
Forward voltage - 1250 lm (@ 440 mA, 55 °C)	V		29	34
Forward voltage - 2000 lm (@ 900 mA, 55 °C)	V		22	26
Forward voltage - 3000 lm (@ 900 mA, 55 °C)	V		33	38
Forward voltage - 4000 lm (@ 940 mA, 55 °C)	V		35.5	43
Forward voltage - 6000 lm (@ 1700 mA, 55 °C)	V		38	46
Forward voltage - 8000 lm (@ 2000 mA, 55 °C)	V		46.2	52
Luminous flux - 850-lm (@ 440 mA, 55 °C)	lm	790	850	909
Luminous flux - 1250-lm (@ 440 mA, 55 °C)	lm	1163	1250	1337
Luminous flux - 2000-lm (@ 900 mA, 55 °C)	lm	1860	2000	2140
Luminous flux - 3000-lm (@ 900 mA, 55 °C)	lm	2790	3000	3210
Luminous flux - 4000-lm (@ 940 mA, 55 °C)	lm	3720	4000	4280
Luminous flux - 6000-lm (@ 1700 mA, 55 °C)	lm	5580	6000	6420
Luminous flux - 8000-lm (@ 2000 mA, 55 °C)	lm	7440	8000	8560
LED module case temperature (T _c)	°C	0		70
CRI - 90 CRI	100-point scale	90	92	
CRI - 95 CRI	100-point scale	95		

Notes:

- LMH2 modules are not designed for reverse bias operation.
- Cree maintains a tolerance of $\pm 7\%$ on flux measurements, $\pm 10\%$ on power measurements, ± 0.005 on chromaticity (CC_x, CC_y) measurements and a tolerance of ± 2 on CRI measurements.
- 55 °C measured at case temperature (T_c) point shown on page 20.
- Luminous flux values for the dome lens LMH2 LED module can be up to 3% higher.
- * WhiteLight dimming provides consistent color across the entire dimming range.

LMH2 ORDER CODES - 90 CRI MINIMUM WHITELIGHT DIMMING

Typical Luminous Flux (lm)	Typical Light Source Efficacy (lm/W)	CCT (K)	Order Code	
			Flat Lens	Dome Lens
850	97	4000	LMH020-0850-40G9-00000TW	LMH020-0850-40G9-00001TW
		3500	LMH020-0850-35G9-00000TW	LMH020-0850-35G9-00001TW
		3000	LMH020-0850-30G9-00000TW	LMH020-0850-30G9-00001TW
		2700	LMH020-0850-27G9-00000TW	LMH020-0850-27G9-00001TW
1250	97	4000	LMH020-1250-40G9-00000TW	LMH020-1250-40G9-00001TW
		3500	LMH020-1250-35G9-00000TW	LMH020-1250-35G9-00001TW
		3000	LMH020-1250-30G9-00000TW	LMH020-1250-30G9-00001TW
		2700	LMH020-1250-27G9-00000TW	LMH020-1250-27G9-00001TW
2000	97	4000	LMH020-2000-40G9-00000TW	LMH020-2000-40G9-00001TW
		3500	LMH020-2000-35G9-00000TW	LMH020-2000-35G9-00001TW
		3000	LMH020-2000-30G9-00000TW	LMH020-2000-30G9-00001TW
		2700	LMH020-2000-27G9-00000TW	LMH020-2000-27G9-00001TW
3000	97	4000	LMH020-3000-40G9-00000TW	LMH020-3000-40G9-00001TW
		3500	LMH020-3000-35G9-00000TW	LMH020-3000-35G9-00001TW
		3000	LMH020-3000-30G9-00000TW	LMH020-3000-30G9-00001TW
		2700	LMH020-3000-27G9-00000TW	LMH020-3000-27G9-00001TW
4000	108	5000	LMH020-4000-50G9-00000TW	LMH020-4000-50G9-00001TW
		4000	LMH020-4000-40G9-00000TW	LMH020-4000-40G9-00001TW
		3500	LMH020-4000-35G9-00000TW	LMH020-4000-35G9-00001TW
		3000	LMH020-4000-30G9-00000TW	LMH020-4000-30G9-00001TW
		2700	LMH020-4000-27G9-00000TW	LMH020-4000-27G9-00001TW
6000	85	5000	LMH020-6000-50G9-00000TW	LMH020-6000-50G9-00001TW
		4000	LMH020-6000-40G9-00000TW	LMH020-6000-40G9-00001TW
		3500	LMH020-6000-35G9-00000TW	LMH020-6000-35G9-00001TW
		3000	LMH020-6000-30G9-00000TW	LMH020-6000-30G9-00001TW
8000	85	4000	LMH020-8000-40G9-00000TW	LMH020-8000-40G9-00001TW
		3500	LMH020-8000-35G9-00000TW	LMH020-8000-35G9-00001TW
		3000	LMH020-8000-30G9-00000TW	LMH020-8000-30G9-00001TW

LMH2 ORDER CODE - 95 CRI MINIMUM WHITELIGHT DIMMING

Typical Luminous Flux (lm)	Typical Light Source Efficacy (lm/W)	CCT (K)	Order Code
			Flat Lens
3000	97	3500	LMH020-3000-35GS-00000TW

LMH2+ CHARACTERISTICS - WHITELIGHT DIMMING* (T_c = 55 °C)

Characteristics	Unit	Minimum	Typical	Maximum
Viewing angle (FWHM) - 1250-lm flat lens	degrees		82	
Viewing angle (FWHM) - 1250-lm dome lens	degrees		96	
Viewing angle (FWHM) - 2000-lm flat lens	degrees		82	
Viewing angle (FWHM) - 2000-lm dome lens	degrees		105	
Viewing angle (FWHM) - 3000-lm flat lens	degrees		82	
Viewing angle (FWHM) - 3000-lm dome lens	degrees		105	
DC forward current - 1250 lm	mA		450	750
DC forward current - 2000 lm	mA		450	940
DC forward current - 3000 lm	mA		600	1000
Forward voltage - 1250 lm (@ 450 mA, 55 °C)	V		22.5	25
Forward voltage - 2000 lm (@ 450 mA, 55 °C)	V		35	38.5
Forward voltage - 3000 lm (@ 600 mA, 55 °C)	V		40	44
Luminous flux - 1250-lm (@ 450 mA, 55 °C)	lm	1163	1250	1337.5
Luminous flux - 2000-lm (@ 450 mA, 55 °C)	lm	1860	2000	2140
Luminous flux - 3000-lm (@ 600 mA, 55 °C)	lm	2790	3000	3210
LED module case temperature (T _c)	°C	0		70
CRI	100-point scale	90	92	

Notes:

- LMH2+ modules are not designed for reverse bias operation.
- Cree maintains a tolerance of ±7% on flux measurements, ±10% on power measurements, ±0.005 on chromaticity (CC_x, CC_y) measurements and a tolerance of ±2 on CRI measurements.
- 55 °C measured at case temperature (T_c) point shown on page 20.
- Luminous flux values for the dome lens LMH2+ LED module can be up to 3% higher.
- * WhiteLight dimming provides consistent color across the entire dimming range.

LMH2+ ORDER CODES - WHITELIGHT DIMMING

Typical Luminous Flux (lm)	Typical Light Source Efficacy (lm/W)	CCT (K)	Order Code	
			Flat Lens	Dome Lens
1250	125	4000	LMH02B-1250-40G9-00000TW	LMH02B-1250-40G9-00001TW
		3500	LMH02B-1250-35G9-00000TW	LMH02B-1250-35G9-00001TW
		3000	LMH02B-1250-30G9-00000TW	LMH02B-1250-30G9-00001TW
		2700	LMH02B-1250-27G9-00000TW	LMH02B-1250-27G9-00001TW
2000	125	4000	LMH02B-2000-40G9-00000TW	LMH02B-2000-40G9-00001TW
		3500	LMH02B-2000-35G9-00000TW	LMH02B-2000-35G9-00001TW
		3000	LMH02B-2000-30G9-00000TW	LMH02B-2000-30G9-00001TW
		2700	LMH02B-2000-27G9-00000TW	LMH02B-2000-27G9-00001TW
3000	125	4000	LMH02B-3000-40G9-00000TW	LMH02B-3000-40G9-00001TW
		3500	LMH02B-3000-35G9-00000TW	LMH02B-3000-35G9-00001TW
		3000	LMH02B-3000-30G9-00000TW	LMH02B-3000-30G9-00001TW
		2700	LMH02B-3000-27G9-00000TW	LMH02B-3000-27G9-00001TW

LMH2 CHARACTERISTICS - SUNSET DIMMING* (T_c = 55 °C)

Characteristics	Unit	Minimum	Typical	Maximum
Viewing angle (FWHM) - 850- & 1250-lm flat lens	degrees		82	
Viewing angle (FWHM) - 850- & 1250-lm dome lens	degrees		96	
Viewing angle (FWHM) - 2000- & 3000-lm flat lens	degrees		82	
Viewing angle (FWHM) - 2000- & 3000-lm dome lens	degrees		105	
DC forward current - 850 & 1250 lm	mA	400	440	480
DC forward current - 2000 & 3000 lm	mA	810	940	1030
Forward voltage - 850 lm (@ 440 mA, 55 °C)	V		20	25
Forward voltage - 1250 lm (@ 440 mA, 55 °C)	V		27	32
Forward voltage - 2000 lm (@ 940 mA, 55 °C)	V		20	26
Forward voltage - 3000 lm (@ 940 mA, 55 °C)	V		28	33
Luminous flux - 850-lm flat lens (@ 440 mA, 55 °C)	lm	790	850	909
Luminous flux - 1250-lm flat lens (@ 440 mA, 55 °C)	lm	1163	1250	1337
Luminous flux - 2000-lm flat lens (@ 940 mA, 55 °C)	lm	1860	2000	2140
Luminous flux - 3000-lm flat lens (@ 940 mA, 55 °C)	lm	2790	3000	3210
LED module case temperature (T _c)	°C	0		70
CRI - 90 CRI	100-point scale	90	92	

Notes:

- LMH2 modules are not designed for reverse bias operation.
- Cree maintains a tolerance of ±7% on flux measurements, ±10% on power measurements, ±0.005 on chromaticity (CC_x, CC_y) measurements and a tolerance of ±2 on CRI measurements.
- 55 °C measured at case temperature (T_c) point shown on page 20.
- Luminous flux values for the dome lens LMH2 LED module can be up to 3% higher.

* Sunset dimming provides warm, rich light from 2700 K to 1800 K.

LMH2 ORDER CODES - SUNSET DIMMING

Typical Luminous Flux (lm)	Typical Light Source Efficacy (lm/W)	CCT (K)	Order Code	
			Flat Lens	Dome Lens
850	97	2700	LMH020-0850-27G9-00000SS	LMH020-0850-27G9-00001SS
1250	97	2700	LMH020-1250-27G9-00000SS	LMH020-1250-27G9-00001SS
2000	89	2700	LMH020-2000-27G9-00000SS	LMH020-2000-27G9-00001SS
3000	93	2700	LMH020-3000-27G9-00000SS	LMH020-3000-27G9-00001SS

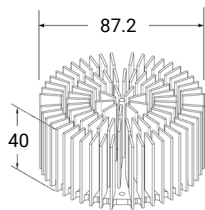
THERMAL MANAGEMENT GUIDELINES

The Cree LMH2 module family is designed to perform in a variety of environments without the need for active cooling. To achieve lifetime and performance estimates, and to maintain the warranty, the final luminaire design cannot allow the Tc point shown on page 20 to exceed 70 °C for the light source when the luminaire is at thermal equilibrium. Follow the mechanical and thermal design guidelines listed in the [Cree LMH2 LED Module Design Guide](#) to ensure proper thermal management. The optional heat sinks shown below are available.

Note: Refer to the LMH2 Design Guide for more information on choosing the appropriate heat sink for a given application.

Optional Heat Sink 1¹

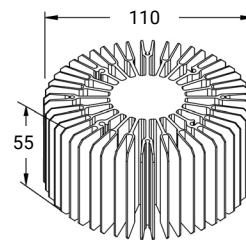
Order code **LMH020-HS00-0000-0000001**



For use with LMH2 850, 1250, 2000, 3000 & LMH2+ 1250, 2000, 3000

Optional Heat Sink 2

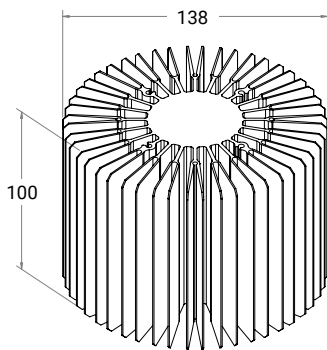
Order code **LMH020-HS00-0000-0000002**



For use with LMH2 850, 1250, 2000, 3000, 4000 & LMH2+ 1250, 2000, 3000

Optional Heat Sink 3

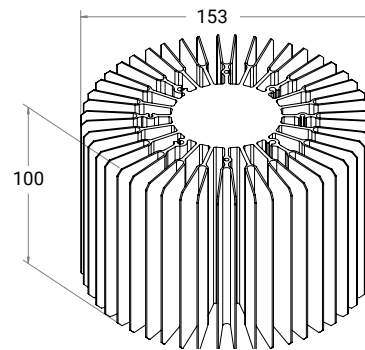
Order code **LMH020-HS00-0000-0000061**



For use with LMH2 850, 1250, 2000, 3000, 4000, 6000 & LMH2+ 1250, 2000, 3000

Optional Heat Sink 4

Order code **LMH020-HS00-0000-0000081**



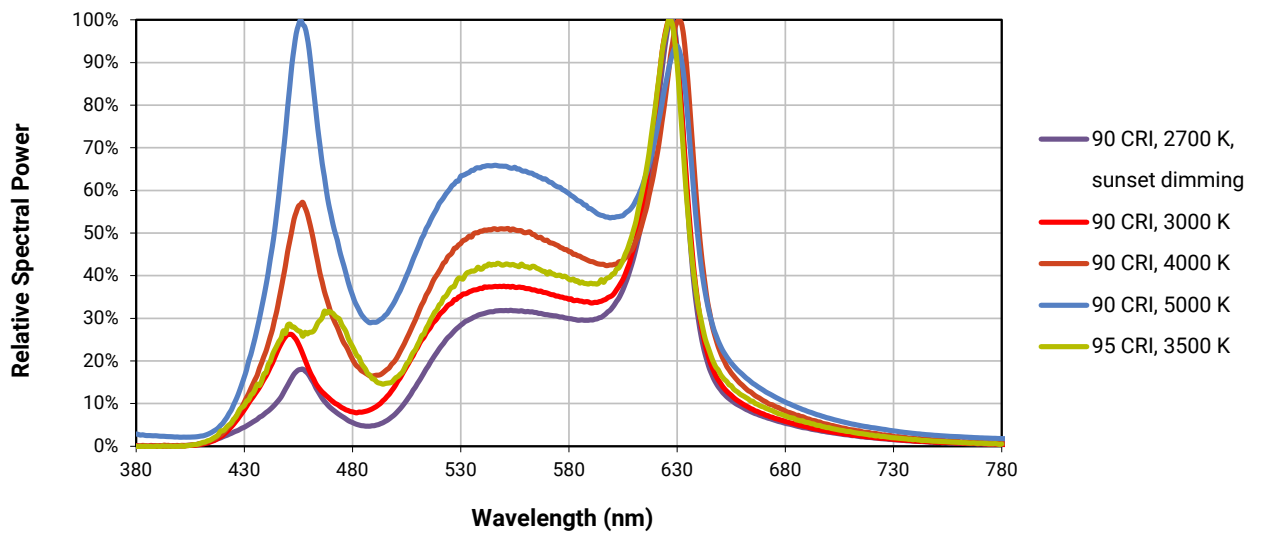
For use with LMH2 850, 1250, 2000, 3000, 4000, 6000, 8000 & LMH2+ 1250, 2000, 3000

¹ Dimensions for the diagrams are in mm and are for reference only. For exact dimensions and tolerances, refer to the 3-D models (.STEP file) for the optional heat sinks available by selecting the Documentation tab on the [LMH2 product page](#).

RELATIVE SPECTRAL POWER DISTRIBUTION

LMH2

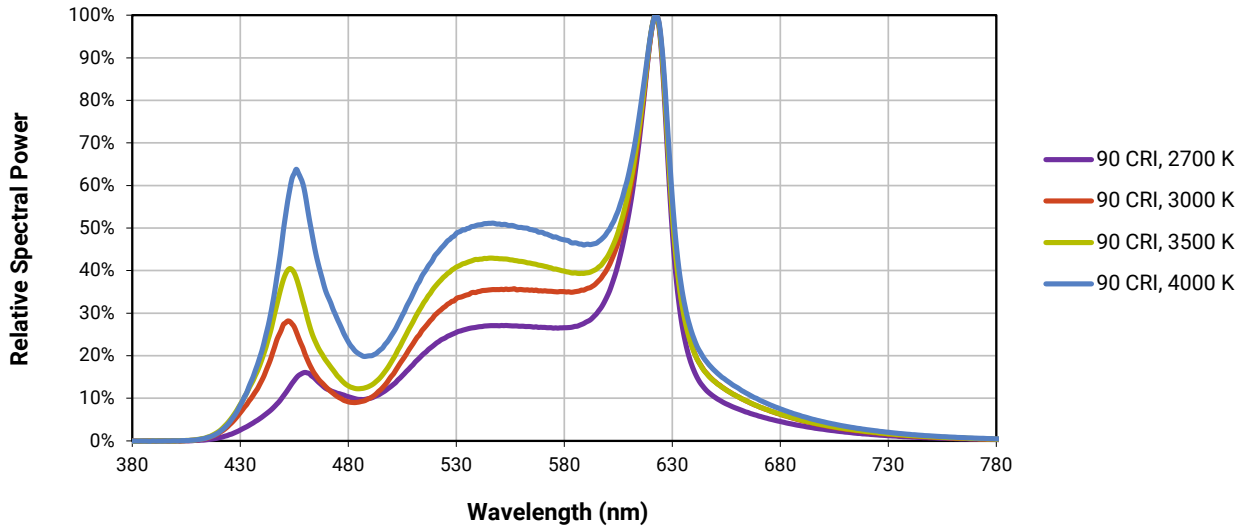
Test Conditions: $I_F = 440 \text{ mA}$: 850 & 1250 lm WhiteLight & sunset dimming
 $I_F = 900 \text{ mA}$: 2000 & 3000 lm WhiteLight dimming
 $I_F = 940 \text{ mA}$: 2000 & 3000 lm sunset dimming
 $I_F = 940 \text{ mA}$: 4000 lm WhiteLight dimming
 $I_F = 1700 \text{ mA}$: 6000 lm WhiteLight dimming
 $I_F = 2000 \text{ mA}$: 8000 lm WhiteLight dimming
 Steady-state operation



RELATIVE SPECTRAL POWER DISTRIBUTION - CONTINUED

LMH2+

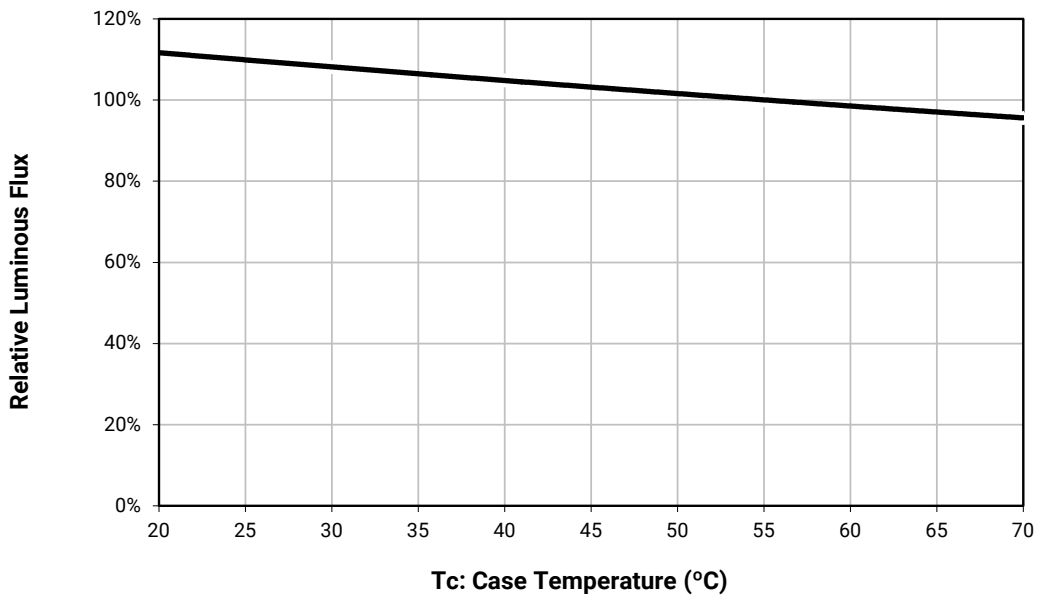
Test Conditions: $I_F = 450 \text{ mA}$: 1250 & 2000 lm WhiteLight dimming
 $I_F = 600 \text{ mA}$: 3000 lm WhiteLight dimming
 Steady-state operation



RELATIVE LUMINOUS FLUX VS. CASE TEMPERATURE

LMH2

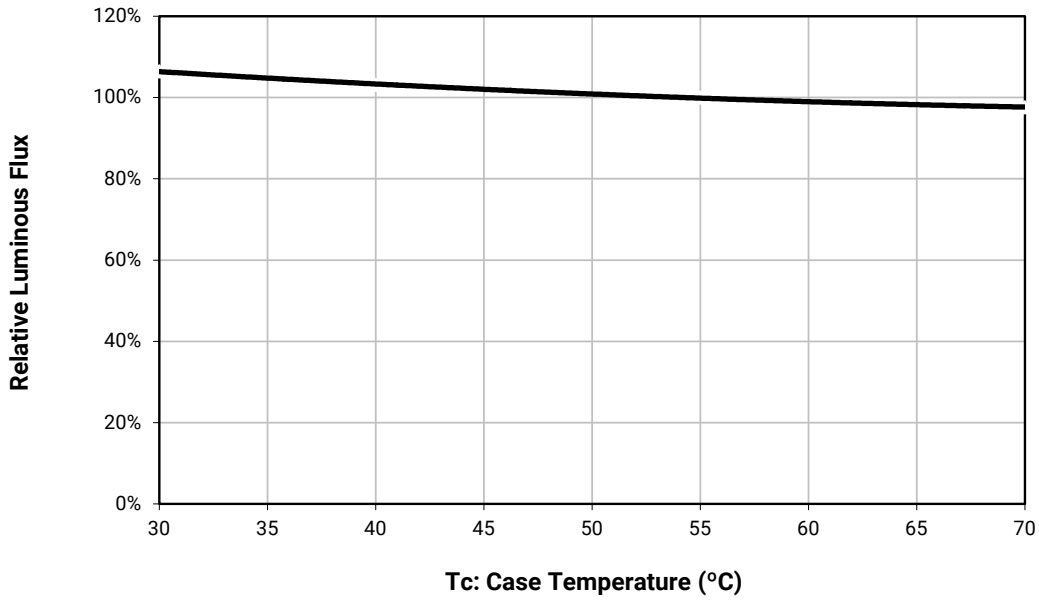
Test Conditions: $I_F = 440$ mA: 850 & 1250 lm WhiteLight & sunset dimming
 $I_F = 900$ mA: 2000 & 3000 lm WhiteLight dimming
 $I_F = 940$ mA: 2000 & 3000 lm sunset dimming
 $I_F = 940$ mA: 4000 lm WhiteLight dimming
 $I_F = 1700$ mA: 6000 lm WhiteLight dimming
 $I_F = 2000$ mA: 8000 lm WhiteLight dimming
 Steady-state operation



RELATIVE LUMINOUS FLUX VS. CASE TEMPERATURE - CONTINUED

LMH2+

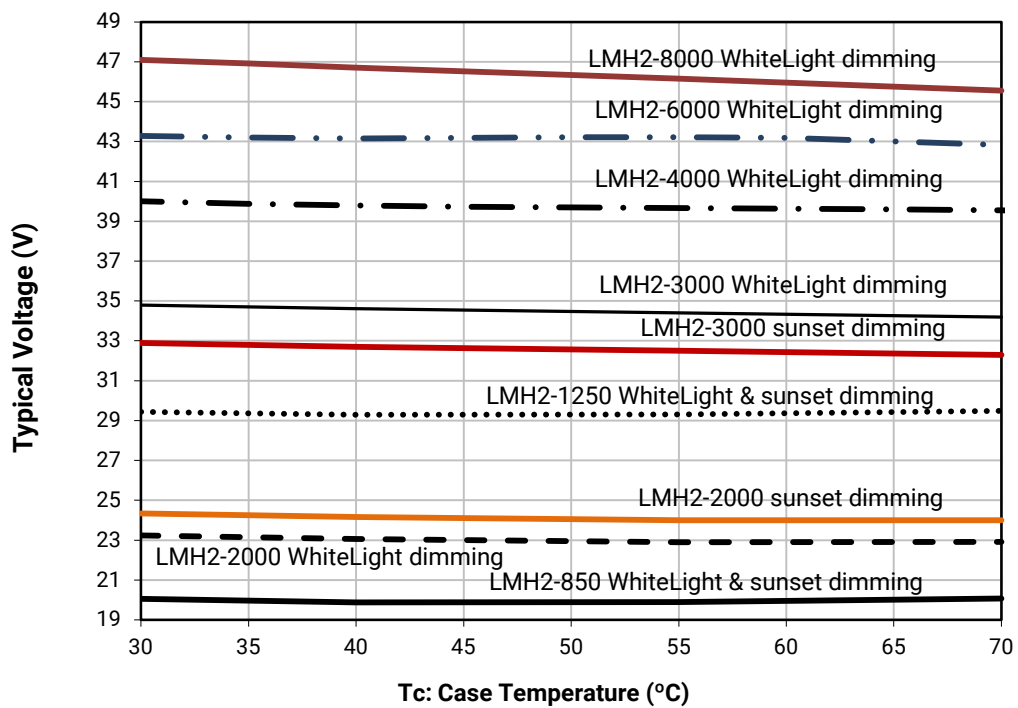
Test Conditions: $I_F = 450 \text{ mA}$: 1250 & 2000 lm WhiteLight dimming
 $I_F = 600 \text{ mA}$: 3000 lm WhiteLight dimming
 Steady-state operation



TYPICAL VOLTAGE VS. CASE TEMPERATURE

LMH2

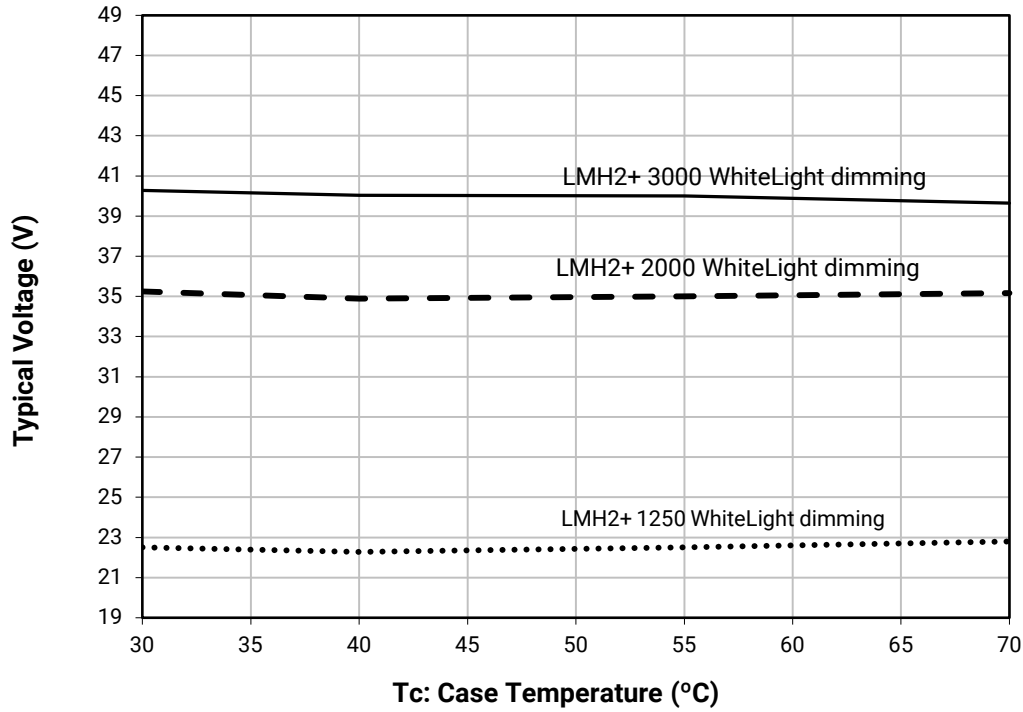
Test Conditions: $I_F = 440 \text{ mA}$: 850 & 1250 lm WhiteLight & sunset dimming
 $I_F = 900 \text{ mA}$: 2000 & 3000 lm WhiteLight dimming
 $I_F = 940 \text{ mA}$: 2000 & 3000 lm sunset dimming
 $I_F = 940 \text{ mA}$: 4000 lm WhiteLight dimming
 $I_F = 1700 \text{ mA}$: 6000 lm WhiteLight dimming
 $I_F = 2000 \text{ mA}$: 8000 lm WhiteLight dimming
 Steady-state operation



TYPICAL VOLTAGE VS. CASE TEMPERATURE - CONTINUED

LMH2+

Test Conditions: $I_F = 450 \text{ mA}$: 1250 & 2000 lm WhiteLight dimming
 $I_F = 600 \text{ mA}$: 3000 lm WhiteLight dimming
 Steady-state operation

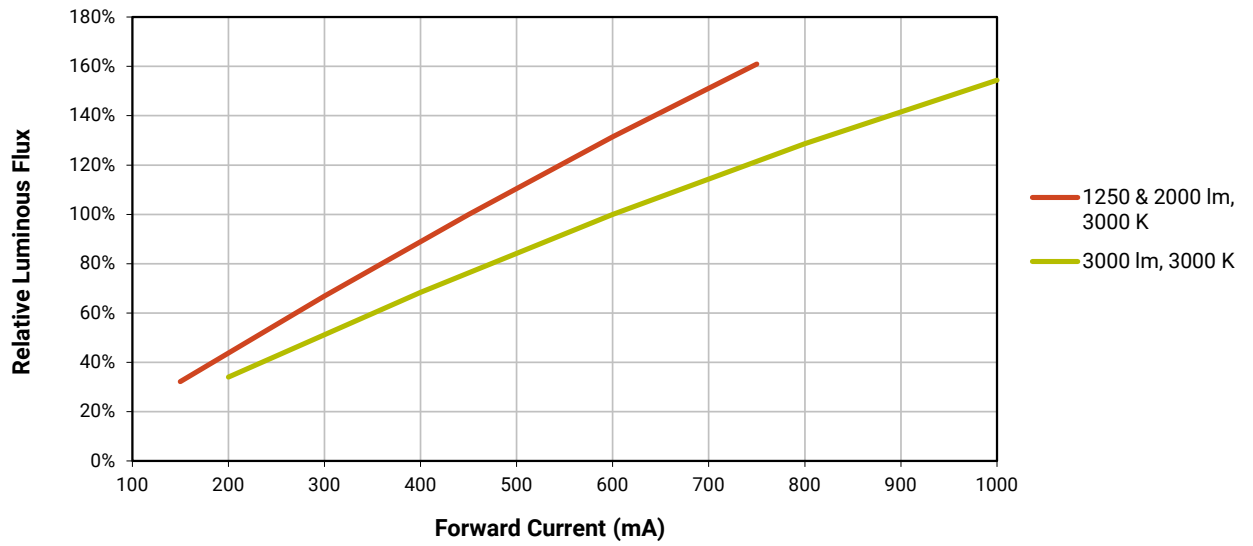


RELATIVE LUMINOUS FLUX VS. CURRENT

LMH2+

Test Conditions: $T_c = 55\text{ }^\circ\text{C}$

Steady-state operation

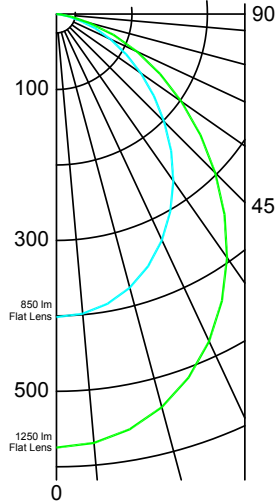


PHOTOMETRY

With Flat Lens

Intensity (Candlepower)

Angle	850	1250
0°	402	575
5°	399	571
15°	375	539
25°	331	479
35°	270	394
45°	202	297
55°	136	202
65°	79	118
75°	30	45
85°	3	5
90°	0	0



Zonal Lumens - 850

Zone	Lumens	%
0-30°	295	34
0-40°	464	54
0-60°	742	87
0-90°	858	100
0-180°	858	100

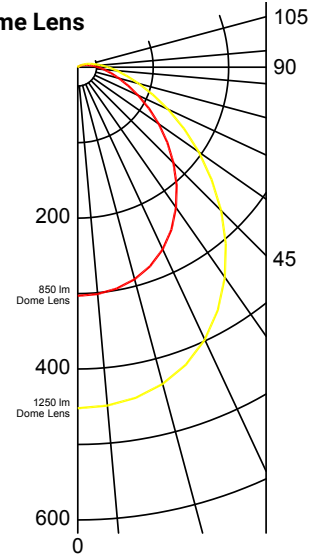
Zonal Lumens - 1250

Zone	Lumens	%
0-30°	426	34
0-40°	672	54
0-60°	1082	86
0-90°	1256	100
0-180°	1256	100

With Dome Lens

Intensity (Candlepower)

Angle	850	1250
0°	309	461
5°	307	457
15°	297	442
25°	272	405
35°	229	339
45°	177	262
55°	126	187
65°	84	124
75°	53	78
85°	34	50
90°	27	39



Zonal Lumens - 850

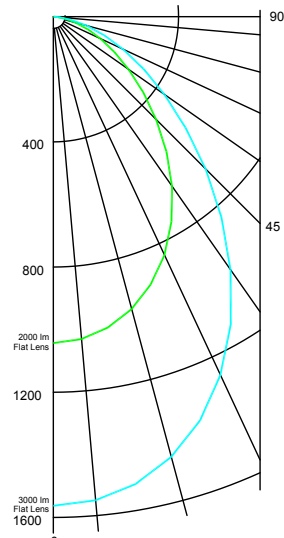
Zone	Lumens	%
0-30°	233	27
0-40°	375	44
0-60°	631	73
0-90°	818	95
0-180°	862	100

Zonal Lumens - 1250

Zone	Lumens	%
0-30°	349	27
0-40°	561	44
0-60°	945	73
0-90°	1224	95
0-180°	1289	100

Intensity (Candlepower)

Angle	2000	3000
0°	1043	1563
5°	1034	1551
15°	967	1456
25°	840	1263
35°	661	987
45°	464	688
55°	293	433
65°	166	245
75°	73	110
85°	11	17
90°	0	0



Zonal Lumens - 2000

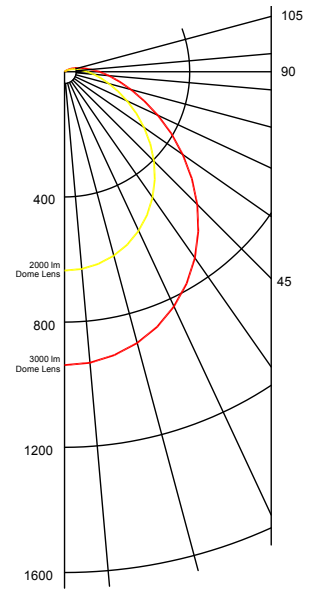
Zone	Lumens	%
0-30°	755	37
0-40°	1168	57
0-60°	1790	87
0-90°	2049	100
0-180°	2049	100

Zonal Lumens - 3000

Zone	Lumens	%
0-30°	1136	37
0-40°	1752	57
0-60°	2673	87
0-90°	3058	100
0-180°	3058	100

Intensity (Candlepower)

Angle	2000	3000
0°	683	1008
5°	680	1003
15°	654	965
25°	603	890
35°	527	781
45°	435	645
55°	334	496
65°	237	354
75°	158	236
85°	101	153
90°	79	120



Zonal Lumens - 2000

Zone	Lumens	%
0-30°	527	25
0-40°	856	40
0-60°	1490	70
0-90°	2006	94
0-180°	2129	100

Zonal Lumens - 3000

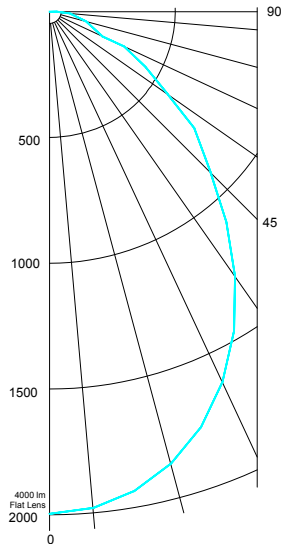
Zone	Lumens	%
0-30°	777	25
0-40°	1266	40
0-60°	2207	70
0-90°	2977	94
0-180°	3165	100

PHOTOMETRY - CONTINUED

With Flat Lens

**Intensity
(Candlepower)**

Angle	4000
0°	1996
5°	1981
15°	1861
25°	1626
35°	1286
45°	907
55°	575
65°	329
75°	151
85°	29
90°	0

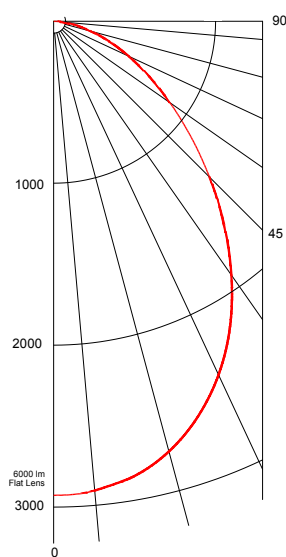


Zonal Lumens - 4000

Zone	Lumens	%
0-30°	1457	36
0-40°	2260	56
0-60°	3477	87
0-90°	4004	100
0-180°	4004	100

**Intensity
(Candlepower)**

Angle	6000
0°	2927
5°	2909
15°	2750
25°	2409
35°	1914
45°	1361
55°	877
65°	512
75°	237
85°	42
90°	0



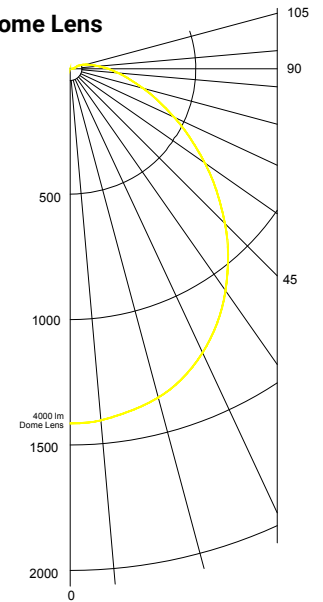
Zonal Lumens - 6000

Zone	Lumens	%
0-30°	2155	36
0-40°	3349	56
0-60°	5189	86
0-90°	6008	100
0-180°	6008	100

With Dome Lens

**Intensity
(Candlepower)**

Angle	4000
0°	1414
5°	1407
15°	1357
25°	1249
35°	1080
45°	873
55°	656
65°	458
75°	301
85°	192
90°	151

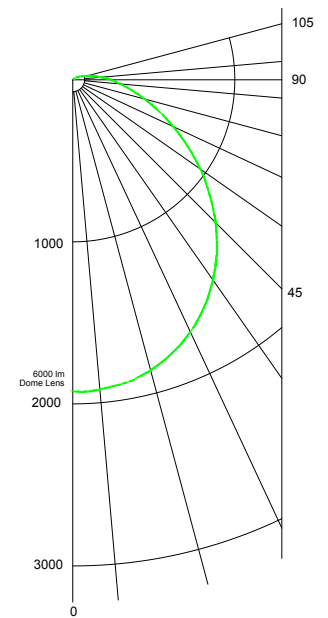


Zonal Lumens - 4000

Zone	Lumens	%
0-30°	785	18
0-40°	1422	33
0-60°	2751	64
0-90°	4030	94
0-180°	4275	100

**Intensity
(Candlepower)**

Angle	6000
0°	1925
5°	1919
15°	1856
25°	1717
35°	1508
45°	1247
55°	961
65°	688
75°	462
85°	299
90°	237



Zonal Lumens - 6000

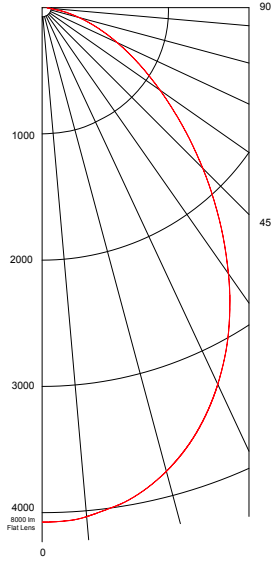
Zone	Lumens	%
0-30°	1497	24
0-40°	2440	40
0-60°	4262	70
0-90°	5766	94
0-180°	6127	100

PHOTOMETRY - CONTINUED

With Flat Lens

**Intensity
(Candlepower)**

Angle	8000
0°	4075
5°	4047
15°	3802
25°	3292
35°	2573
45°	1800
55°	1141
65°	658
75°	304
85°	56
90°	4



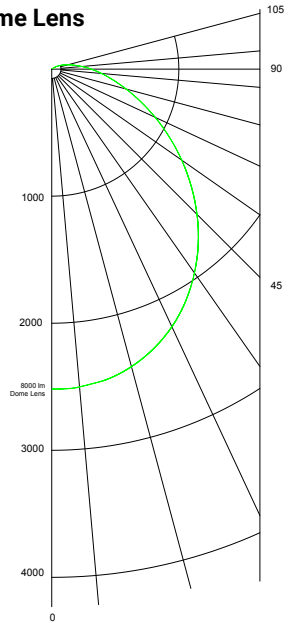
Zonal Lumens - 8000

Zone	Lumens	%
0-30°	2963	37
0-40°	4569	57
0-60°	6986	87
0-90°	8041	100
0-180°	8041	100

With Dome Lens

**Intensity
(Candlepower)**

Angle	8000
0°	2518
5°	2511
15°	2424
25°	2237
35°	1958
45°	1617
55°	1249
65°	899
75°	607
85°	394
90°	313



Zonal Lumens - 8000

Zone	Lumens	%
0-30°	1953	24
0-40°	3177	40
0-60°	5543	69
0-90°	7514	94
0-180°	8005	100

PERFORMANCE GROUPS - CHROMATICITY

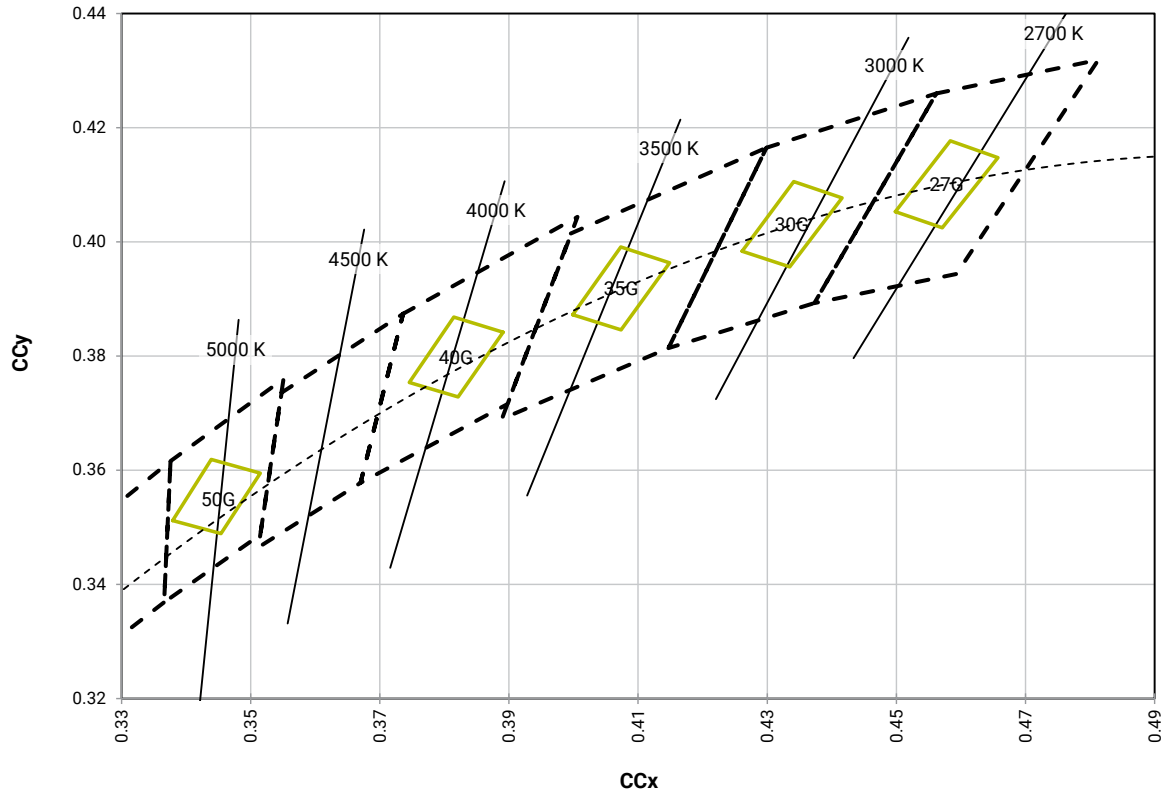
LMH2 test conditions: $I_F = 440 \text{ mA}$: 850 & 1250 lm WhiteLight & sunset dimming
 $I_F = 900 \text{ mA}$: 2000 & 3000 lm WhiteLight dimming
 $I_F = 940 \text{ mA}$: 2000 & 3000 lm sunset dimming
 $I_F = 940 \text{ mA}$: 4000 lm WhiteLight dimming
 $I_F = 1700 \text{ mA}$: 6000 lm WhiteLight dimming
 $I_F = 2000 \text{ mA}$: 8000 lm WhiteLight dimming
 Steady-state operation

LMH2+ test conditions: $I_F = 450 \text{ mA}$: 1250 & 2000 lm WhiteLight dimming
 $I_F = 600 \text{ mA}$: 3000 lm WhiteLight dimming
 Steady-state operation

LMH2 family modules are tested for chromaticity and placed into one of the regions defined by the following bounding coordinates. LMH2 family modules will remain within their target ANSI C78.377A bin at full-on operation as long as the operating limits listed in the Characteristics sections on page 2, page 4 and page 6 are followed.

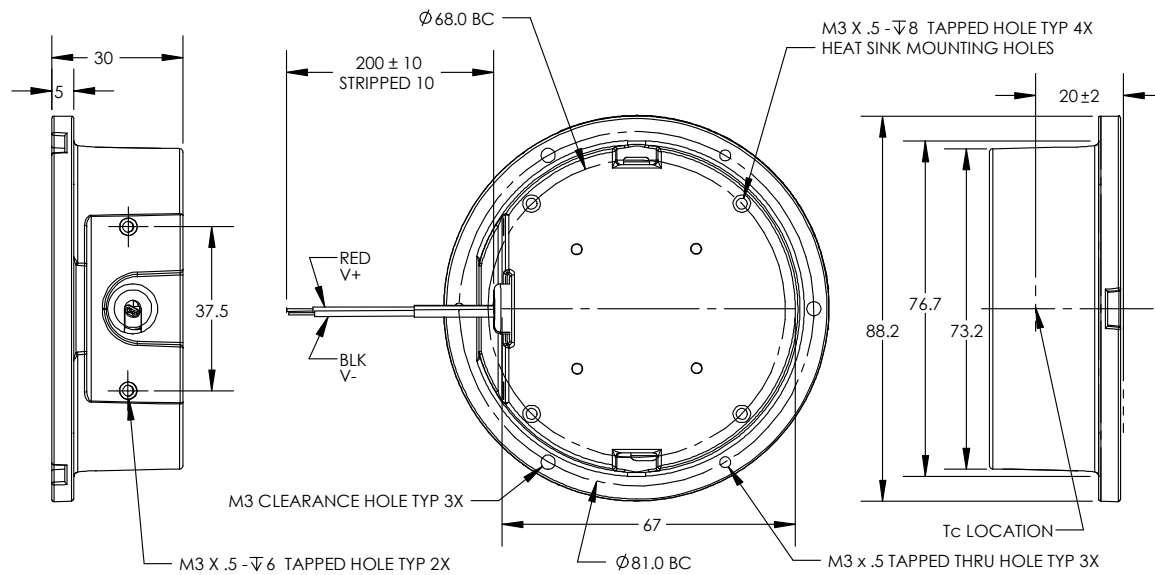
Code	ccx	ccy
27G	0.4499	0.4053
	0.4584	0.4177
	0.4657	0.4148
	0.4571	0.4025
30G	0.4261	0.3984
	0.4341	0.4106
	0.4416	0.4077
	0.4335	0.3956
35G	0.3999	0.3872
	0.4073	0.3991
	0.4149	0.3963
	0.4073	0.3846
40G	0.3891	0.3842
	0.3814	0.3868
	0.3746	0.3754
	0.3821	0.3729
50G	0.3379	0.3512
	0.3439	0.3619
	0.3515	0.3595
	0.3454	0.3489

CHROMATICITY BINS PLOTTED ON THE 1931 CIE COLOR SPACE

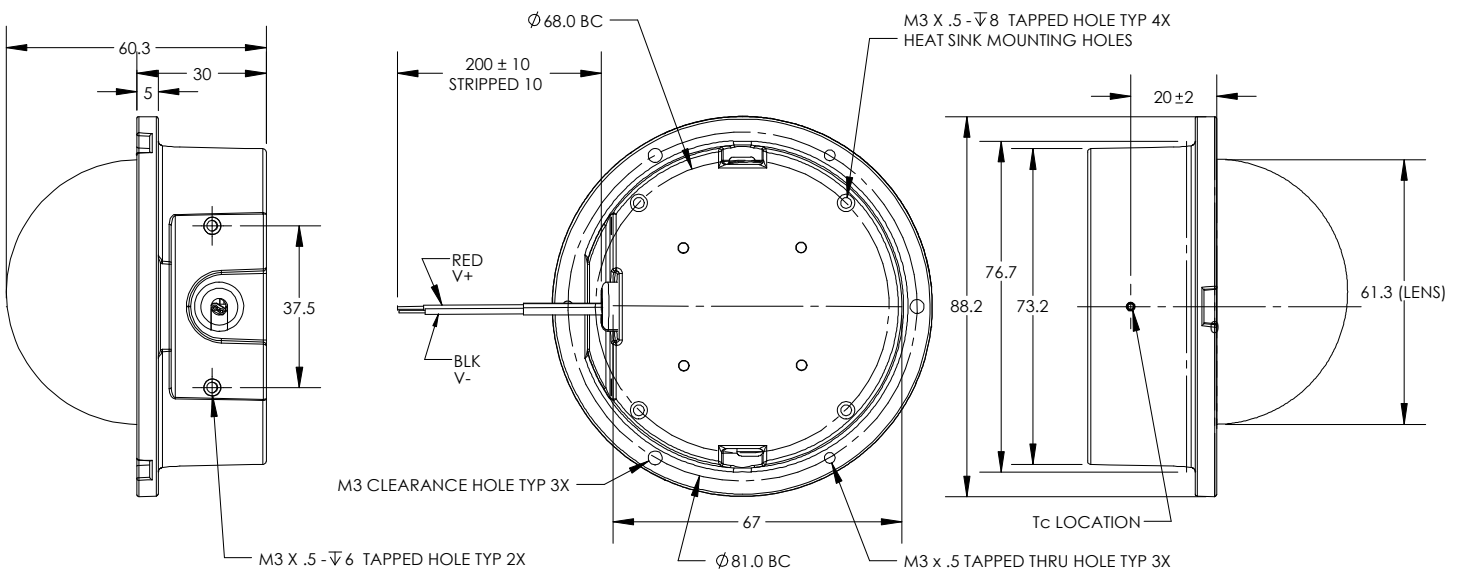


MECHANICAL DIMENSIONS²

LMH2 Family Light Source (Flat Lens)



LMH2 Family Light Source (Dome Lens)



² Dimensions for the diagrams are in mm and are for reference only. For exact dimensions and tolerances, refer to the 3-D models (.STEP files) for the LMH2 light sources available by selecting the Documentation tab on the [LMH2 product page](#).

NOTES

RoHS Compliance

The levels of RoHS restricted materials in this product are below the maximum concentration values (also referred to as the threshold limits) permitted for such substances, or are used in an exempted application, in accordance with EU Directive 2011/65/EC (RoHS2), as implemented January 2, 2013. RoHS Declarations for this product can be obtained from your Cree representative or from the [Product Ecology](#) section of the Cree website.

ENERGY STAR®

The 850- and 1250-lm versions of the LMH2 module are listed in the ENERGY STAR® [Certified Lighting Subcomponent Database \(CSD\)](#).

Vision Advisory

Users should be cautioned not to stare at the light of this LED product. The bright light can damage the eye. For more information about LEDs and eye safety, please refer to the [LED Eye Safety application note](#).

PACKAGING

LMH2 family light sources are packaged in boxes of 10, which are then combined in cartons of 5 boxes, or 50 LMH2 family light sources. Box and carton sizes are as follows.

Box of 10 LMH2 family light sources: 320 x 280 x 115 mm

Carton of 5 LMH2 family boxes: 600 x 300 x 350 mm

Optional heat sinks are packaged in boxes of 10. Each box also includes 40 screws. Boxes are combined in cartons as shown below. Box and carton sizes are as follows.

Heat Sink	Part Number	Box Size (mm)	Carton Size (mm)
Optional Heat Sink 1	LMH020-HS00-000-000001	450 x 95 x 95	Carton of 5 boxes, or 50 heat sinks: 500 x 460 x 115
Optional Heat Sink 2	LMH020-HS00-000-000002	600 x 120 x 120	Carton of 2 boxes, or 20 heat sinks: 620 x 260 x 150
Optional Heat Sink 3	LMH020-HS00-000-000061	750 x 296 x 120	No carton used
Optional Heat Sink 4	LMH020-HS00-000-000081	872 x 208 x 120	No carton used