

## Cree® LMR4 LED Module with EasyWhite® Technology

Cree LED Modules provide a simple solution for lighting designers and manufacturers to adopt best-in-class LED lighting from Cree. The LMR series continues Cree's history of innovation in LEDs for lighting applications and provides a comprehensive solution for LED light sources.

This versatile LED lighting module allows design flexibility with a fully integrated, small form factor design that is also drop-in compatible with the LMR4 Cree TrueWhite® Technology version that provides higher color quality. The Cree LED Module LMR4 EasyWhite is the ideal choice for general indoor and outdoor lighting applications that require an LED solution with excellent color consistency. The compact module form factor is a benefit to lighting manufacturers seeking a simple solution to adopt LED lighting or cost-effectively expand their existing LED-lighting product portfolio.

### FEATURES

- Comprehensive solution with driver electronics, optics and core thermals
- 700 lm @ 2700, 3000, 3500 and 4000 K CCT
- Supports dimming to 5%
- Designed to last at least 35,000 hours at L70
- Versatile form factor
- Cree IES LM-80 data in support of US ENERGY STAR® qualification
- The LMR4 (120 V) is UL-recognized and California Title 24-compliant

### BENEFITS FOR END USERS

- Vibrant color rendering showcases the full beauty of people, rooms and merchandise with > 80 CRI
- Uniform, visually comfortable appearance whether powered on or off by means of proprietary optics
- Consistent light quality over time and temperature delivered by built-in optical management system
- Dimming down to 5% of rated light output using standard incandescent and electronic low-voltage dimmers
- No UV or mercury



**CHARACTERISTICS**

The following table provides several base order codes for the Cree LED module LMR4, as well as a description of the order code nomenclature.

| Color         | CCT*   | Nominal Luminous Flux (lm) | CRI | Input Power | Input Voltage/Frequency | Power Factor | Order Code               |
|---------------|--------|----------------------------|-----|-------------|-------------------------|--------------|--------------------------|
| Neutral White | 4000 K | 700                        | 80  | 12 W        | 120 V/60 Hz             | >.80         | LMR040-0700-40F8-10100EW |
| Warm White    | 3500 K | 700                        | 80  | 12 W        | 120 V/60 Hz             | >.80         | LMR040-0700-35F8-10100EW |
| Warm White    | 3000 K | 700                        | 80  | 12 W        | 120 V/60 Hz             | >.80         | LMR040-0700-30F8-10100EW |
| Warm White    | 2700 K | 700                        | 80  | 12 W        | 120 V/60 Hz             | >.80         | LMR040-0700-27F8-10100EW |

\* Refer to Chromaticity section below for more details.

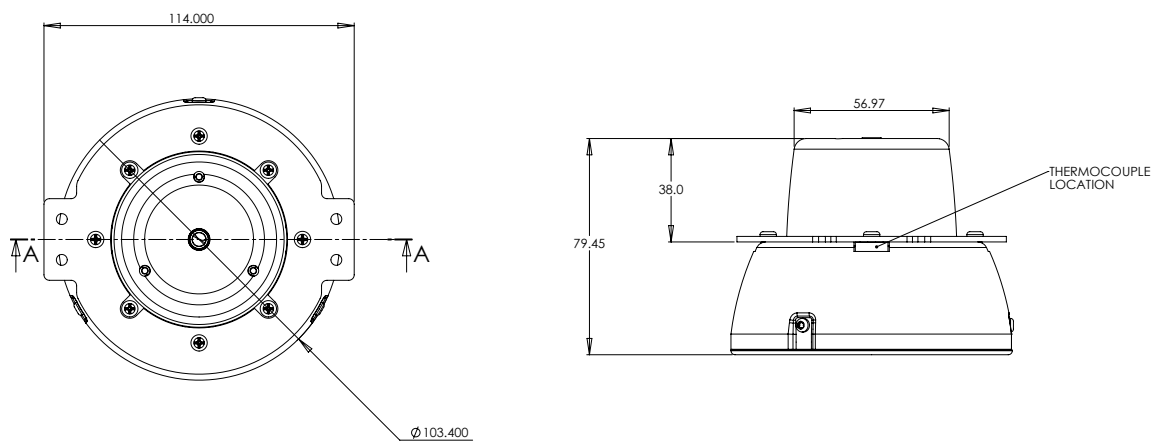
Note: Cree maintains a tolerance of +/- 7% on flux and power measurements.

**FORM FACTOR**

The Cree LED module LMR4 is constructed with a durable machined aluminum housing and comes complete with an integrated thermal management system. This system conducts heat away from LEDs and transfers it to the mounting plate junction, providing luminaire designers with the flexibility to further optimize their thermal design.

Form factor and measurements are shown below and additional details are also available by downloading the STEP file from [www.cree.com/modules](http://www.cree.com/modules). The standard product configuration consists of the module with the mounting plate attached.

The weight of the module with mounting plate is approximately 250 grams.



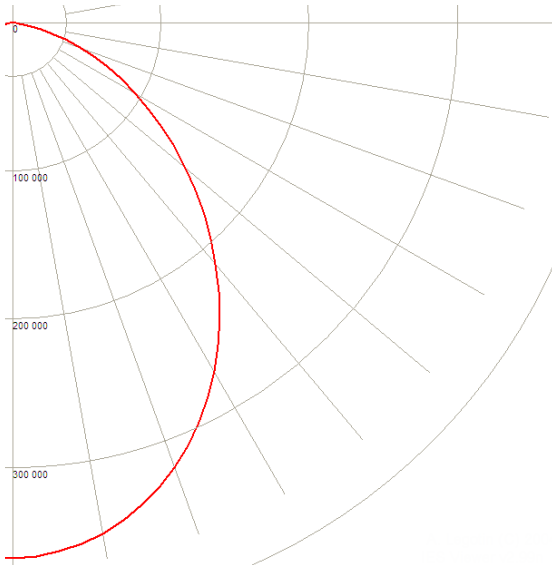
The operating temperature of the Cree LED Module LMR4 is between 0 °C and 50 °C. The lifetime and performance estimates described in this document apply only if the product’s Thermal Management Guidelines (below) are adhered to and no modifications are made except as described in this document.

The LED module is flexible; use of the detachable mounting plate depends on the design requirements. Secondary optics may be added to the module diffuser and lens but will likely reduce light output and could also alter the color characteristics of the final luminaire design.

**THERMAL MANAGEMENT GUIDELINES**

The Cree LED module LMR4 is designed to perform in a variety of environments; however, the LED module lifetime is highly dependent upon the operating temperature. To achieve lifetime and performance estimates, and maintain the warranty, the final design cannot exceed 70 degrees Celsius at thermal equilibrium, based on the thermocouple (Tc) location shown in the Form Factor section above. Follow the mechanical and thermal design guidelines listed in the Cree [LMR4 LED Module Design Guide](#) to ensure proper thermal management.

**PHOTOMETRY**



**Intensity (Candlepower) Summary**

| Angle | Mean CP |
|-------|---------|
| 0     | 365.33  |
| 5     | 362.08  |
| 15    | 340.77  |
| 25    | 300.22  |
| 35    | 245.59  |
| 45    | 184.32  |
| 55    | 124.33  |
| 65    | 71.01   |
| 75    | 37.00   |
| 85    | 27.62   |
| 90    | 0.10    |

**Zonal Lumens Summary**

| Zone | Lumens | % Lamp | % Fixt |
|------|--------|--------|--------|
| 0-30 | 242.9  | 35%    | 35%    |
| 0-40 | 381.5  | 55%    | 55%    |
| 0-60 | 607.6  | 87%    | 87%    |
| 0-90 | 700    | 100%   | 100%   |

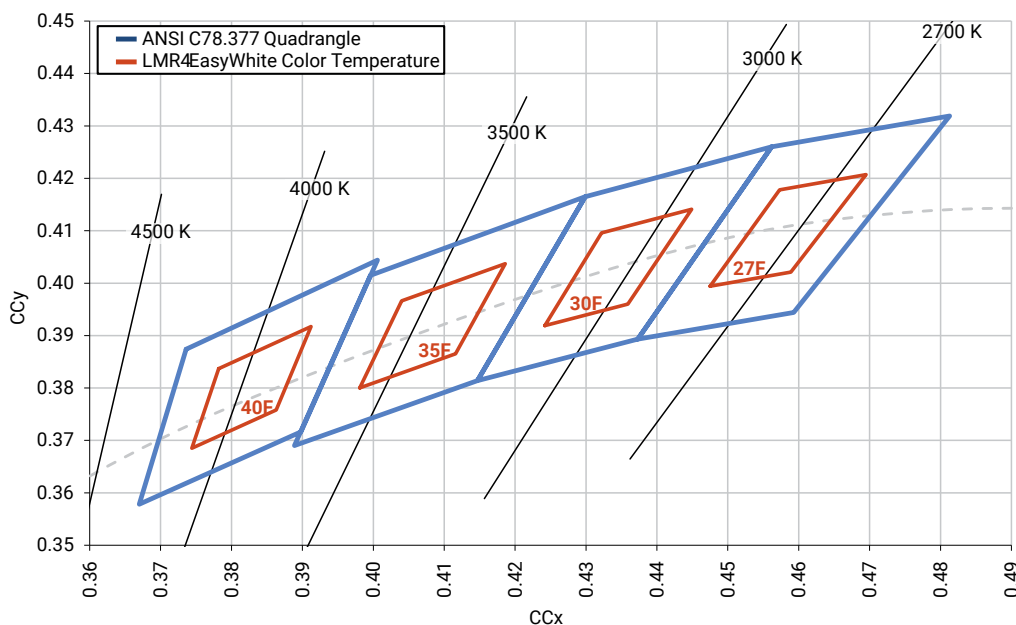
**CHROMATICITY**

The Cree LMR4 LED module provides high color consistency around the specified color temperature. Individual LEDs are tested and matched in order to meet our designed chromaticity specification.

Secondary optics can be added to the module but will reduce light output and may also alter the color characteristics of the final luminaire design.

| EasyWhite Color Temperatures – 4-Step |        |        |        |
|---------------------------------------|--------|--------|--------|
| Code                                  | CCT    | x      | y      |
| 40F                                   | 4000 K | 0.3744 | 0.3685 |
|                                       |        | 0.3782 | 0.3837 |
|                                       |        | 0.3912 | 0.3917 |
|                                       |        | 0.3863 | 0.3758 |
| 35F                                   | 3500 K | 0.3981 | 0.3800 |
|                                       |        | 0.4040 | 0.3966 |
|                                       |        | 0.4186 | 0.4037 |
|                                       |        | 0.4116 | 0.3865 |
| 30F                                   | 3000 K | 0.4242 | 0.3919 |
|                                       |        | 0.4322 | 0.4096 |
|                                       |        | 0.4449 | 0.4141 |
|                                       |        | 0.4359 | 0.3960 |
| 27F                                   | 2700 K | 0.4586 | 0.4203 |
|                                       |        | 0.4684 | 0.4164 |
|                                       |        | 0.4569 | 0.4000 |
|                                       |        | 0.4473 | 0.4037 |

**CREE EASYWHITE® COLOR TEMPERATURES PLOTTED ON THE 1931 CIE CURVE**



**ORDER CODE FORMAT**

