



MBA Ø 22 panel mounted timers MBA2F Part number 88901308



Solid state output

- Panel-mounted pushbutton-type timer
- Function A delay on energisation
- 10 timing ranges : 0.05 s to 60 min
- Supply 24 V DC and 110 →240 V DCAC 50 →60 Hz
- Fast adjustment of timing period on PLCs (compatible with IEC1131)
- IP 65

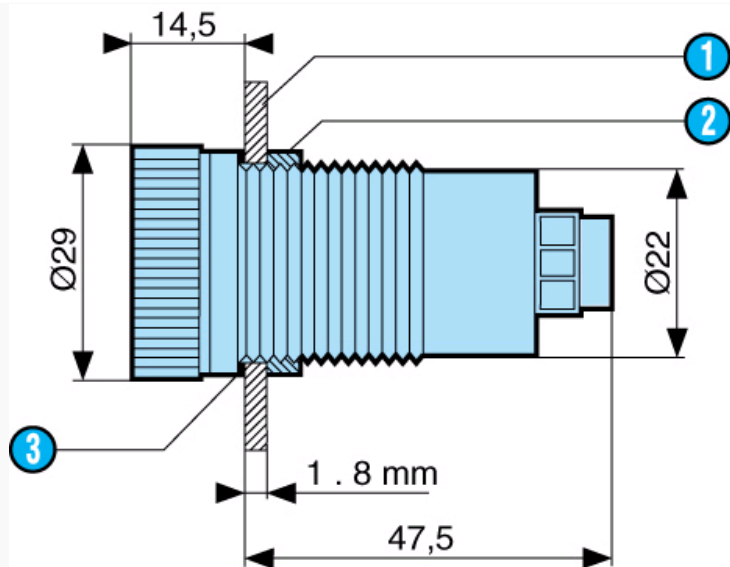
Part numbers

| | Type | Functions | Time ranges | Output | Nominal rating | Supply voltage |
|----------|-------|-----------|-------------|-------------|----------------|------------------|
| 88901308 | MBA2F | A | 0,1 s →1 s | solid state | 400 mA | 100 →240 V AC/DC |

Specifications

| | |
|---|---|
| Repetition accuracy (with constant parameters) | +/-0,2 % |
| Display precision | ± 5 % |
| Maximum reset time by de-energisation MBA3F during timed delay | 7 ms |
| Maximum reset time by de-energisation MBA3F after timing | 5 ms |
| Maximum reset time by de-energisation MBA2F after timing | 60 ms |
| Maximum reset time by de-energisation MBA2F after timing | 30 ms |
| Solid state open collector PNP output | ■ |
| Voltage drop at terminals | MBA2F : ≤ 5 V AC MBA3F : ≤ 3 V DC |
| Nominal rating | MBA2F : 400 mA at 200C (derating 5 mA/ °C) MBA3F : 200 mA at 20 °C (derating 1.5 mA/ °C) |
| Leakage current | MBA2F : ≤ 5 mA AC MBA3F : ≤ 0,1 mA DC |
| Electrical life (number of operations) | > 10 ⁸ |
| Protection against polarity inversions | ■ |
| Protection against load short circuits | ■ |
| Display of output state by LED : output in operation | ■ |
| Display of output state by LED : Power on | ■ |
| Dielectric strength (V rms) | 1500 V / 50 Hz / 1 min |
| Ripple | ± 10 % |
| Temperature limits use (°C) | -20 →+60 |
| Temperature limits stored (°C) | -20 →+80 |
| Varistor protection against overvoltage | ■ |
| Drift Temperature | +/- 0,05 %/ °C |
| Drift Voltage | +/- 0,2 %/V |
| Conformity to standards VDE 0435 / ICE 255 / ICE 1131 / ICE 801 4 | ■ |
| Protection class according to NFC C 20010-IEC 529-DIN 40050 Panel-mounted | IP65 |
| Protection class according to NFC C 20010 - IEC 529 - DIN 40050 Terminal | IP10 |
| Housing material | Self-extinguishing |
| Terminal capacity Single-wire | 1 x 4 mm ² |
| Terminal capacity Multi-wire with ferrule | 1 x 2,5 mm ² |
| Terminal screws | M3 |
| Tightening torque (Nm) | 0,5 Nm |
| Weight (g) | 27 |

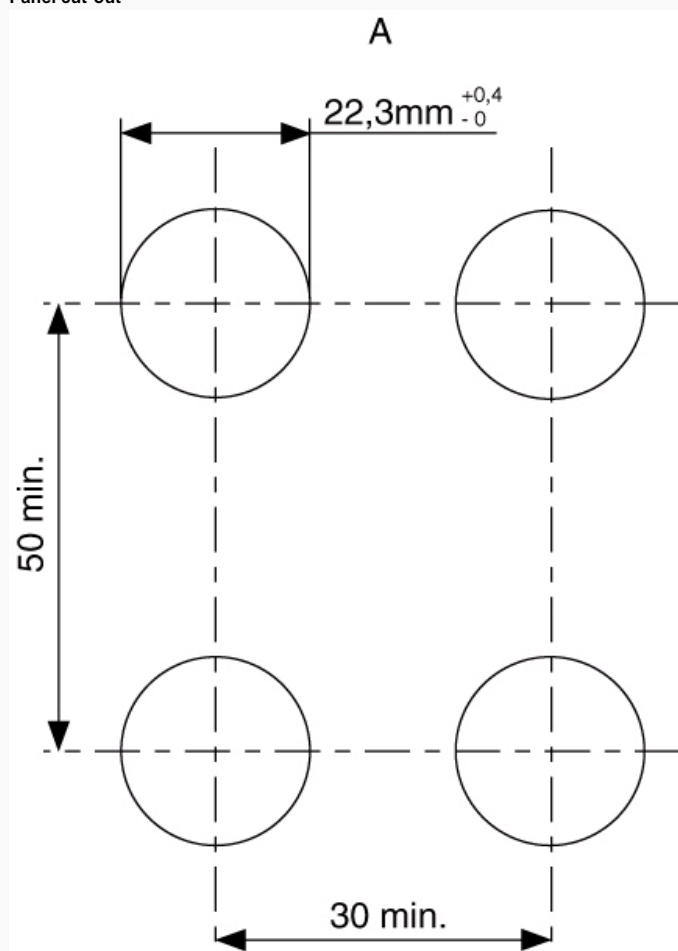
Dimensions (mm)



| N° | Legend |
|----|--------------|
| 1 | Panel |
| 2 | Nut |
| 3 | Sealing ring |

Dimensions (mm)

Panel cut-out



Curves

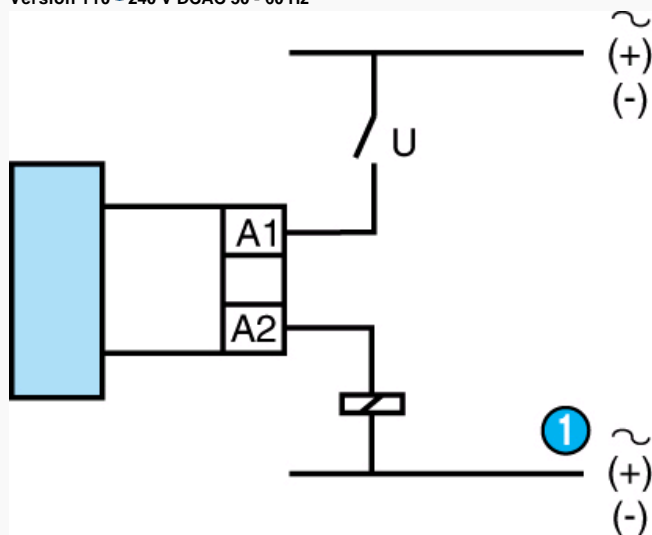


Function A

Delay on energisation

Connections

Version 110 • 240 V DCAC 50 - 60 Hz



[240 V DCAC 50 - 60 Hz" class="link_produits thickbox"> Zoom](#)

| N° | Legend |
|----|------------------------------|
| ① | *** TRADUCTION MANQUANTE *** |