



MTP05 & MTP05C programmable touch panels RD Part number 88970432



- Compact touch panel 3.5" STN monochrome with very high visibility
- 3 colour backlight: green, orange, red
- Compact touch panel 3.5" STN 4096 colours
- White backlight
- QVGA graphic resolution 320 x 240 pixels - 24 lines of 32 characters
- Large viewing angle: 50° horizontally, 60° vertically
- Text, data, graphic display
- Processing of alarms and recipes
- Direct communication via the Millenium 3 programming port
- Programmable with user-friendly MTPWIN software (compatible with Windows 2000/XP/Vista), with rapid transfer by USB cable
- Options: backup battery, SD memory up to 1 GB

	Type	Designation
88970432	RD	User kit MPT05 (MPT05, fixing brackets, connector, MTP-M3 cable)
88970434	RD	MTPWIN relay programming pack (CD, PC - MTP05 USB cable)
88970433	RD	User kit MPT05C (MPT05C, fixing brackets, connector, MTP-M3 cable)
88970434	RD	MTPWIN relay programming pack (CD, PC - MTP05 USB cable)

Environmental characteristics	
Certifications	UL, cUL
Conformity to standards	IEC 61131-2
Operating temperature	0 →+50°C
Storage temperature	-20 →+60°C
Relative humidity	20 →85% (operation) 10 →85% (storage)
Protection rating	IP65 - Dust and droplets Front panel seal watertight as standard Can be replaced using sealing kit 88970444
Vibration resistance	10-55 Hz (1 min cycle) Double amplitude 0.75 mm, 10 min in each of the X, Y, Z axes
Shock resistance	98 m/s ² min 4 times in each of the X, Y, Z axes
Electrical characteristics	
Supply voltage	24 V DC Internal insulation via transformer
Voltage limits	21.6 →26.4 V DC
Consumption	≤ 2.4 W
Mechanical characteristics	
Dimensions (l x h x w)	110 x 92 x 30 mm Useful screen area 73 x 55.2 mm
Panel cut-out	99.2 x 85.2 mm Panel thickness 1 →5 mm
Mounting	Flush-mounted, fixing by 2 yoke screws (supplied) for 1 to 5 mm panel
Connection	Removable 8-pin screw terminal block (supplied)
Connection capacity	0.22 to 0.25 Nm max.
Weight	± 230 g
Display characteristics	
Description	MTP05 LCD monochrome 3.5" STN Backlighting in 3 colours: green, orange, red MTP05C LCD 4096 colours 3.5" STN White backlighting MTP05 & MTP05C Resolution 320 x 240 pixels 24 lines of 32 characters 2048 Kb flash memory (program & recipe backup) Programmable with MTPWIN software Touch panel with user-definable layout 8 pixels min. Contact pressure 0.8 Nm max. Key life: 1 million operations minimum
Option	Clock and values backed up by lithium battery part no. 88970445 Copying, backup or retrieval of screen data on SD memory card (1 GB max, card not supplied)
Display details	Straight lines, continuous straight lines, squares, ovals, arcs, fan shape, bevelled squares, bitmaps
Functions	Messages, indicators, buttons, data, bar charts, clocks, keypads, line graphs and alarm list. Recipes, text scrolling, alarm log, language switching.
Connection	PC→MTP05 link via USB interface (USB type B cable) Millenium→MTP05 direct link using the Millenium programming port via the communication cable

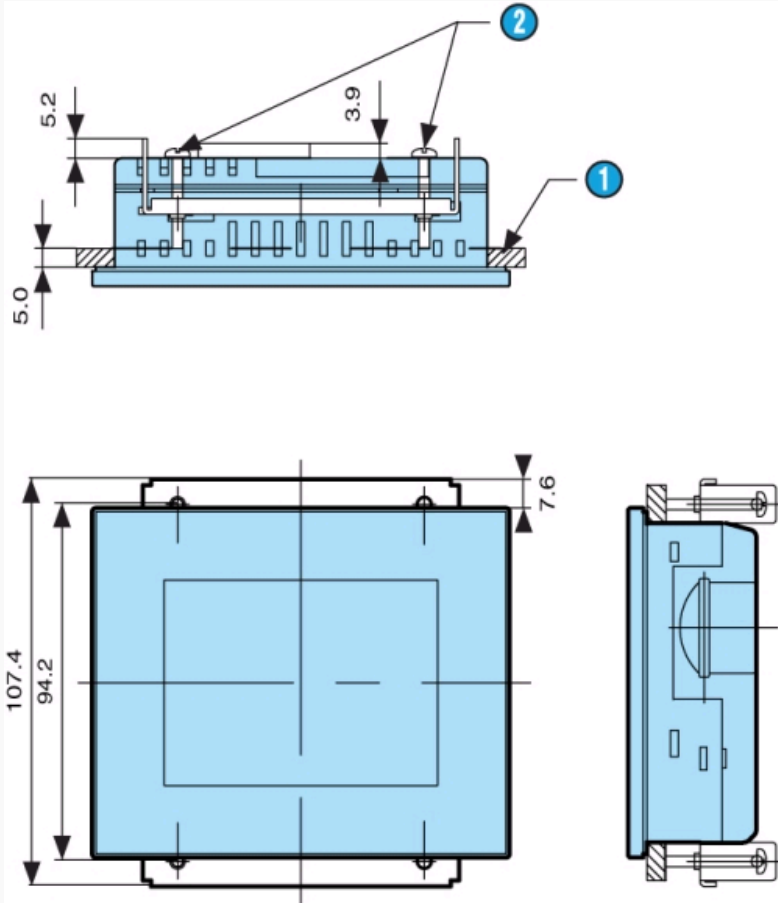
Number of screens	240 approx, depending on the program size
Real-time clock	Uses the Millenium clock or a built-in clock (runs on a lithium battery part no. 88970445)
Languages	English, French, German, Italian, Spanish, Japanese, Korean, simplified Chinese, traditional Chinese, Turkish.

Type	Description	Code
MA	Front panel protective membranes (pack of 10)	88970443
MA	Front panel sealing kit (pack of 10)	88970444
MA	Backup battery for MTP05	88970445

Comments

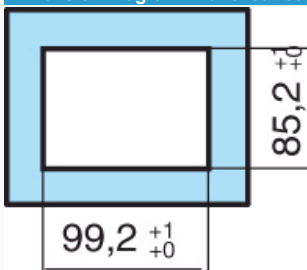
For use with 24 V DC Millenium 3 units only

Dimension Diagram : RD

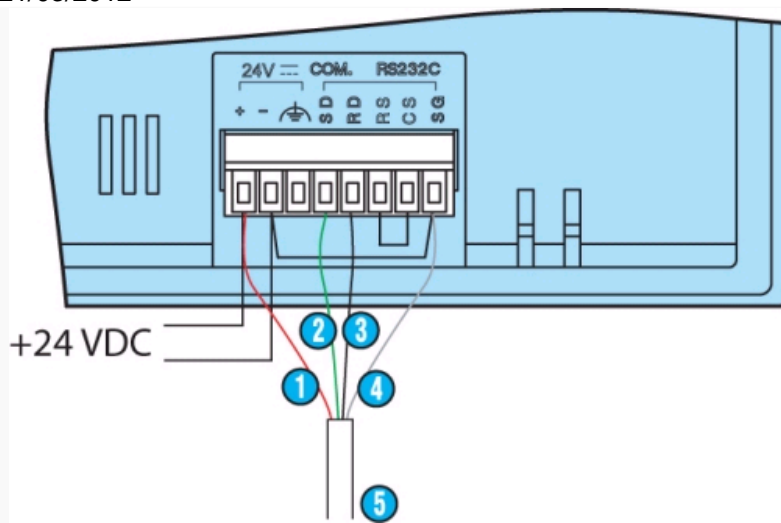


N°	Legend
1	Panel
2	If 5 mm panel

Dimension Diagram : Panel cut-out



: MTP05



N°	Legend
1	Red
2	Green
3	Black
4	White
5	MTP →Millenium 3 cable