

## Temperature sensors AS Part number 89750151



- Integrated converter : 0-10 V output for direct connection to the Millenium 3 analogue inputs

### Part numbers

	Type	Description	Range	Accuracy	Supply	Protection casing	Protection probe
89750151	AS	Ventilation duct	-10 → +60 °C	-0.2 °C ± 1.9 °C	24 V DC	IP65	IP30

### Specifications

#### Environmental characteristics

Ambient temperature	-10 → +60 °C
Ambient humidity	5 → 95 % RH
Housing material	Self-extinguishing

#### Electrical characteristics

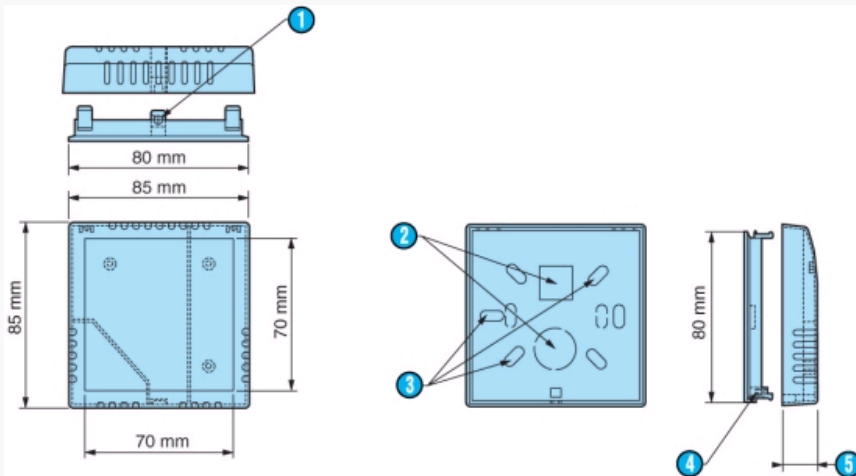
Supply voltage	24 V DC (± 10 %)
Output	0 → 10 V DC
Drift Temperature (%/ °C)	0.01 %/ °C of full scale
Temperature coefficients Offset	1,5 mV / °C

### Accessories

Accessories	Operating temperature	Operating pressure	Code
Copper protective sleeve	-20 → +100 °C	10 bar	89750146
316 stainless steel protective sleeve	-20 → +400 °C	16 bar	89750147

### Dimensions (mm)

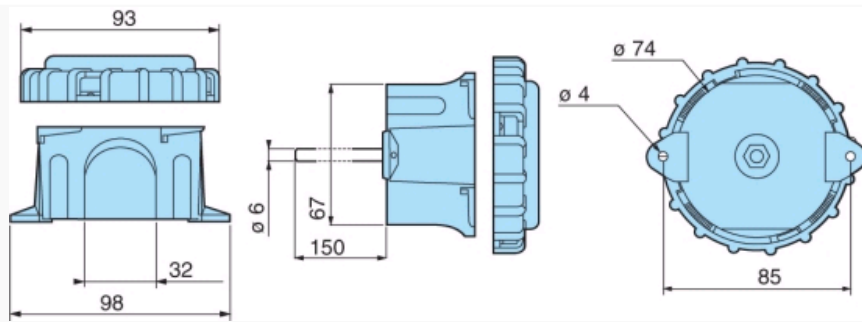
89750150



N°	Legend
1	Ø3 mm for M3 x 8 screw
2	Cut-outs made prior to delivery
3	Fixing holes
4	Indentation for M3 square nut
5	Total depth 26 mm

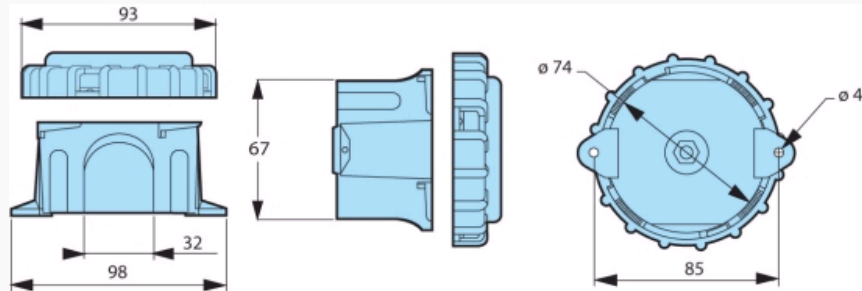
### Dimensions (mm)

89750151



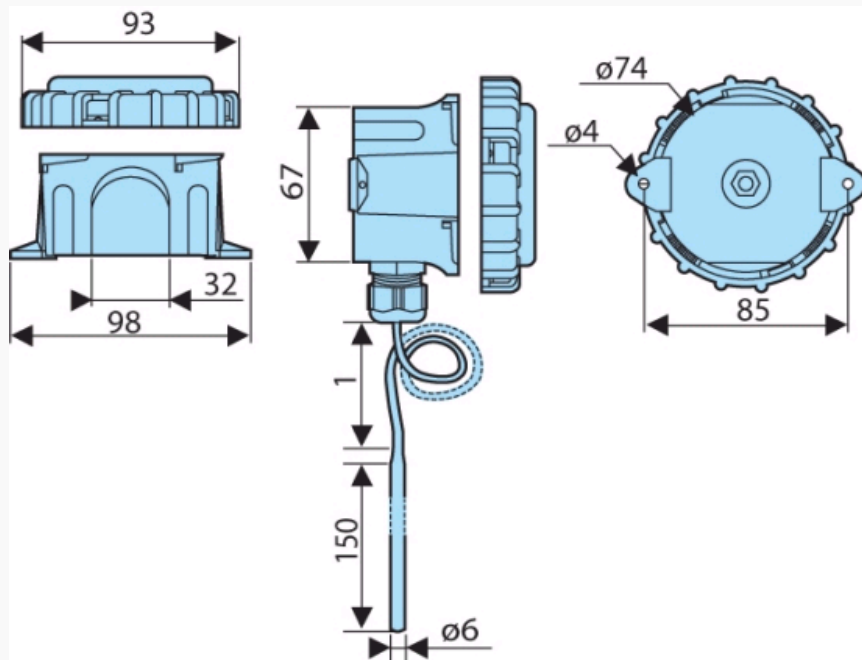
#### Dimensions (mm)

89750152



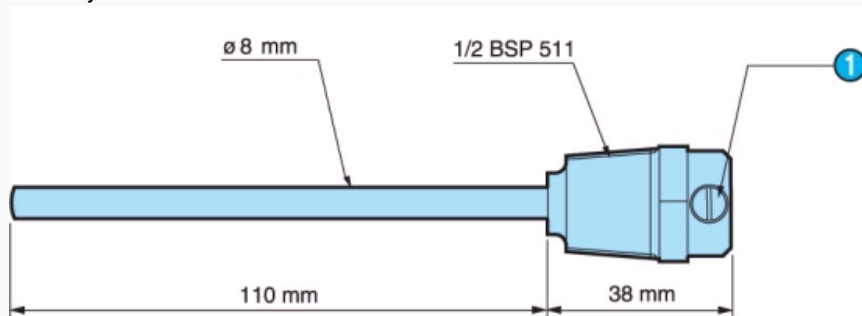
#### Dimensions (mm)

89750153 and 89750155



#### Dimensions (mm)

Accessory 89750147 for 89750153 and 89750155



N°

Legend



M4 screw