

### 83106 2 stable lever positions 831064 Part number made to order



- Double break switching
- Options for operation in stable positions
- Choice of actuators and fixing positions

#### Part numbers

	Type	Function	Connections
<b>MADE TO ORDER</b>	2 stable lever positions 831064	I (changeover)	W3

#### Specifications

##### Electrical characteristics

Rating nominal / 250 VAC (A)	5
Rating thermal / 250 VAC (A)	17,5

##### Mechanical characteristics

Maximum operating force (N)	0,45
Min. Release force (N)	-
Operating position (mm)	-
Min. overtravel (mm)	-
Mechanical life (operations)	10 <sup>6</sup>
Max. permitted overtravel force (N)	-
Maximum rest position (mm)	-
Differential travel (mm)	-
Ambient operating temperature (°C)	-40 → +85
Contact gap (mm)	0,4 x 2
Weight (g)	9

#### Additional specifications

##### Components

###### Material

- Case : polyamide UL94V2 (83 106)
- Contacts : nickel silver

###### Levers

- Mild steel (zinc)
- Roller : polyamide
- Adjusting screws : self-retaining
- Plates : iridescent passivated mild steel (zinc)

**NB** : Fixing holes for these microswitches have metal ferrules.

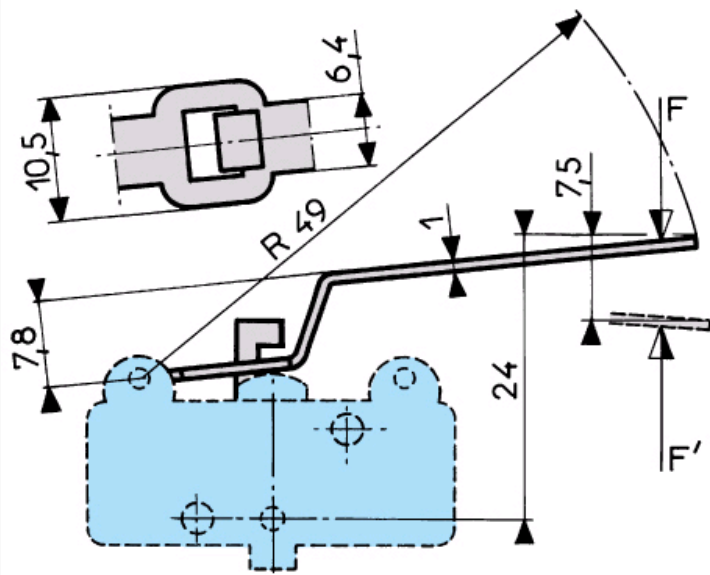
#### Principles



#### Dimensions (mm)

##### Product

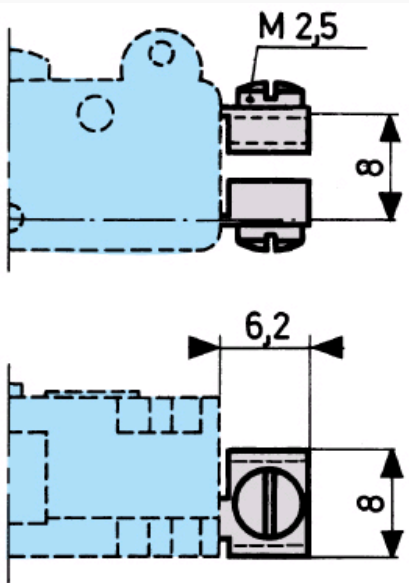
83 106 4



#### Dimensions (mm)

#### Connections

#### W1 screw



#### Dimensions (mm)

#### Connections

#### W2 solder



#### Dimensions (mm)

#### Connections

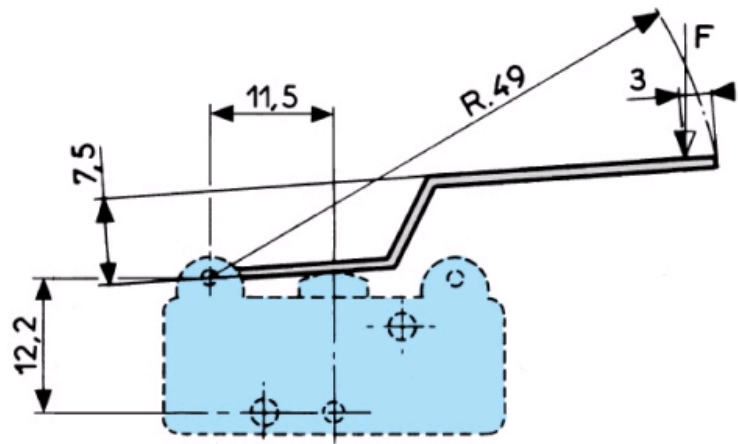
W3 for 6.35 mm clips



#### Dimensions (mm)

#### Actuators

A

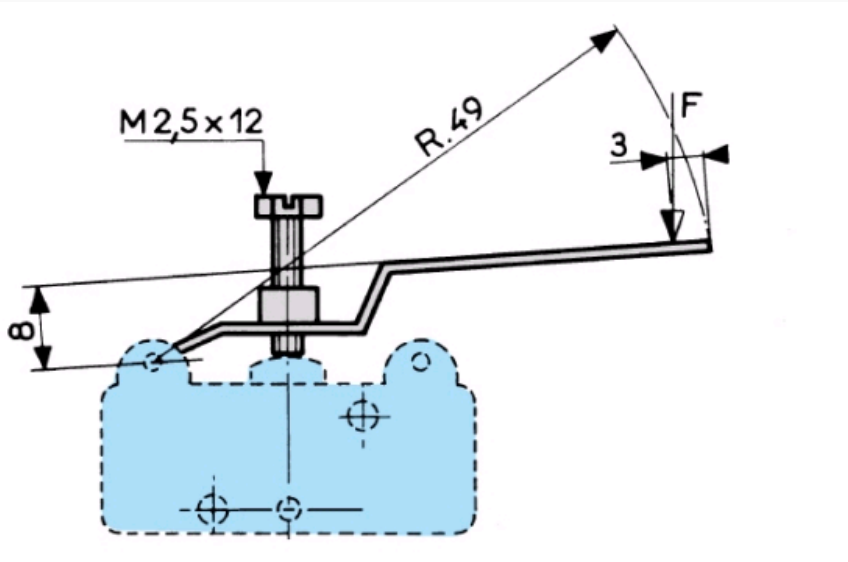


Lever cross-section 1 x 6.4 mm

#### Dimensions (mm)

#### Actuators

B

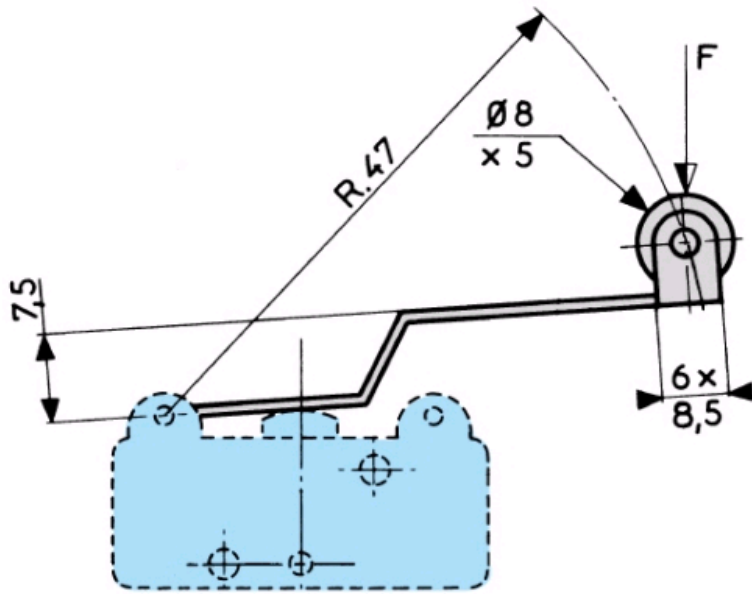


Lever cross-section 1 x 6.4 mm

#### Dimensions (mm)

#### Actuators

E

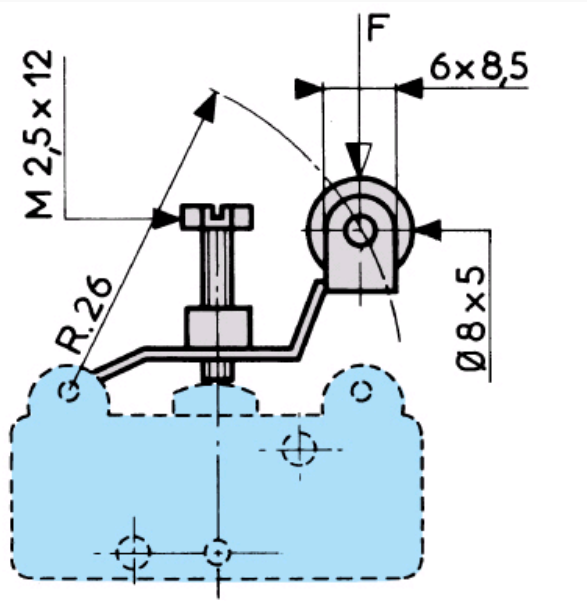


Lever cross-section 1 x 6.4 mm

#### Dimensions (mm)

#### Actuators

□

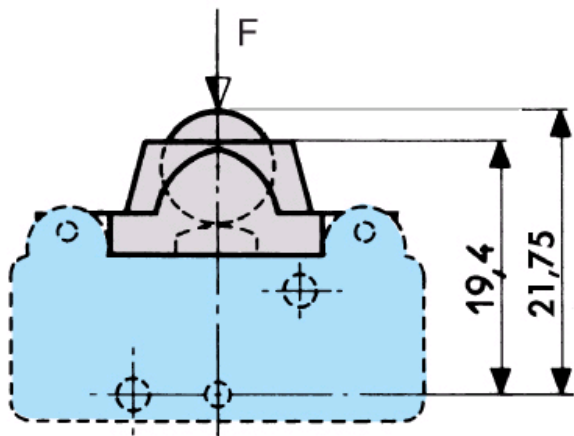


Lever cross-section 1 x 6.4 mm

#### Dimensions (mm)

#### Actuators

B9

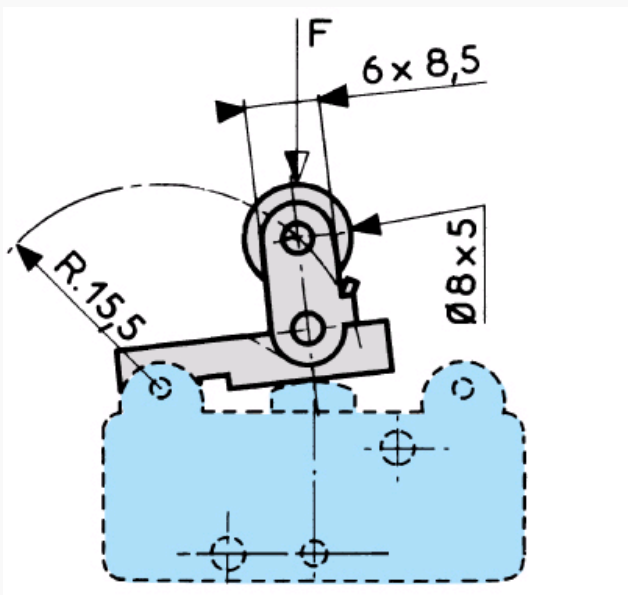


Lever cross-section 1 x 6.4 mm

#### Dimensions (mm)

#### Actuators

V3



Lever cross-section 1 x 6.4 mm

#### Dimensions (mm)

#### Mounting accessories

Y  
Side plate



Lever cross-section 1 x 6.4 mm

#### Dimensions (mm)

#### Mounting accessories

O2

2-pole side mounting plate



Lever cross-section 1 x 6.4 mm

#### Dimensions (mm)

#### Mounting accessories

K2

2-pole vertical mounting plate



Lever cross-section 1 x 6.4 mm

#### Dimensions (mm)

#### Mounting accessories

H  
Horizontal single-pole mounting plate

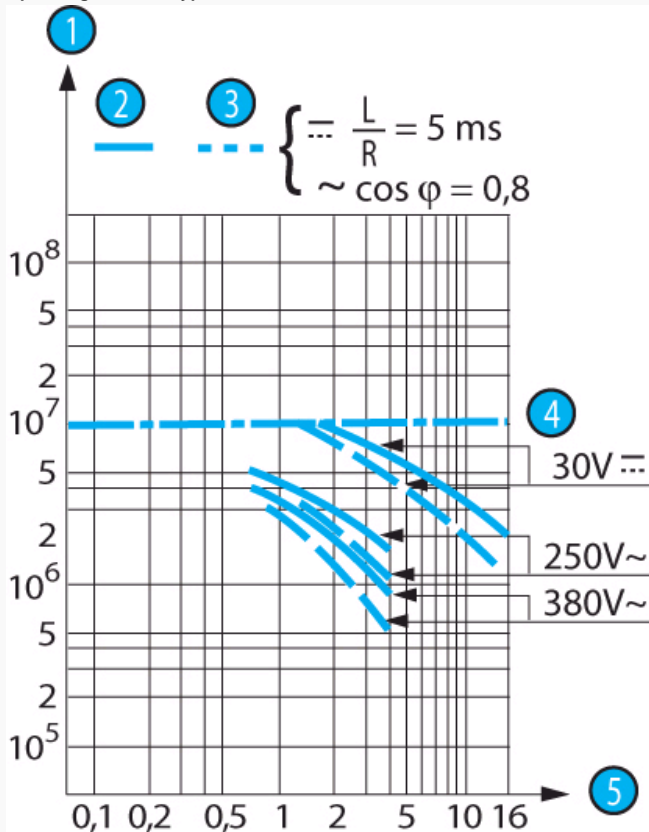




Unless indicated, the thickness of plates is 1.5 mm

**Curves**

Operating curve for types 83 106 0 / 4 / 7



N°	Legend
1	Number of cycles
2	Resistive circuit
3	Inductive circuit
4	Mechanical life limit
5	Current in Amps

**Connections**

Actuators and fixing positions

Actuators and fixing positions						
Actuators	A R49	B R47	E R47	Q	V3 R15.5	B9
Operating force - max.	N 1.2	1.2	1.2	2.8	4	4
Release force - min.	N 0.25	0.25	0.2	0.45	0.8	1
Pre-travel - max.	mm 6.2	6.2	6.2	3.2	1.45	1.5
Differential travel	mm 2.1 <sup>+0.3</sup>	2.1 <sup>+0.3</sup>	2.1 <sup>+0.3</sup>	1.05 <sup>+0.4</sup>	0.5 <sup>+0.2</sup>	0.5 <sup>+0.2</sup>
Total travel max.	mm 7.5	8.4	7.5	4.5	1.9	1.9

Except where otherwise indicated, the flat and roller levers are mounted as shown in the dimensional drawings (mounted on the left).

Mounting accessories

Y Side plate	H Horizontal single-pole mounting plate	O2 2-pole side mounting plate	K2 2-pole vertical mounting plate

**Other information****Mounting - Operation**

See basic technical concepts

**Product adaptations**

- Special levers
- Reinforced spring
- Special contacts
- Approvals : UL - cUL