



83139 Flameproof 831391 Part number



IP 67 protection against hydrocarbons, detergents
 Double break switching
 Double insulated or ATEX flameproof casing
 Choice of actuators

Part numbers

	Type	Function	Connections
83139003	Standard 831390	I (changeover)	Standard lead output
MADE TO ORDER	Standard 831390	I (changeover)	Lead output on right/left
CONTACT US	Standard 831390	I (changeover)	Cable output
MADE TO ORDER	Low temperature 831395	I (changeover)	Standard lead output
MADE TO ORDER	Low temperature 831395	I (changeover)	Lead output on right/left
CONTACT US	Low temperature 831395	I (changeover)	Cable output
CONTACT US	Double insulated 831392	I (changeover)	Standard lead output
CONTACT US	Double insulated 831392	I (changeover)	Lead output on right/left
MADE TO ORDER	Double insulated 831392	I (changeover)	Cable output
MADE TO ORDER	Flameproof 831391	I (changeover)	Standard lead output
MADE TO ORDER	Flameproof 831391	I (changeover)	Lead output on right/left
CONTACT US	Flameproof 831391	I (changeover)	Cable output

Specifications

Electrical characteristics

Rating nominal / 250 V (A)	6
Rating thermal / 250 V (A)	11

Mechanical characteristics

Maximum operating force (N)	3
Min. Release force (N)	0,6
Maximum total travel force (N)	4
Max. permitted overtravel force (N)	10
Maximum rest position (mm)	B = 9,8
Operating position depending on position of fixing holes (mm)	B = 8.7 ±0.4
Maximum differential travel (mm)	0,35 ±0,1
Min. overtravel (mm)	0,25
Ambient operating temperature (°C)	-20 → +80
Mechanical life (operations)	5 x 10 ⁶
Contact gap (mm)	0,3 x 2
Weight (g)	37

Fixations

Fixings - 4 holes (standard)	-
Fixing - 2 holes	B

Connections

Connection	4 flexible leads 0.75 mm ² length 0.50 mm Ø ext. 2.3 mm
Standard wire output	S
Wire output on right	D
Wire output on left	G

Comments

Characteristics specific to 831391

- Conform to standards EN 50014 and 50018
- Conform to the European directive 94/9/EC concerning potentially explosive atmospheres
- Group II classified for potentially explosive atmospheres other than mines subject to firedamp
- Temperature class T6, max. surface temperature 80 °C
- CE Test Certificate type n° LCIE 02 ATEX 0034 U
- Notification number : LCIE 03 ATEXQ8002

Additional specifications

Components

Material

- Case : polyester UL94V0

- Contacts : silver

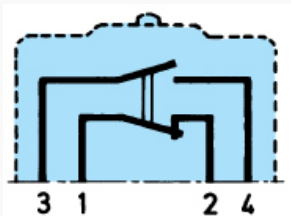
- Membrane : nitrile for 83 139 0 silicon for 83 139 1/2/5

Lever

- stainless steel

- Roller : polyamide

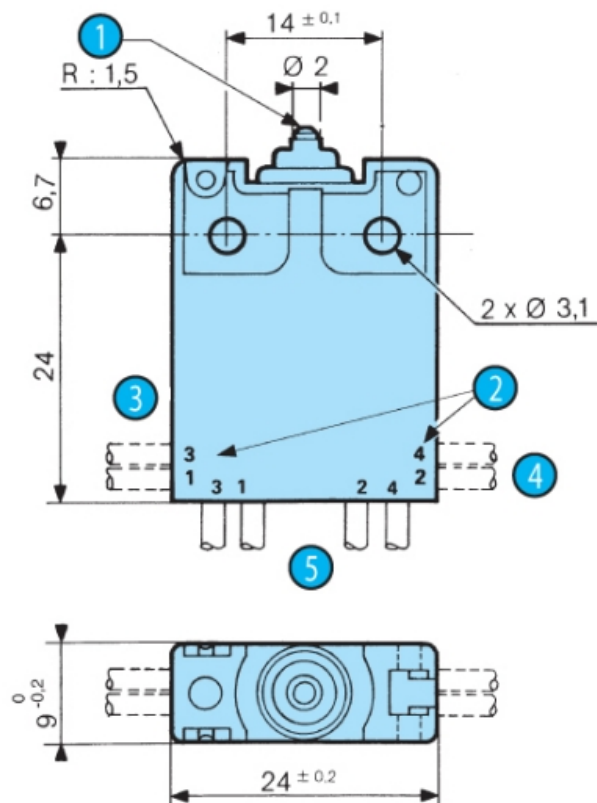
Principles



Dimensions (mm)

Product

83 139 0 - 1 - 5 - B fixing = 2 holes



N°

Legend

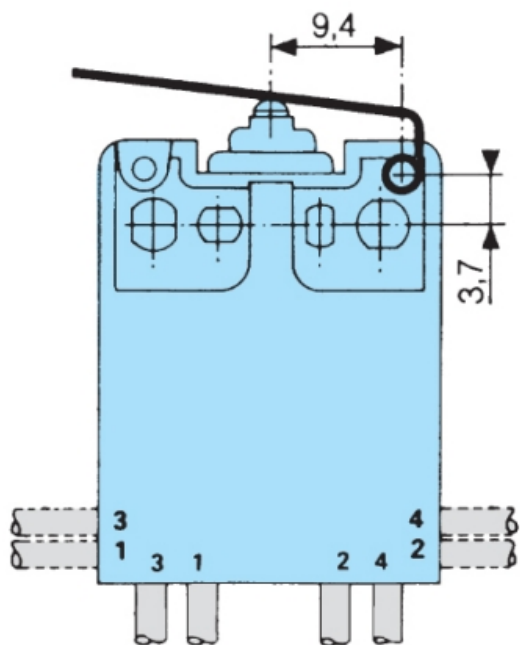
①	R : 1.5 spherical
②	Lead reference on casing

Dimensions (mm)

Actuator mounting positions

Type 139

Fixing 4 holes

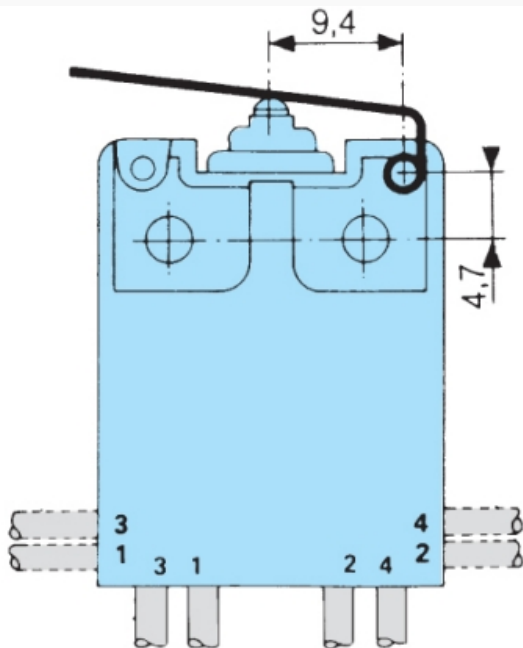


Dimensions (mm)

Actuator mounting positions

Type 139

Fixing 2 holes

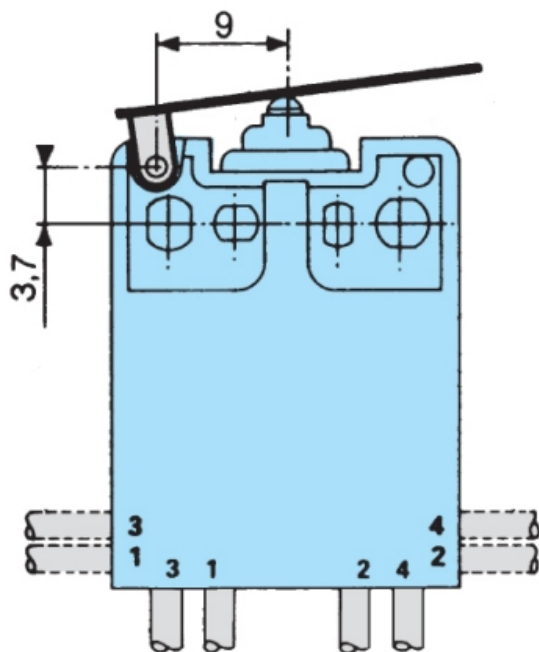


Dimensions (mm)

Actuator mounting positions

Type 161

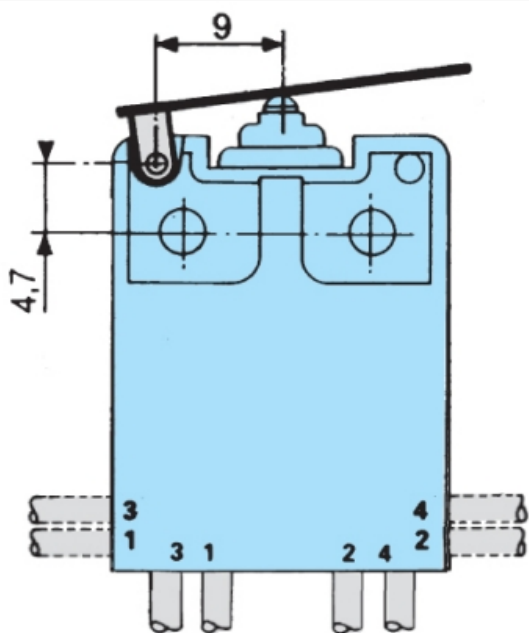
Fixing 4 holes



Dimensions (mm)

Actuator mounting positions

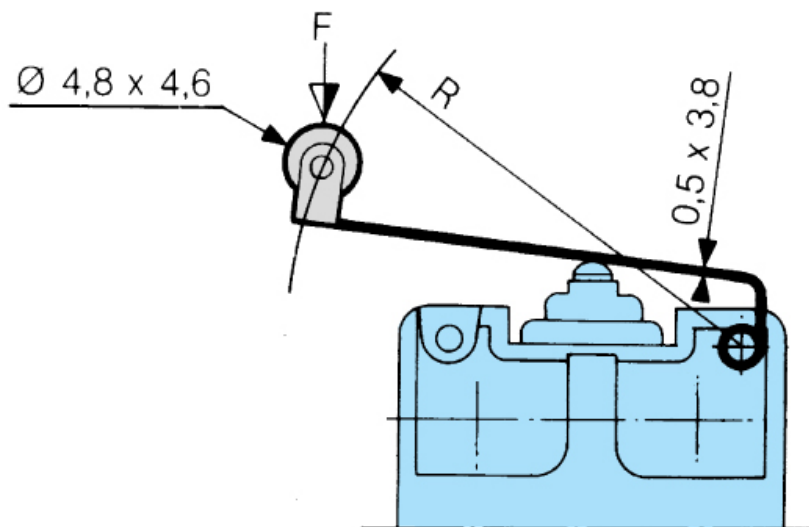
Type 161
Fixing 2 holes



Dimensions (mm)

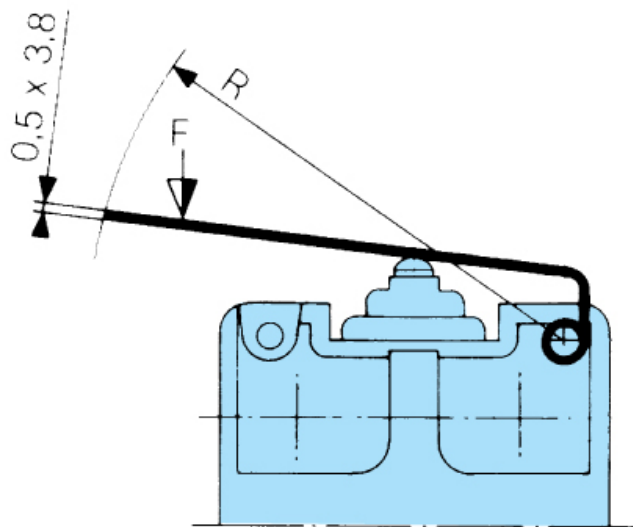
Actuators

139 EX

**Dimensions (mm)**

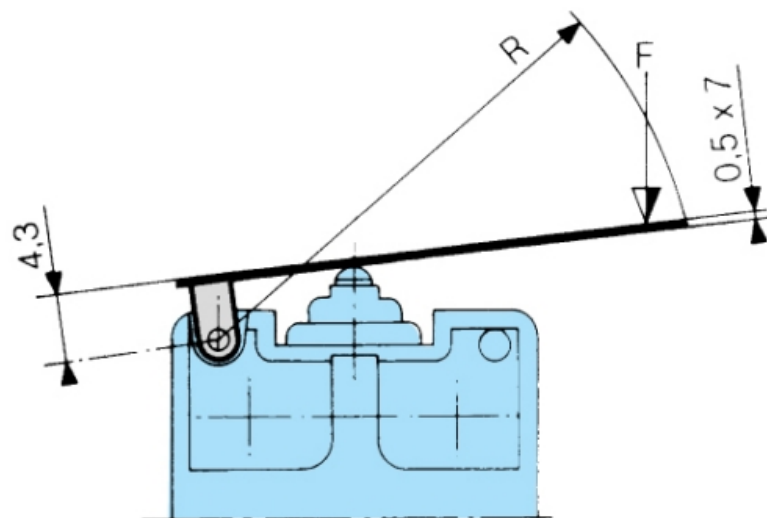
Actuators

139 AX

**Dimensions (mm)**

Actuators

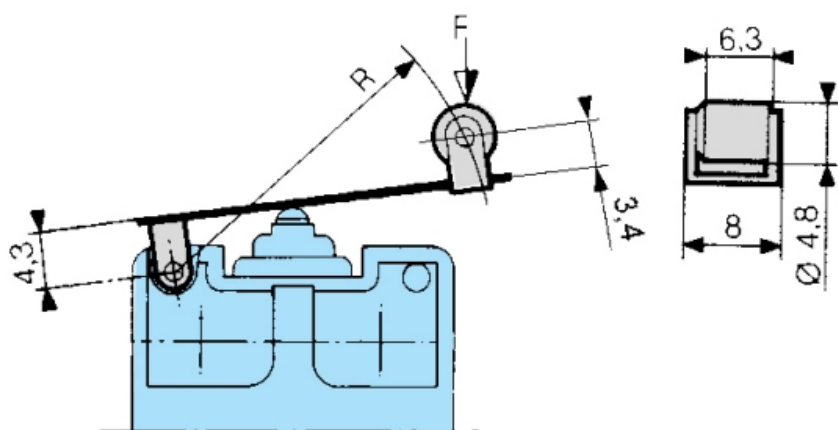
161 A



Dimensions (mm)

Actuators

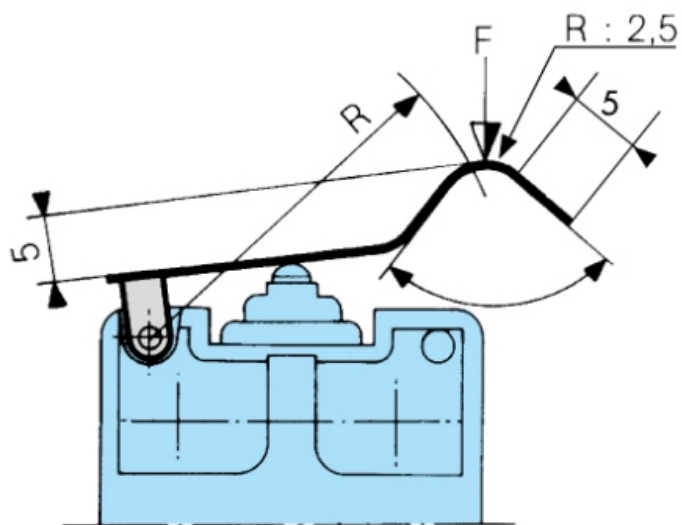
161 E



Dimensions (mm)

Actuators

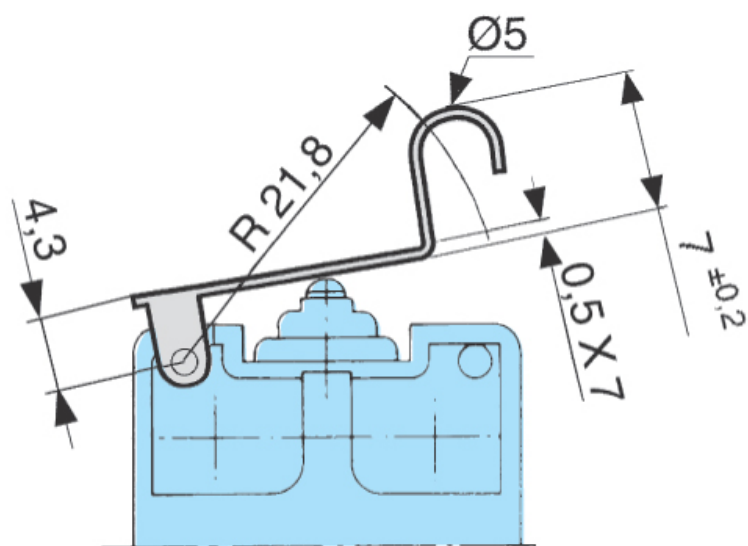
161 F



Dimensions (mm)

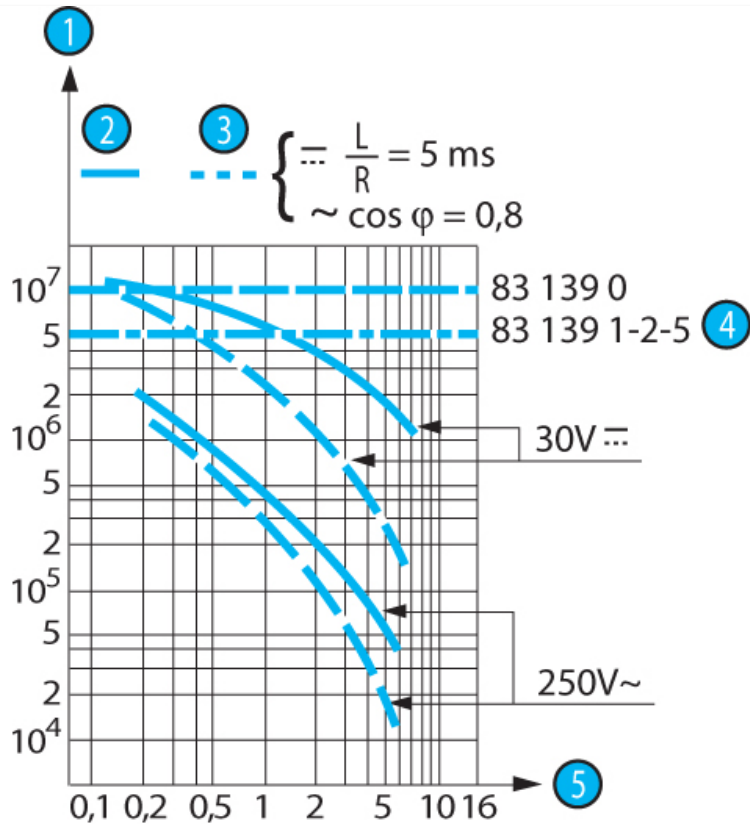
Actuators

161 G



Curves

Operating curve



N°	Legend
1	Number of cycles
2	Resistive circuit
3	Inductive circuit
4	Mechanical life limit
5	Current in Amps

Connections

Actuators and fixing positions

Part numbers for standard actuators		79 215 740	70 507 524	79 215 742	70 507 529
Actuators	Flat 139 AX R29.7 mm**	Roller 139 EX R28.7 mm**	Flat 161A R14.2 - R25.4 mm	Roller 161E R13.6 - R24.1 mm	
Operating force - max.	N	1.5	1.5	2.6	1.7
Release force - min.	N	0.2	0.35	0.2	0.35
Differential travel	mm	1.5	0.7	1.25	0.7
Part numbers for standard actuators		70 507 528	79 218 651		
Actuators	Flat 161F R22.3 mm	Dummy roller 161 G R21.8			
Operating force - max.	N	2	2		
Release force - min.	N	0.2	0.2		
Differential travel	mm	1.1	1.1		

Unless indicated, flat actuators and roller actuators are delivered unmounted.
 ** Factory fitted
 Note : We recommend greasing the switch pushbutton lightly when fitting actuators.

Other information

Product marking (83 139 1)
 II 2 G
 EEx d IIC T6

Key to these symbols :

- Equipment used in potentially explosive atmospheres
- II - Equipment group for surface use
- 2 - Equipment category for zone 1
- G - Gas

EEx - The equipment complies with the protection methods standardised by CENELEC (European standards)

d - Protection method used : "d" flameproof casing

II - Surface industry

C - Most severe gas subdivision including hydrogen, acetylene and carbon disulphide

T6 - Temperature class corresponding to +85 °C

At the time of ordering, the customer must specify :

- The operating zone (0, 1 or 2)
- The type of atmosphere (gas or dust)
- The type of gas
- The ambient operating temperature

Product adaptations



- Special levers
- Special leads, cables, cable harnesses
- Specific operating temperatures