

### 83160 Standard 831600 Part number made to order



- Nominal ratings up to 16 A / 250 VAC
- Self-cleaning contacts
- 3 mm contact gap for type 83 160 6
- High DC switch rating for type 83 160 6 SP 3697
- Choice of actuators
- Approvals NF - UL (except 83 160 6 SP 3697)

#### Part numbers

	Type	Function	Connections
<b>MADE TO ORDER</b>	Standard 831600	I (changeover)	W2 - W6 - X1 *

#### Specifications

##### Electrical characteristics

Rating nominal / 250 VAC (A)	16
Rating thermal / 250 VAC (A)	20
Rating nominal / 250 VDC (A)	-
Rating thermal / 250 VDC (A)	-

##### Mechanical characteristics

Maximum operating force (N)	4
Min. Release force (N)	1,5
Maximum total travel force (N)	6,5
Max. permitted overtravel force (N)	20
Maximum rest position (mm)	15,6
Operating position (mm)	14,8 ±0,3
Maximum differential travel (mm)	0,3
Min. overtravel CRA (mm)	1,3
Ambient operating temperature (°C)	-20 → +125
Mechanical life for 2/3 CRA (operations)	10 <sup>7</sup>
Contact gap (mm)	1,2
Weight (g)	6,7

#### Comments

\* X1 for 831606 and 831606 SP 3697 : please consult us

#### Additional specifications

##### Components

##### Material

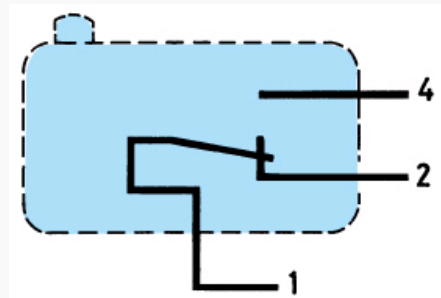
- Case : 83 160 0, 3, 4 and 6 polyamide UL94VO.
- Contacts : nickel silver

##### Lever

- stainless steel
- polyamide roller

Approvals : NF

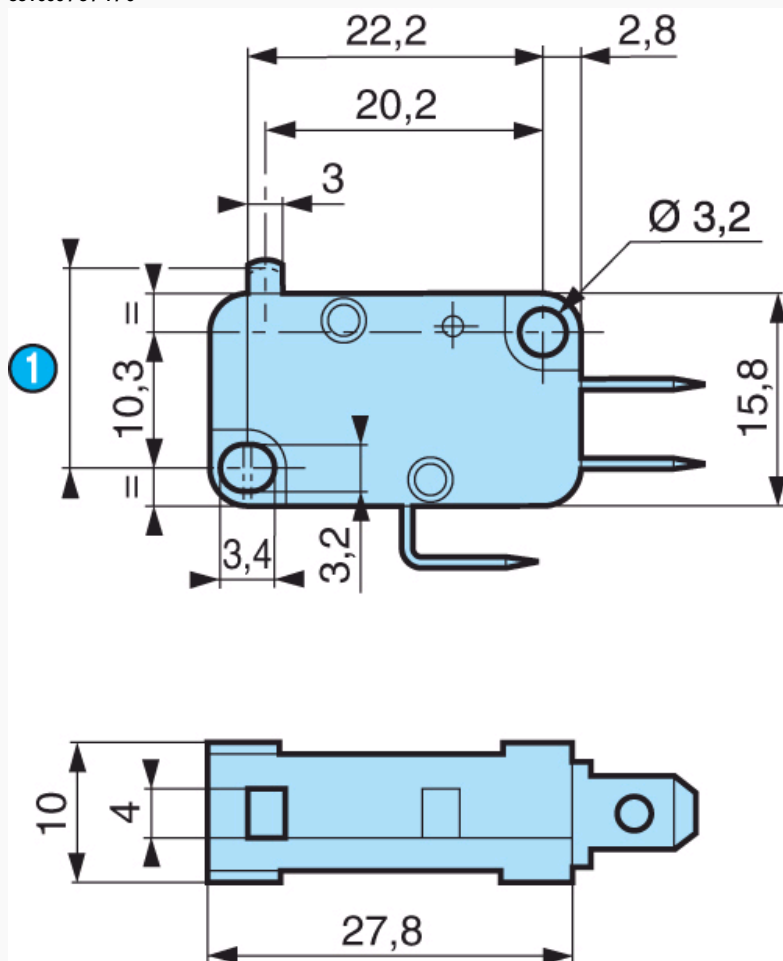
#### Principles



## Dimensions (mm)

## Product

831600 / 3 / 4 / 6

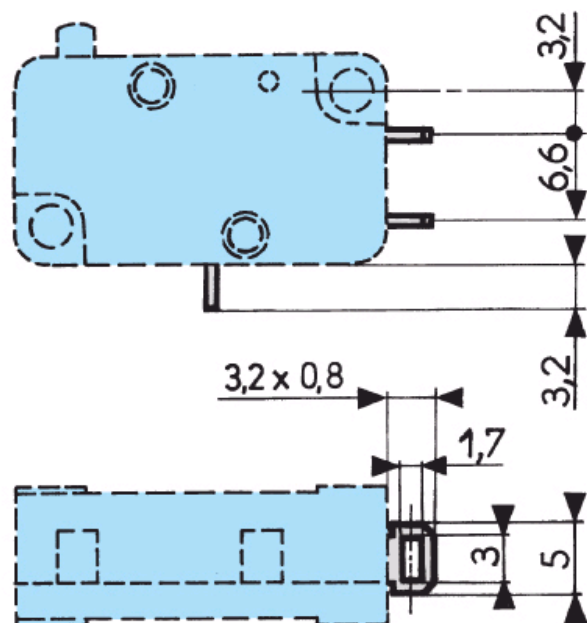


N°	Legend
①	OL = 13.2 max.

## Dimensions (mm)

## Connections

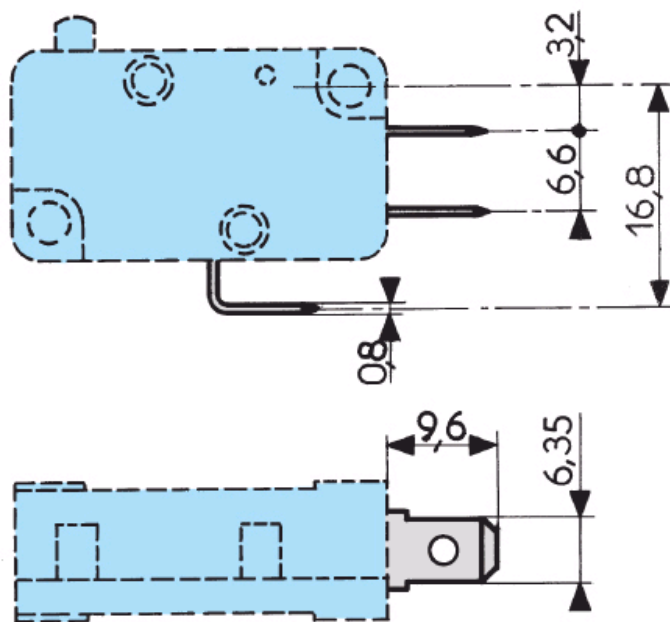
W2 solder



#### Dimensions (mm)

#### Connections

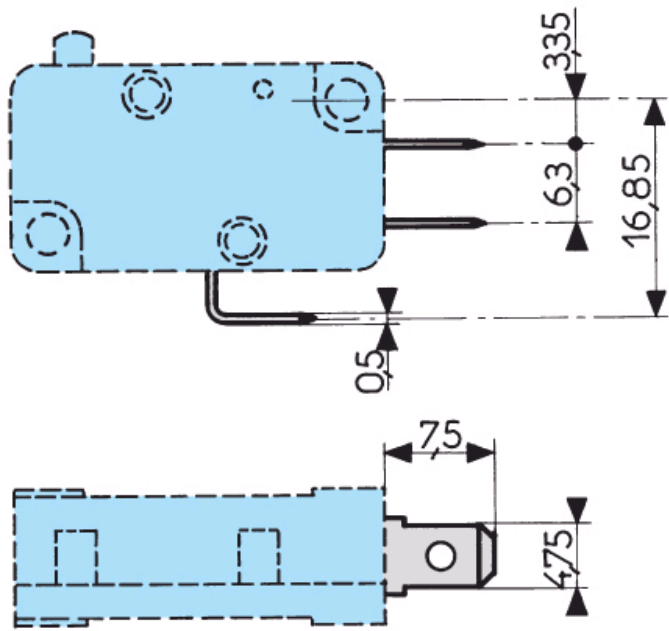
W3 for 6.35 mm clips



#### Dimensions (mm)

#### Connections

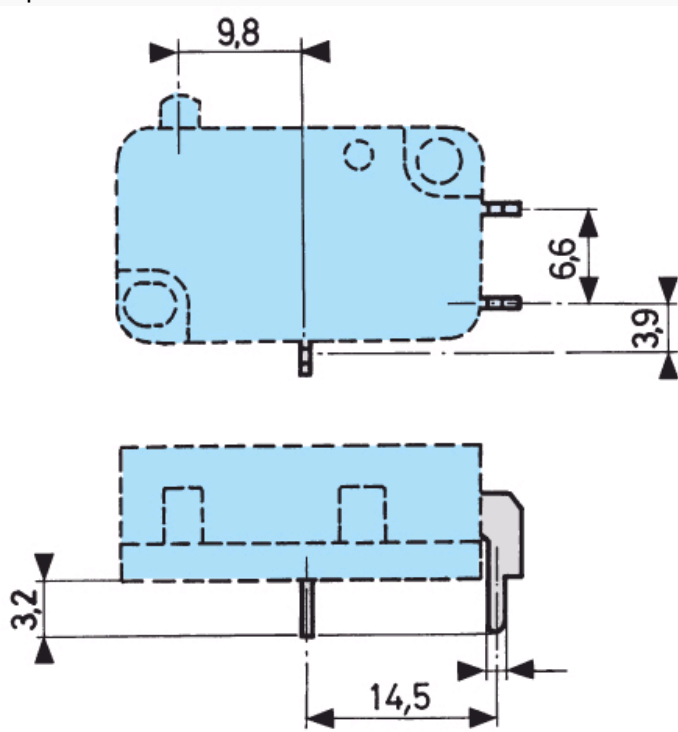
W6 for 4.75 mm clips



#### Dimensions (mm)

#### Connections

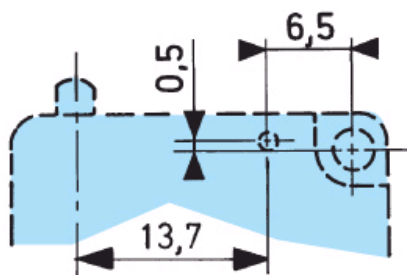
X1 printed circuit board



#### Dimensions (mm)

#### Actuator mounting positions

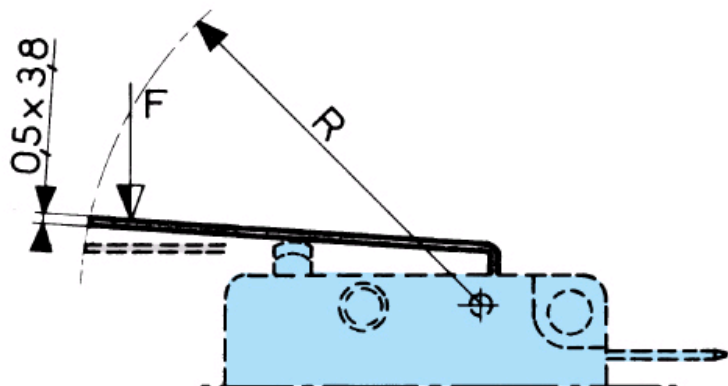
Fixing position



#### Dimensions (mm)

#### Actuators

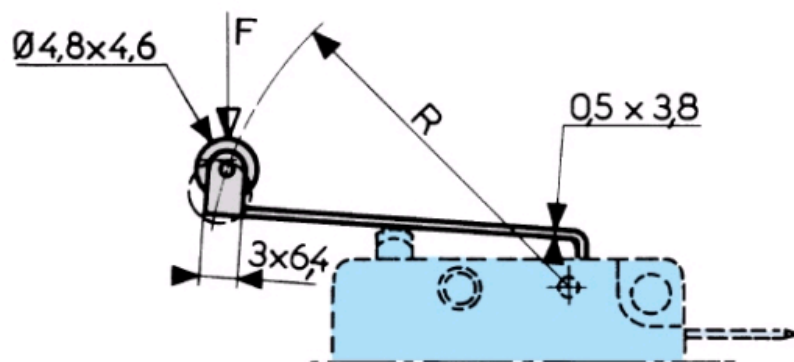
153 AX



#### Dimensions (mm)

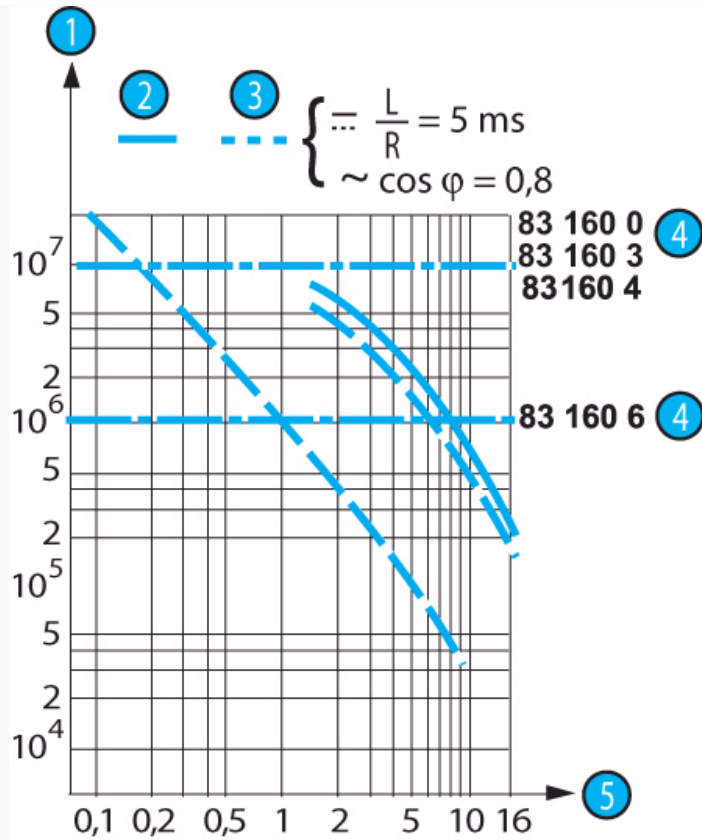
#### Actuators

153 EX



#### Curves

Operating curve for types 831600 / 3 / 4 / 6



N°	Legend
1	Number of cycles
2	Resistive circuit
3	Inductive circuit
4	Mechanical life limit
5	Current in Amps

**Connections**

**Actuators and fixing positions**

Part numbers for standard actuators					
	70 545 0 / 153 A R29.7	70 545 0 / 153 E R15.8	70 545 0 / 153 E R28.7		
Actuators	Flat 153 AX R29.7	Roller 153 EX R15.8	Roller 153 EX R28.7		
	83 1600 83 1603 83 1606	83 1600 83 1603 83 1606	83 1600 83 1603 83 1606		
Fixing positions	15,3 <sup>±0,5</sup> 15,3 <sup>±0,5</sup> 14,4 <sup>±0,4</sup>	20,5 <sup>±0,5</sup> 20,5 <sup>±0,5</sup> 20,3 <sup>±0,5</sup>	20,5 <sup>±0,5</sup> 20,5 <sup>±0,5</sup> 19,6 <sup>±0,5</sup>		
Operating force - max.	2 1 2,6	4 2 5	2 1 2,6		
Release force - min.	0,4 0,25 0,3	1 0,55 0,75	0,4 0,25 0,3		
Pre-travel - max.	2,5 2,5 3,1	1,2 1,2 1,4	2,5 2,5 3,1		
Differential travel max.	0,6 0,8 1,5	0,3 0,4 0,7	0,6 0,8 1,5		
Total travel max.	2,3 2,3 2,3	2,3 2,3 2,3	4,6 4,6 4,6		
	2-pole 153 A2** R15,9	Dummy roller F** R24,3	Telescopic plunger 153L** (operating temperature 125°C max.)	Flexible with roller 153 B**	153 V**

\*\* Please consult us

**Other information**

**Mounting - Operation**  
See basic technical concepts

Product adaptations



- Special levers
- Approvals : NF - UL for 83 160 6 SP 3697