

## V4 83170 Mushroom-head button Standard 831700 Part number made to order



- Nominal ratings 0.1 A to 10 A / 250 VAC
- Minimum rating 1 mA / 4 VDC
- Operating temperature up to +125 °C
- Operated via multidirectional action
- Conforming to standards EN 61058 and UL 1054
- Choice of actuators with 2 possible fixing positions

### Part numbers

Type	Function	Connections
MADE TO ORDER Standard 831700	I (changeover)	W2 - W7A5 - X1 - X1S - X2 - X2S - X3 - X3S

### Specifications

#### Electrical characteristics

Rating nominal / 250 VAC (A)	10
Rating thermal / 250 VAC (A)	12,5

#### Mechanical characteristics

Maximum operating force (N)	1,5
Min. Release force (N)	0,3
Maximum total travel force (N)	1,8
Max. permitted overtravel force (N)	10
Maximum rest position (mm)	10,8
Operating position (mm)	9,9 <sup>±0,3</sup>
Maximum differential travel (mm)	0,15
Min. overtravel (mm)	0,5
Ambient operating temperature (°C)	-20 → +125
Mechanical life (operations)	10 <sup>6**</sup>
Contact gap (mm)	0,4
Weight (g)	1,7

### Comments

\* see operating curves

\*\* for 2/3 of the overtravel

### Additional specifications

#### Components

##### Material

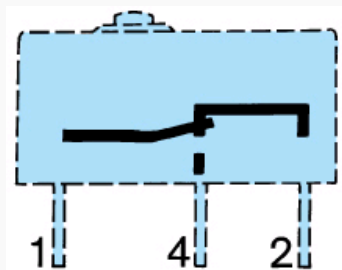
- Case : polyester UL 94 VO
- Button : glass-filled polyamide
- Contacts : nickel silver - gold alloy (dual-current)
- Terminals : cupro-nickel except W7A5 in brass

##### Levers

- Flat : stainless steel
- Roller : stainless steel, polyamide roller

**Approvals** : NF - UL - cUL

### Principles

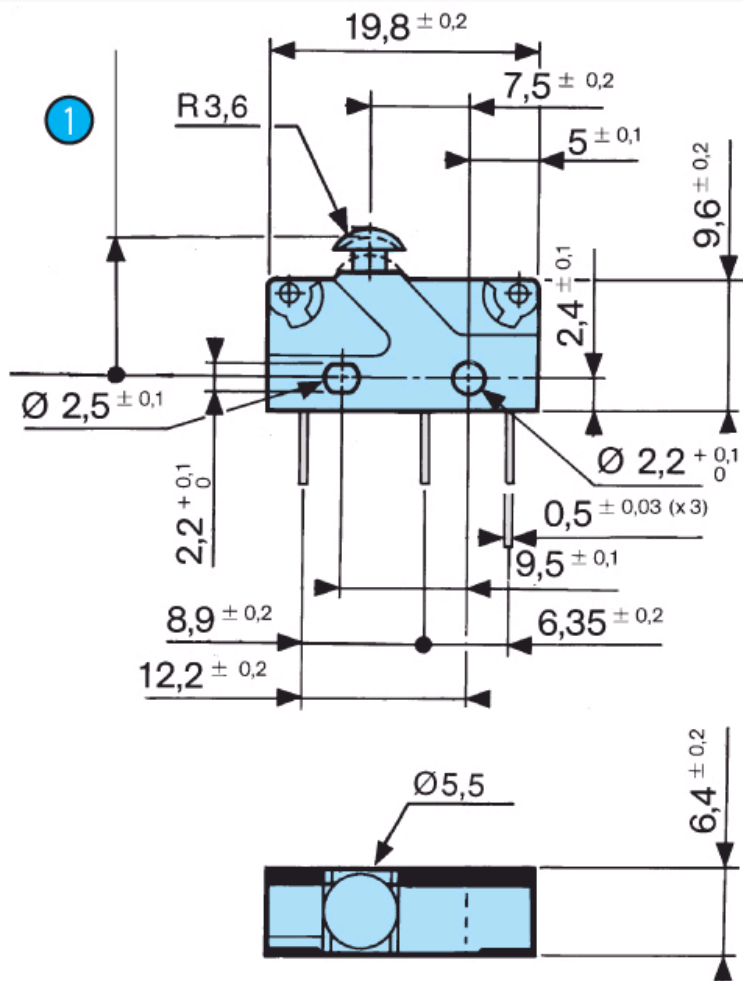


### Dimensions (mm)

## Product

83170

Asymmetrical version



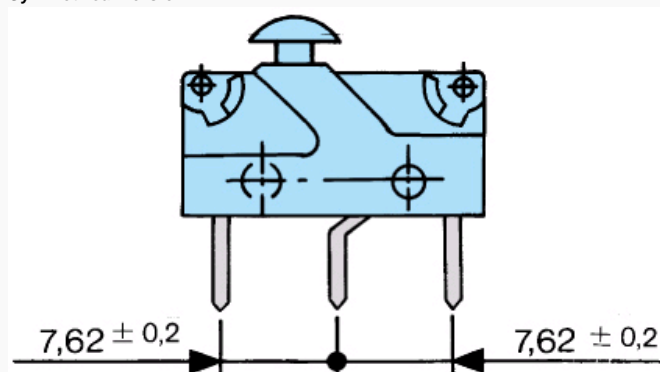
N°	Legend
①	OL : 9.1 max.

## Dimensions (mm)

## Product

83170

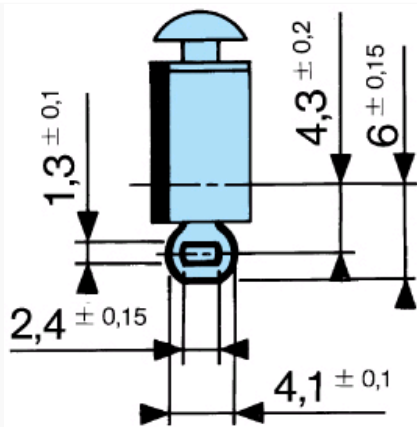
Symmetrical version



## Dimensions (mm)

## Connections

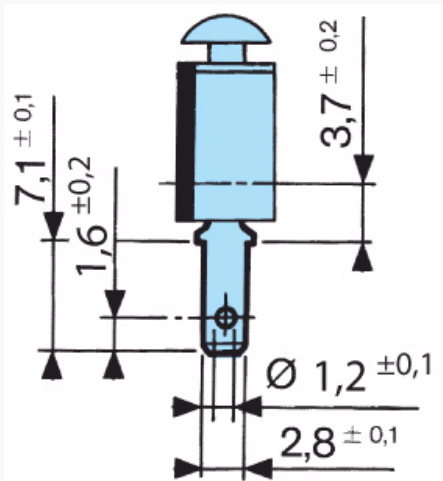
W2



#### Dimensions (mm)

#### Connections

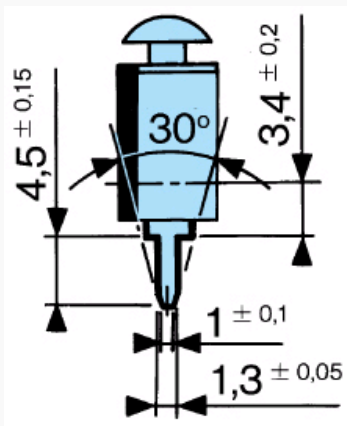
W7A5



#### Dimensions (mm)

#### Connections

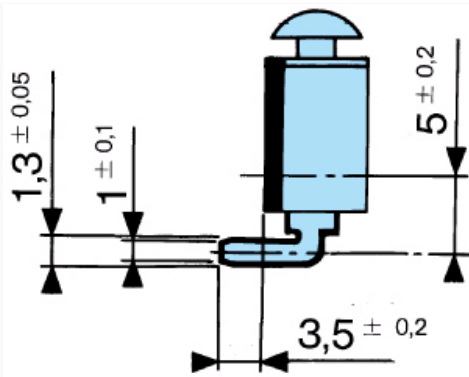
X1 - X1S



#### Dimensions (mm)

#### Connections

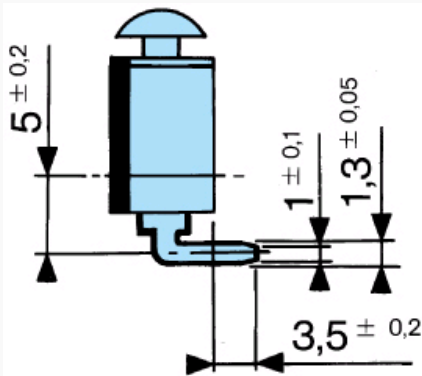
X2 - X2S



#### Dimensions (mm)

#### Connections

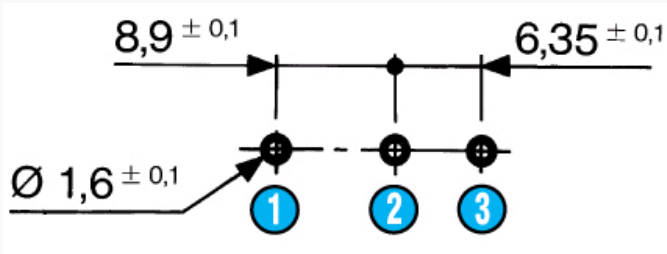
X3 - X3S



#### Dimensions (mm)

#### Drilling

Printed circuit board mounting  
Asymmetrical X1 - X2 - X3

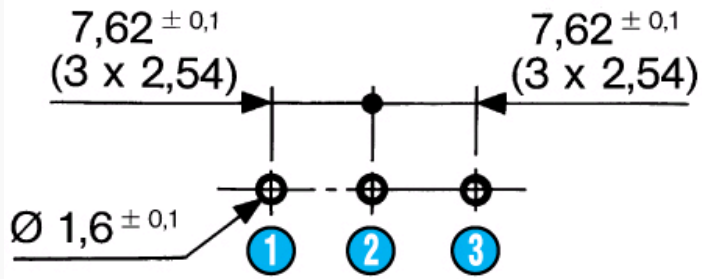


N°	Legend
1	1.C
2	4.NO
3	2.NC

#### Dimensions (mm)

#### Drilling

Printed circuit board mounting  
Symmetrical X1S - X2S - X3S

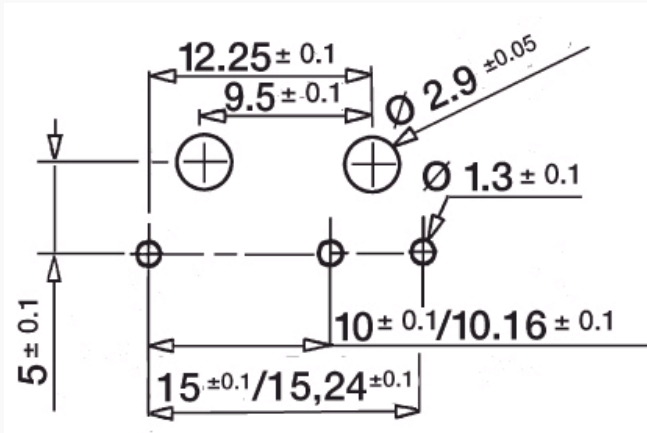


N°	Legend
1	1.C
2	4.NO
3	2.NC

Dimensions (mm)

Drilling

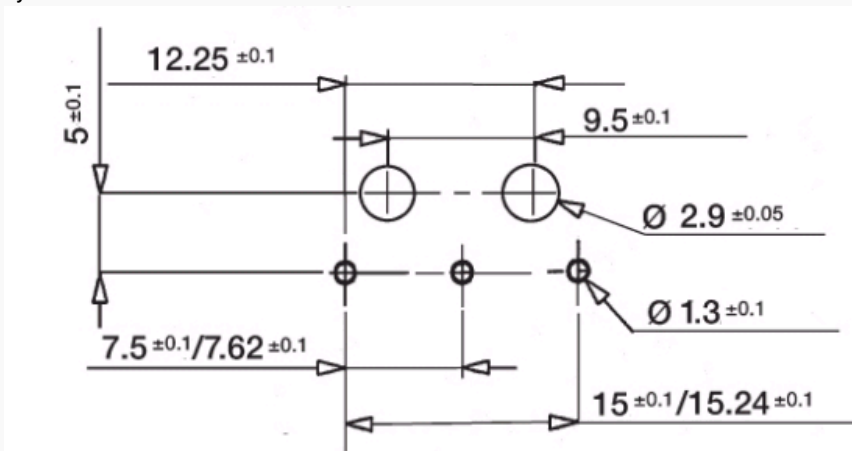
Mounting on a printed circuit board with fixing pins  
Asymmetrical



Dimensions (mm)

Drilling

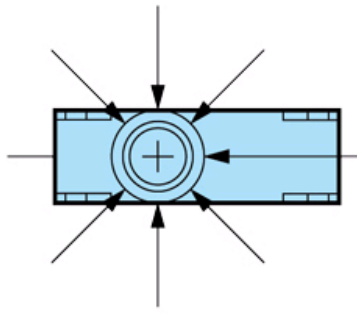
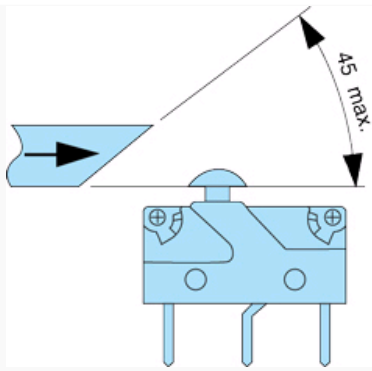
Mounting on a printed circuit board with fixing pins  
Symmetrical



Dimensions (mm)

Connections

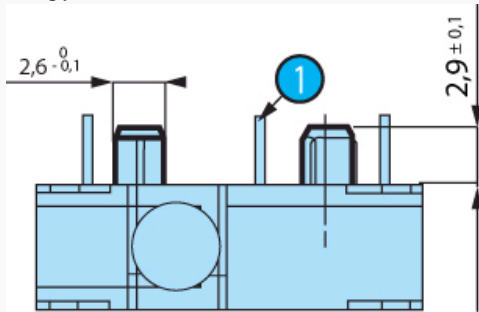
Recommendations for operation from the side



### Dimensions (mm)

#### Mounting accessories

#### Fixing pins

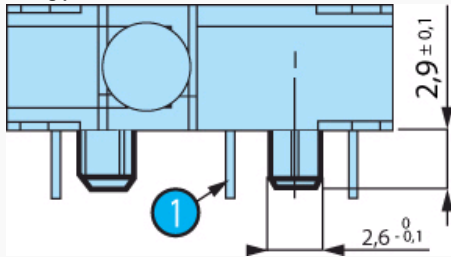


N°	Legend
①	Output on unit side : X2

### Dimensions (mm)

#### Mounting accessories

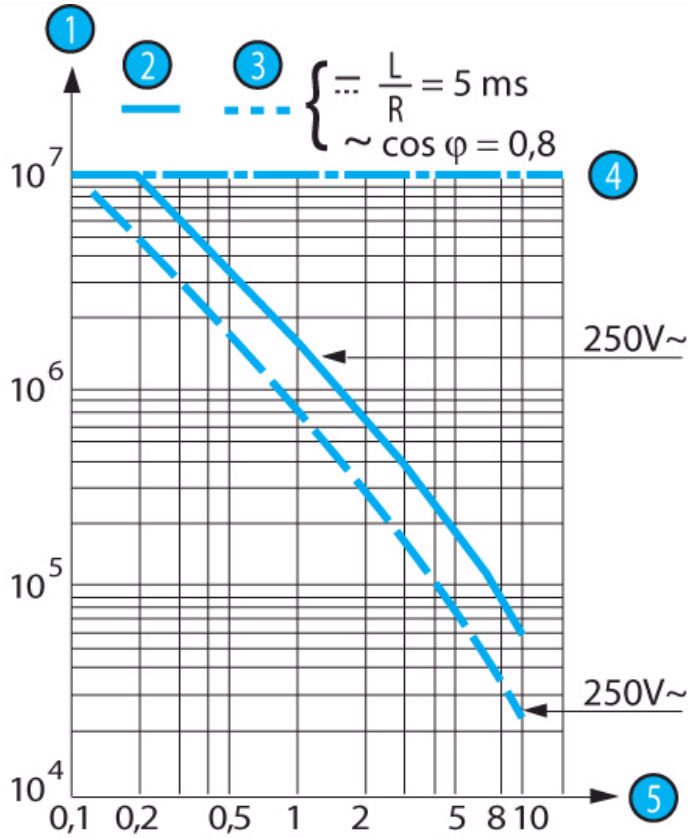
#### Fixing pins



N°	Legend
①	Output on cover side : X3

### Curves

Operating curve for type 83 170 0



N°	Legend
1	Number of cycles
2	Resistive circuit
3	Inductive circuit
4	Mechanical life limit
5	Current in Amps

**Other information**

**Mounting - Operation**

See basic technical concepts

**Product adaptations**



- Special connections