

6MHz Synchronous Rectification Buck-Boost DC/DC Converter IC Fact Sheet

MB39C326 was designed for the RF power amplifier of the mobile device that used 1-cell Li-ion battery. It is high-efficiency and low noise 6 MHz buck-boost DC/DC converter IC. The size of the inductor can be greatly reduced to 2-3MHz existing product by operating by the high frequency of 6MHz. Therefore, it becomes possible to reduce the substrate area of the power supply part by half. The range of the voltage that can be used can be expanded by automatic switching operation of the buck-boost circuit, and a steady power supply to the power amplifier can be supplied.

Features

- High efficiency: Up to 93%
- Input voltage range: 2.5 V to 5.5 V
- Adjustable output voltage range: 0.8 V to 5.0 V
- Over current limit value (Peak): 3.1A/1.3A/0.49A
- Output current:
 - 1200mA (Buck, output at 3.3V)
 - 800mA (Boost, output at 3.3V)
- 6MHz PWM operation allows 0.5 μ H small form inductor
- Less than 20 μ s step response for 3G
- Automatic Transition between buck mode and boost mode
- Selectable output voltage with external resistor
- Built-in Over temperature protection circuit
- Built-in Under voltage lockout protection circuit
- Package: 20-pin, WL-CSP(2.15mm x1.94 mmx 0.625 mm)

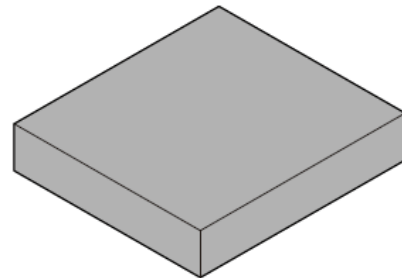
Applications

- Products that use 1-cell lithium batteries for the power supply
- RF power amplifier
- Cell-phone
- RF-PC card, PDA

Ordering Information

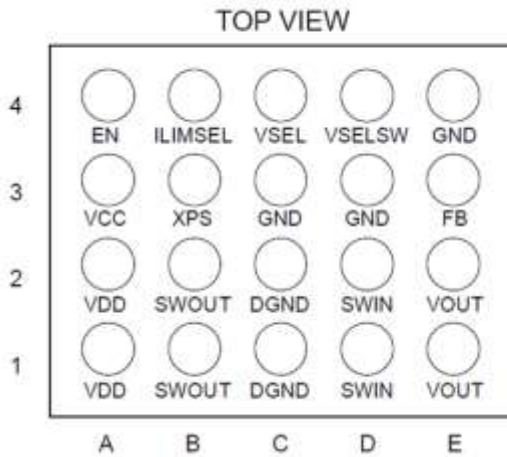
Part number	Package
MB39C326PW	20-pin plastic WL-CSP (WLP-20P-M01) 0.4 mm-ball-pitch 2.15 mm x1.94 mm

Package Example of Reference



20-pin plastic WL-CSP

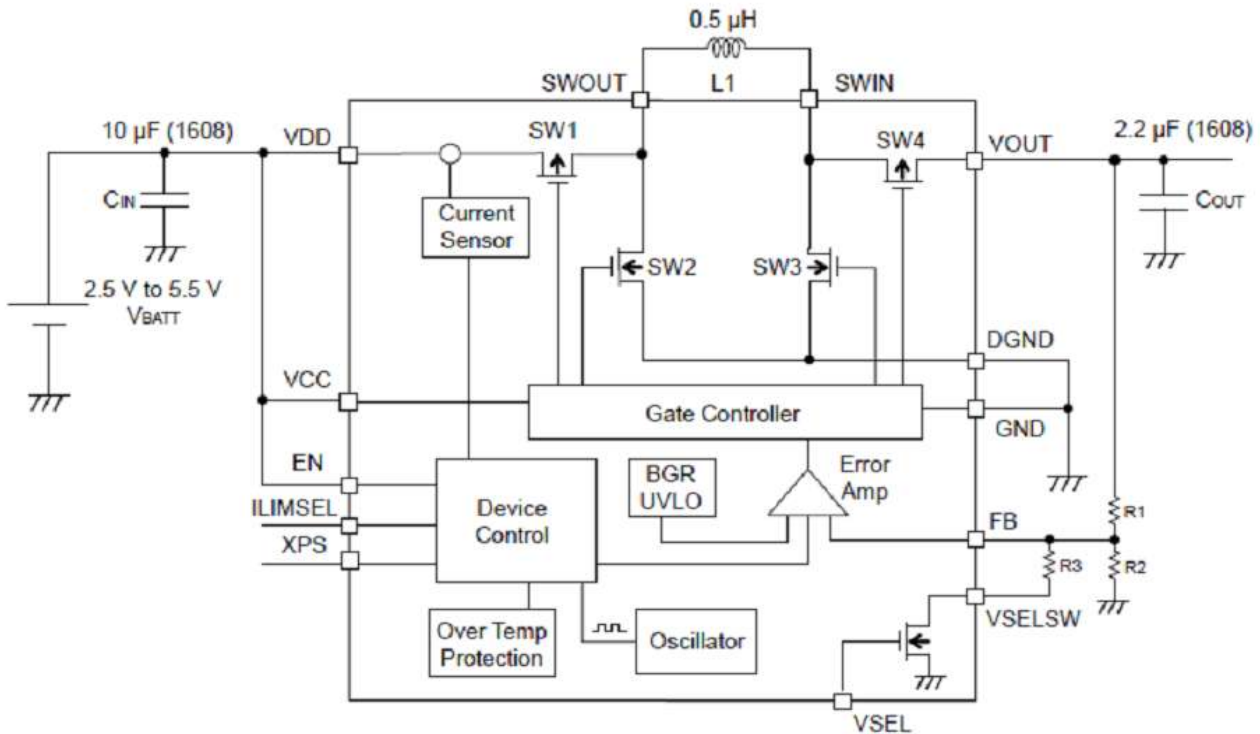
Pin Assignments



■ PIN DISCRIPTIONS

Pin No.	Pin Name	I/O	Description
A4	EN	I	IC Enable input pin (H: Enable, L: Shutdown)
E3	FB	I	Voltage feedback pin
C3,D3,E4	GND		Control / Logic ground pins
B4	ILMSEL	I	Current limit mode pin
B1,B2	SWOUT	I	Connection pins for Inductor
D1,D2	SWIN	I	Connection pins for Inductor
C1,C2	DGND		Power ground pins
C4	VSEL	I	Output voltage select pin (H:Using R3 L:No using R3)
D4	VSELSW		Connection pin for output voltage setting resistor R3
A1,A2	VDD	I	Electric power input pin for DCDC converter output voltage
A3	VCC	I	Electric power input pin for IC control block
B3	XPS	I	Power save mode pin (H: Normal mode, L: Power save mode)
E1,E2	VOUT	O	Buck-boost converter output pins

Block Diagram



Document History

Document Title: MB39C326, 6MHz Synchronous Rectification Buck-Boost DC/DC Converter IC Fact Sheet
Document Number: 002-08963

Revision	ECN	Orig. of Change	Submission Date	Description of Change
**	—	TAOA	04/17//2012	Migrated to Cypress and assigned document number 002-08963. No change to document contents or format.
*A	5158967	TAOA	03/04/2016	Updated to Cypress template

Sales, Solutions, and Legal Information

Worldwide Sales and Design Support

Cypress maintains a worldwide network of offices, solution centers, manufacturer's representatives, and distributors. To find the office closest to you, visit us at [Cypress Locations](#).

Products

ARM® Cortex® Microcontrollers	cypress.com/arm
Automotive	cypress.com/automotive
Clocks & Buffers	cypress.com/clocks
Interface	cypress.com/interface
Lighting & Power Control	cypress.com/powerpsoc
Memory	cypress.com/memory
PSoC	cypress.com/psoc
Touch Sensing	cypress.com/touch
USB Controllers	cypress.com/usb
Wireless/RF	cypress.com/wireless

PSoC® Solutions

cypress.com/psoc

[PSoC 1](#) | [PSoC 3](#) | [PSoC 4](#) | [PSoC 5LP](#)

Cypress Developer Community

[Community](#) | [Forums](#) | [Blogs](#) | [Video](#) | [Training](#)

Technical Support

cypress.com/support

© Cypress Semiconductor Corporation 2011-2016. This document is the property of Cypress Semiconductor Corporation and its subsidiaries, including Spansion LLC ("Cypress"). This document, including any software or firmware included or referenced in this document ("Software"), is owned by Cypress under the intellectual property laws and treaties of the United States and other countries worldwide. Cypress reserves all rights under such laws and treaties and does not, except as specifically stated in this paragraph, grant any license under its patents, copyrights, trademarks, or other intellectual property rights. If the Software is not accompanied by a license agreement and you do not otherwise have a written agreement with Cypress governing the use of the Software, then Cypress here by grants you under its copyright rights in the Software, a personal, non-exclusive, nontransferable license (without the right to sublicense) (a) for Software provided in source code form, to modify and reproduce the Software solely for use with Cypress hardware products, only internally within your organization, and (b) to distribute the Software in binary code form externally to end users (either directly or indirectly through resellers and distributors), solely for use on Cypress hardware product units. Cypress also grants you a personal, non-exclusive, nontransferable, license (without the right to sublicense) under those claims of Cypress's patents that are infringed by the Software (as provided by Cypress, unmodified) to make, use, distribute, and import the Software solely to the minimum extent that is necessary for you to exercise your rights under the copyright license granted in the previous sentence. Any other use, reproduction, modification, translation, or compilation of the Software is prohibited.

CYPRESS MAKES NO WARRANTY OF ANY KIND, EXPRESS OR IMPLIED, WITH REGARD TO THIS DOCUMENT OR ANY SOFTWARE, INCLUDING, BUT NOT LIMITED TO, THE IMPLIED WARRANTIES OF MERCHANTABILITY AND FITNESS FOR A PARTICULAR PURPOSE. Cypress reserves the right to make changes to this document without further notice. Cypress does not assume any liability arising out of the application or use of any product or circuit described in this document. Any information provided in this document, including any sample design information or programming code, is provided only for reference purposes. It is the responsibility of the user of this document to properly design, program, and test the functionality and safety of any application made of this information and any resulting product. Cypress products are not designed, intended, or authorized for use as critical components in systems designed or intended for the operation of weapons, weapons systems, nuclear installations, life-support devices or systems, other medical devices or systems (including resuscitation equipment and surgical implants), pollution control or hazardous substances management, or other uses where the failure of the device or system could cause personal injury, death, or property damage ("Unintended Uses"). A critical component is any component of a device or system whose failure to perform can be reasonably expected to cause the failure of the device or system, or to affect its safety or effectiveness. Cypress is not liable, in whole or in part, and Company shall and hereby does release Cypress from any claim, damage, or other liability arising from or related to all Unintended Uses of Cypress products. Company shall indemnify and hold Cypress harmless from and against all claims, costs, damages, and other liabilities, including claims for personal injury or death, arising from or related to any Unintended Uses of Cypress products.

Cypress, the Cypress logo, Spansion, the Spansion logo, and combinations thereof, PSoC, CapSense, EZ-USB, F-RAM, and Traveo are trademarks or registered trademarks of Cypress in the United States and other countries. For a more complete list of Cypress trademarks, visit cypress.com. Other names and brands may be claimed as property of their respective owners.