



"Spansion, Inc." and "Cypress Semiconductor Corp." have merged together to deliver high-performance, high-quality solutions at the heart of today's most advanced embedded systems, from automotive, industrial and networking platforms to highly interactive consumer and mobile devices. The new company "Cypress Semiconductor Corp." will continue to offer "Spansion, Inc." products to new and existing customers.

Continuity of Specifications

There is no change to this document as a result of offering the device as a Cypress product. Any changes that have been made are the result of normal document improvements and are noted in the document history page, where supported. Future revisions will occur when appropriate, and changes will be noted in a document history page.

Continuity of Ordering Part Numbers

Cypress continues to support existing part numbers. To order these products, please use only the Ordering Part Numbers listed in this document.

For More Information

Please contact your local sales office for additional information about Cypress products and solutions.



S34ML01G1, S34ML02G1, S34ML04G1

1 Gbit, 2 Gbit, 4 Gbit, 3 V SLC NAND Flash for Embedded

Distinctive Characteristics

- Density
 - 1 Gbit / 2 Gbit / 4 Gbit
- Architecture
 - Input / Output Bus Width: 8-bits / 16-bits
 - Page Size:
 - x8 = 2112 (2048 + 64) bytes; 64 bytes is spare area
 - x16 = 1056 (1024 + 32) words; 32 words is spare area
 - Block Size: 64 Pages
 - x8 = 128k + 4k bytes
 - x16 = 64k + 2k words
 - Plane Size:
 - 1 Gbit / 2 Gbit: 1024 Blocks per Plane
 - x8 = 128M + 4M bytes
 - x16 = 64M + 2M words
 - 4 Gbit: 2048 Blocks per Plane
 - x8 = 256M + 8M bytes
 - x16 = 128M + 4M words
 - Device Size:
 - 1 Gbit: 1 Plane per Device or 128 Mbyte
 - 2 Gbit: 2 Planes per Device or 256 Mbyte
 - 4 Gbit: 2 Planes per Device or 512 Mbyte
- NAND Flash Interface
 - Open NAND Flash Interface (ONFI) 1.0 compliant
 - Address, Data and Commands multiplexed
- Supply Voltage
 - 3.3V device: $V_{cc} = 2.7V \sim 3.6V$
- Security
 - One Time Programmable (OTP) area
 - Hardware program/erase disabled during power transition
- Additional Features
 - 2 Gb and 4 Gb parts support Multiplane Program and Erase commands
 - Supports Copy Back Program
 - 2 Gb and 4 Gb parts support Multiplane Copy Back Program
 - Supports Read Cache
- Electronic Signature
 - Manufacturer ID: 01h
- Operating Temperature
 - Industrial: $-40^{\circ}C$ to $85^{\circ}C$
 - Automotive: $-40^{\circ}C$ to $105^{\circ}C$

Performance

- Page Read / Program
 - Random access: 25 μs (Max)
 - Sequential access: 25 ns (Min)
 - Program time / Multiplane Program time: 200 μs (Typ)
- Block Erase (S34ML01G1)
 - Block Erase time: 2.0 ms (Typ)
- Block Erase / Multiplane Erase (S34ML02G1, S34ML04G1)
 - Block Erase time: 3.5 ms (Typ)
- Reliability
 - 100,000 Program / Erase cycles (Typ)
(with 1 bit ECC per 528 bytes (x8) or 264 words (x16))
 - 10 Year Data retention (Typ)
 - Blocks zero and one are valid and will be valid for at least 1000 program-erase cycles with ECC
- Package Options
 - Lead Free and Low Halogen
 - 48-Pin TSOP 12 x 20 x 1.2 mm
 - 63-Ball BGA 9 x 11 x 1 mm

Contents

Distinctive Characteristics	2	5.5 DC Characteristics	38
Performance	2	5.6 Pin Capacitance	38
1. General Description	5	5.7 Program / Erase Characteristics	39
1.1 Logic Diagram	6	6. Timing Diagrams	39
1.2 Connection Diagram	7	6.1 Command Latch Cycle	39
1.3 Pin Description	8	6.2 Address Latch Cycle	40
1.4 Block Diagram	9	6.3 Data Input Cycle Timing	40
1.5 Array Organization	10	6.4 Data Output Cycle Timing (CLE=L, WE#=H, ALE=L, WP#=H)	41
1.6 Addressing	11	6.5 Data Output Cycle Timing (EDO Type, CLE=L, WE#=H, ALE=L)	41
1.7 Mode Selection	14	6.6 Page Read Operation	42
2. Bus Operation	14	6.7 Page Read Operation (Interrupted by CE#)	43
2.1 Command Input	14	6.8 Page Read Operation Timing with CE# Don't Care	44
2.2 Address Input	14	6.9 Page Program Operation	44
2.3 Data Input	15	6.10 Page Program Operation Timing with CE# Don't Care	45
2.4 Data Output	15	6.11 Page Program Operation with Random Data Input	45
2.5 Write Protect	15	6.12 Random Data Output In a Page	46
2.6 Standby	15	6.13 Multiplane Page Program Operation — S34ML02G1 and S34ML04G1	46
3. Command Set	16	6.14 Block Erase Operation	47
3.1 Page Read	17	6.15 Multiplane Block Erase — S34ML02G1 and S34ML04G1	48
3.2 Page Program	17	6.16 Copy Back Read with Optional Data Readout	49
3.3 Multiplane Program — S34ML02G1 and S34ML04G1	18	6.17 Copy Back Program Operation With Random Data Input	49
3.4 Page Reprogram — S34ML02G1 and S34ML04G1	19	6.18 Multiplane Copy Back Program — S34ML02G1 and S34ML04G1	50
3.5 Block Erase	20	6.19 Read Status Register Timing	51
3.6 Multiplane Block Erase — S34ML02G1 and S34ML04G1	21	6.20 Read Status Enhanced Timing	52
3.7 Copy Back Program	21	6.21 Reset Operation Timing	52
3.8 EDC Operation — S34ML02G1 and S34ML04G1	22	6.22 Read Cache	53
3.9 Read Status Register	24	6.23 Cache Program	55
3.10 Read Status Enhanced — S34ML02G1 and S34ML04G1	24	6.24 Multiplane Cache Program — S34ML02G1 and S34ML04G1	56
3.11 Read Status Register Field Definition	25	6.25 Read ID Operation Timing	58
3.12 Reset	25	6.26 Read ID2 Operation Timing	58
3.13 Read Cache	25	6.27 Read ONFI Signature Timing	59
3.14 Cache Program	26	6.28 Read Parameter Page Timing	59
3.15 Multiplane Cache Program — S34ML02G1 and S34ML04G1	27	6.29 OTP Entry Timing	60
3.16 Read ID	28	6.30 Power On and Data Protection Timing	60
3.17 Read ID2	30	6.31 WP# Handling	61
3.18 Read ONFI Signature	30	7. Physical Interface	62
3.19 Read Parameter Page	31	7.1 Physical Diagram	62
3.20 One-Time Programmable (OTP) Entry	33	8. System Interface	64
4. Signal Descriptions	33	9. Error Management	66
4.1 Data Protection and Power On / Off Sequence	33	9.1 System Bad Block Replacement	66
4.2 Ready/Busy	34	9.2 Bad Block Management	67
4.3 Write Protect Operation	35	10. Ordering Information	68
5. Electrical Characteristics	36	11. Revision History	69
5.1 Valid Blocks	36		
5.2 Absolute Maximum Ratings	36		
5.3 AC Test Conditions	36		
5.4 AC Characteristics	37		

1. General Description

The Cypress S34ML01G1, S34ML02G1, and S34ML04G1 series is offered in 3.3 V_{CC} and V_{CCQ} power supply, and with x8 or x16 I/O interface. Its NAND cell provides the most cost-effective solution for the solid state mass storage market. The memory is divided into blocks that can be erased independently so it is possible to preserve valid data while old data is erased. The page size for x8 is (2048 + 64 spare) bytes; for x16 (1024 + 32) words.

Each block can be programmed and erased up to 100,000 cycles with ECC (error correction code) on. To extend the lifetime of NAND flash devices, the implementation of an ECC is mandatory.

The chip supports CE# don't care function. This function allows the direct download of the code from the NAND flash memory device by a microcontroller, since the CE# transitions do not stop the read operation.

The devices have a Read Cache feature that improves the read throughput for large files. During cache reading, the devices load the data in a cache register while the previous data is transferred to the I/O buffers to be read.

Like all other 2-kB page NAND flash devices, a program operation typically writes 2112 bytes (x8), or 1056 words (x16) in 200 μs and an erase operation can typically be performed in 2 ms (S34ML01G1) on a 128-kB block (x8) or 64-kword block (x16). In addition, thanks to multiplane architecture, it is possible to program two pages at a time (one per plane) or to erase two blocks at a time (again, one per plane). The multiplane architecture allows program time to be reduced by 40% and erase time to be reduced by 50%.

In multiplane operations, data in the page can be read out at 25 ns cycle time per byte. The I/O pins serve as the ports for command and address input as well as data input/output. This interface allows a reduced pin count and easy migration towards different densities, without any rearrangement of the footprint.

Commands, Data, and Addresses are asynchronously introduced using CE#, WE#, ALE, and CLE control pins.

The on-chip Program/Erase Controller automates all read, program, and erase functions including pulse repetition, where required, and internal verification and margining of data. A WP# pin is available to provide hardware protection against program and erase operations.

The output pin R/B# (open drain buffer) signals the status of the device during each operation. It identifies if the program/erase/read controller is currently active. The use of an open-drain output allows the Ready/Busy pins from several memories to connect to a single pull-up resistor. In a system with multiple memories the R/B# pins can be connected all together to provide a global status signal.

The Reprogram function allows the optimization of defective block management — when a Page Program operation fails the data can be directly programmed in another page inside the same array section without the time consuming serial data insertion phase. The Copy Back operation automatically executes embedded error detection operation: 1-bit error out of every 528 bytes (x8) or 256 words (x16) can be detected. With this feature it is no longer necessary to use an external mechanism to detect Copy Back operation errors.

Multiplane Copy Back is also supported. Data read out after Copy Back Read (both for single and multiplane cases) is allowed.

In addition, Cache Program and Multiplane Cache Program operations improve the programming throughput by programming data using the cache register.

The devices provide two innovative features: Page Reprogram and Multiplane Page Reprogram. The Page Reprogram re-programs one page. Normally, this operation is performed after a failed Page Program operation. Similarly, the Multiplane Page Reprogram re-programs two pages in parallel, one per plane. The first page must be in the first plane while the second page must be in the second plane. The Multiplane Page Reprogram operation is performed after a failed Multiplane Page Program operation. The Page Reprogram and Multiplane Page Reprogram guarantee improved performance, since data insertion can be omitted during re-program operations.

Note: The S34ML01G1 device does not support EDC.

The devices come with an OTP (one time programmable) area, which is a restricted access area where sensitive data/code can be stored permanently. This security feature is subject to an NDA (non-disclosure agreement) and is, therefore, not described in the data sheet. For more details, contact your nearest Cypress sales office.

Device	Density (bits)		Number of Planes	Number of Blocks per Plane	EDC Support
	Main	Spare			
S34ML01G1	128M x 8 64M x 16	4M x 8 2M x 16	1	1024	No
S34ML02G1	256M x 8 128M x 16	8M x 8 4M x 16	2	1024	Yes
S34ML04G1	512M x 8 256M x 16	16M x 8 8M x 16	2	2048	Yes

1.1 Logic Diagram

Figure 1.1 Logic Diagram

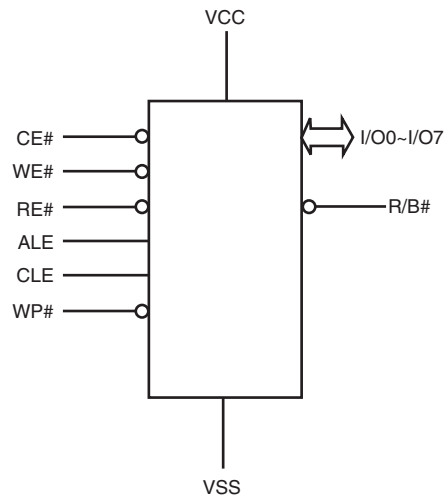
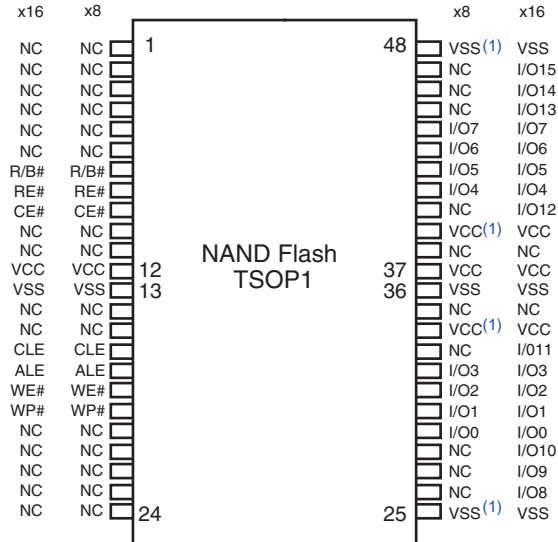


Table 1.1 Signal Names

I/O7 - I/O0 (x8)	Data Input / Outputs
I/O8 - I/O15 (x16)	
CLE	Command Latch Enable
ALE	Address Latch Enable
CE#	Chip Enable
RE#	Read Enable
WE#	Write Enable
WP#	Write Protect
R/B#	Read/Busy
VCC	Power Supply
VSS	Ground
NC	Not Connected

1.2 Connection Diagram

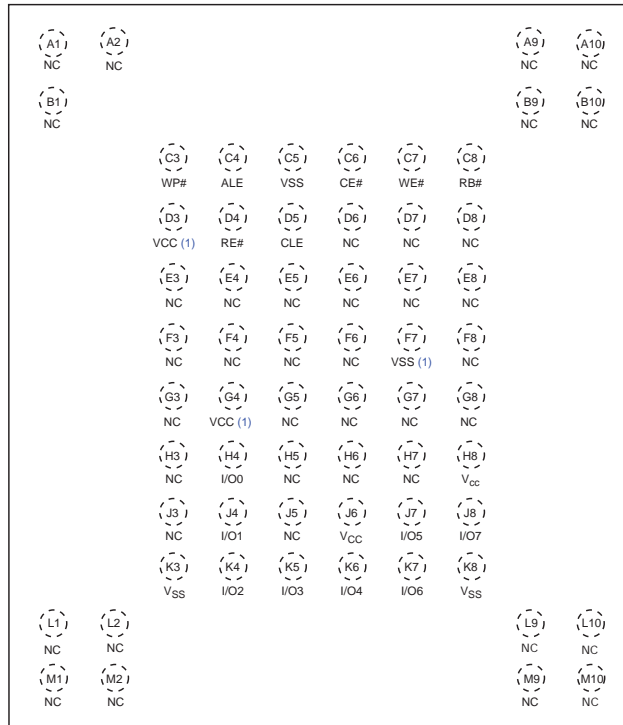
Figure 1.2 48-Pin TSOP1 Contact x8, x16 Devices



Note:

1. These pins should be connected to power supply or ground (as designated) following the ONFI specification, however they might not be bonded internally.

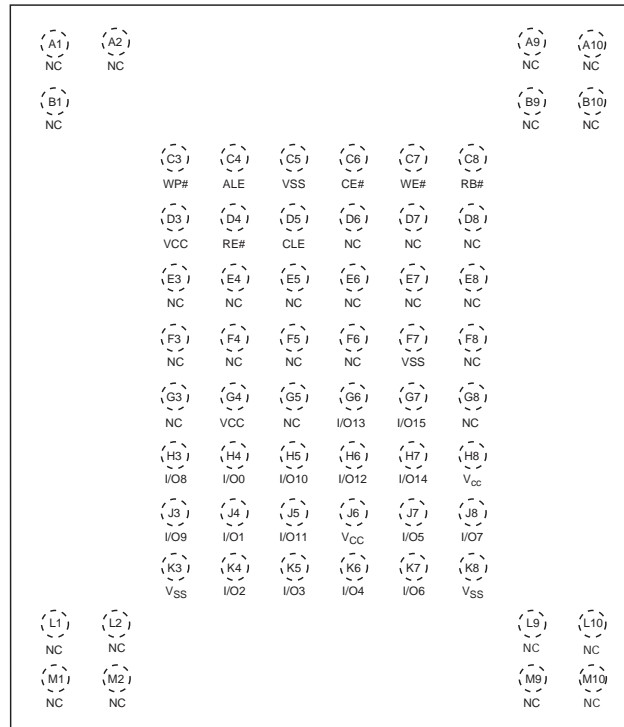
Figure 1.3 63-BGA Contact, x8 Device (Balls Down, Top View)



Note:

1. These pins should be connected to power supply or ground (as designated) following the ONFI specification, however they might not be bonded internally.

Figure 1.4 63-BGA Contact, x16 Device (Balls Down, Top View)



1.3 Pin Description

Table 1.2 Pin Description

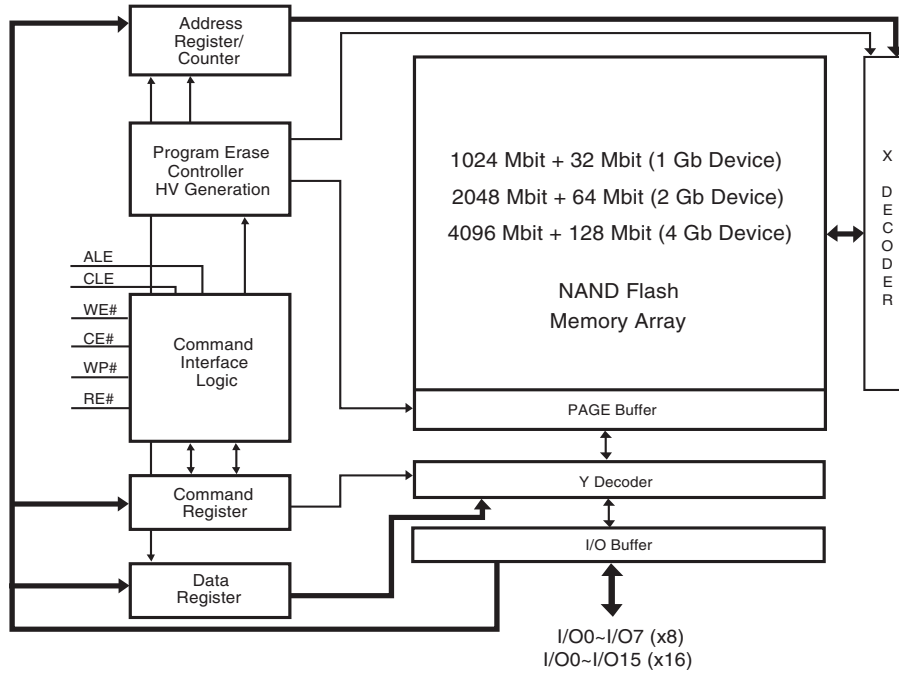
Pin Name	Description
I/O0 - I/O7 (x8)	Inputs/Outputs. The I/O pins are used for command input, address input, data input, and data output. The I/O pins float to High-Z when the device is deselected or the outputs are disabled.
I/O8 - I/O15 (x8)	Inputs/Outputs. The I/O pins are used for command input, address input, data input, and data output. The I/O pins float to High-Z when the device is deselected or the outputs are disabled.
CLE	Command Latch Enable. This input activates the latching of the I/O inputs inside the Command Register on the rising edge of Write Enable (WE#).
ALE	Address Latch Enable. This input activates the latching of the I/O inputs inside the Address Register on the rising edge of Write Enable (WE#).
CE#	Chip Enable. This input controls the selection of the device. When the device is not busy CE# low selects the memory.
WE#	Write Enable. This input latches Command, Address and Data. The I/O inputs are latched on the rising edge of WE#.
RE#	Read Enable. The RE# input is the serial data-out control, and when active drives the data onto the I/O bus. Data is valid t_{REA} after the falling edge of RE# which also increments the internal column address counter by one.
WP#	Write Protect. The WP# pin, when low, provides hardware protection against undesired data modification (program / erase).
R/B#	Ready Busy. The Ready/Busy output is an Open Drain pin that signals the state of the memory.
VCC	Supply Voltage. The V_{CC} supplies the power for all the operations (Read, Program, Erase). An internal lock circuit prevents the insertion of Commands when V_{CC} is less than V_{LKO} .
VSS	Ground.
NC	Not Connected.

Notes:

1. A 0.1 μF capacitor should be connected between the V_{CC} Supply Voltage pin and the V_{SS} Ground pin to decouple the current surges from the power supply. The PCB track widths must be sufficient to carry the currents required during program and erase operations.
2. An internal voltage detector disables all functions whenever V_{CC} is below 1.8V to protect the device from any involuntary program/erase during power transitions.

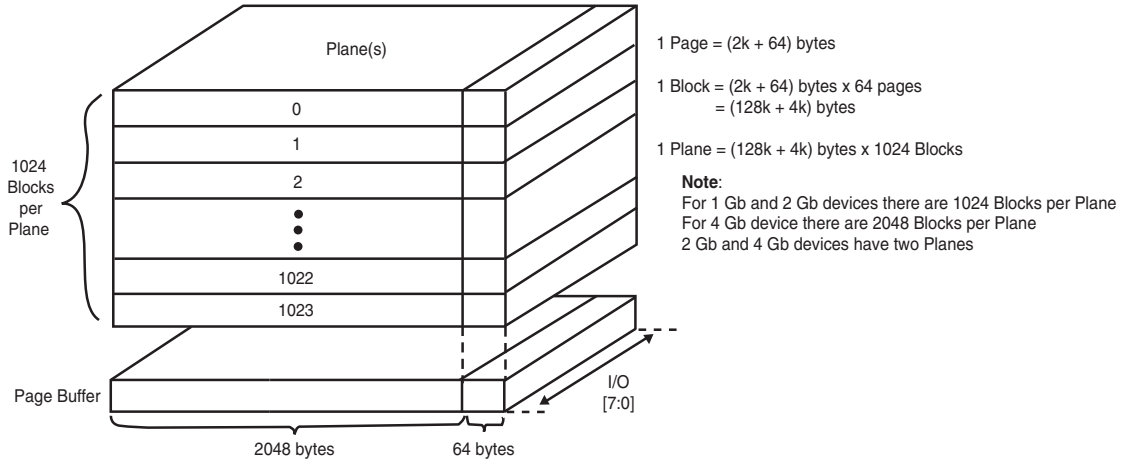
1.4 Block Diagram

Figure 1.5 Functional Block Diagram



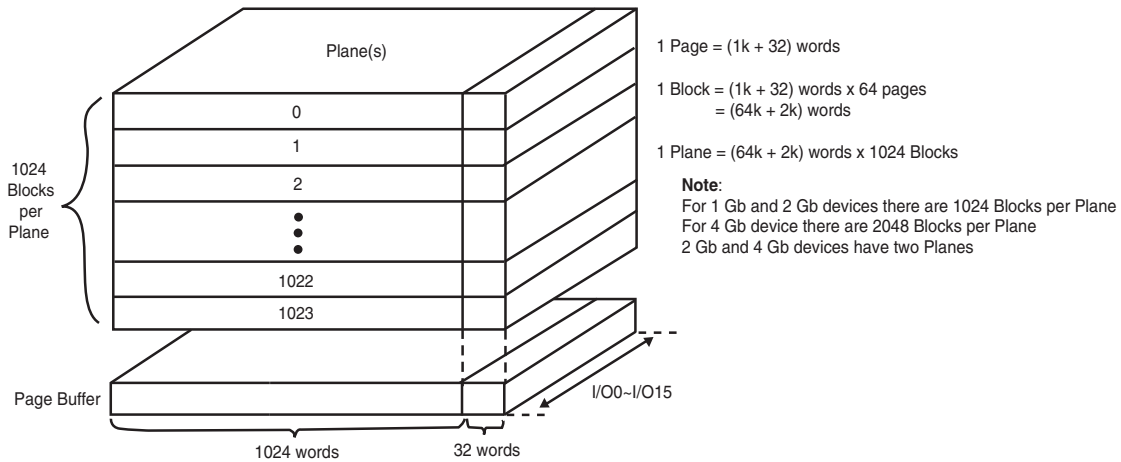
1.5 Array Organization

Figure 1.6 Array Organization — x8



Array Organization (x8)

Figure 1.7 Array Organization — x16



Array Organization (x16)

1.6 Addressing

1.6.1 S34ML01G1

Table 1.3 Address Cycle Map — 1 Gb Device

Bus Cycle	I/O [15:8] (5)	I/O0	I/O1	I/O2	I/O3	I/O4	I/O5	I/O6	I/O7
x8									
1st / Col. Add. 1	—	A0 (CA0)	A1 (CA1)	A2 (CA2)	A3 (CA3)	A4 (CA4)	A5 (CA5)	A6 (CA6)	A7 (CA7)
2nd / Col. Add. 2	—	A8 (CA8)	A9 (CA9)	A10 (CA10)	A11 (CA11)	Low	Low	Low	Low
3rd / Row Add. 1	—	A12 (PA0)	A13 (PA1)	A14 (PA2)	A15 (PA3)	A16 (PA4)	A17 (PA5)	A18 (BA0)	A19 (BA1)
4th / Row Add. 2	—	A20 (BA2)	A21 (BA3)	A22 (BA4)	A23 (BA5)	A24 (BA6)	A25 (BA7)	A26 (BA8)	A27 (BA9)
x16									
1st / Col. Add. 1	Low	A0 (CA0)	A1 (CA1)	A2 (CA2)	A3 (CA3)	A4 (CA4)	A5 (CA5)	A6 (CA6)	A7 (CA7)
2nd / Col. Add. 2	Low	A8 (CA8)	A9 (CA9)	A10 (CA10)	Low	Low	Low	Low	Low
3rd / Row Add. 1	Low	A11 (PA0)	A12 (PA1)	A13 (PA2)	A14 (PA3)	A15 (PA4)	A16 (PA5)	A17 (BA0)	A18 (BA1)
4th / Row Add. 2	Low	A19 (BA2)	A20 (BA3)	A21 (BA4)	A22 (BA5)	A23 (BA6)	A24 (BA7)	A25 (BA8)	A26 (BA9)

Notes:

1. CAx = Column Address bit.
2. PAx = Page Address bit.
3. BAx = Block Address bit.
4. Block address concatenated with page address = actual page address, also known as the row address.
5. I/O[15:8] are not used during the addressing sequence and should be driven Low.

For the x8 address bits, the following rules apply:

- A0 - A11: column address in the page
- A12 - A17: page address in the block
- A18 - A27: block address

For the x16 address bits, the following rules apply:

- A0 - A10: column address in the page
- A11 - A16: page address in the block
- A17 - A26: block address

1.6.2 S34ML02G1

Table 1.4 Address Cycle Map — 2 Gb Device

Bus Cycle	I/O [15:8] (6)	I/O0	I/O1	I/O2	I/O3	I/O4	I/O5	I/O6	I/O7
x8									
1st / Col. Add. 1	—	A0 (CA0)	A1 (CA1)	A2 (CA2)	A3 (CA3)	A4 (CA4)	A5 (CA5)	A6 (CA6)	A7 (CA7)
2nd / Col. Add. 2	—	A8 (CA8)	A9 (CA9)	A10 (CA10)	A11 (CA11)	Low	Low	Low	Low
3rd / Row Add. 1	—	A12 (PA0)	A13 (PA1)	A14 (PA2)	A15 (PA3)	A16 (PA4)	A17 (PA5)	A18 (PLA0)	A19 (BA0)
4th / Row Add. 2	—	A20 (BA1)	A21 (BA2)	A22 (BA3)	A23 (BA4)	A24 (BA5)	A25 (BA6)	A26 (BA7)	A27 (BA8)
5th / Row Add. 3	—	A28 (BA9)	Low	Low	Low	Low	Low	Low	Low
x16									
1st / Col. Add. 1	Low	A0 (CA0)	A1 (CA1)	A2 (CA2)	A3 (CA3)	A4 (CA4)	A5 (CA5)	A6 (CA6)	A7 (CA7)
2nd / Col. Add. 2	Low	A8 (CA8)	A9 (CA9)	A10 (CA10)	Low	Low	Low	Low	Low
3rd / Row Add. 1	Low	A11 (PA0)	A12 (PA1)	A13 (PA2)	A14 (PA3)	A15 (PA4)	A16 (PA5)	A17 (PLA0)	A18 (BA0)
4th / Row Add. 2	Low	A19 (BA1)	A20 (BA2)	A21 (BA3)	A22 (BA4)	A23 (BA5)	A24 (BA6)	A25 (BA7)	A26 (BA8)
5th / Row Add. 3	Low	A27 (BA9)	Low	Low	Low	Low	Low	Low	Low

Notes:

1. CAx = Column Address bit.
2. PAx = Page Address bit.
3. PLA0 = Plane Address bit zero.
4. BAx = Block Address bit.
5. Block address concatenated with page address and plane address = actual page address, also known as the row address.
6. I/O[15:8] are not used during the addressing sequence and should be driven Low.

For the x8 address bits, the following rules apply:

- A0 - A11: column address in the page
- A12 - A17: page address in the block
- A18: plane address (for multiplane operations) / block address (for normal operations)
- A19 - A28: block address

For the x16 address bits, the following rules apply:

- A0 - A10: column address in the page
- A11 - A16: page address in the block
- A17: plane address (for multiplane operations) / block address (for normal operations)
- A18 - A27: block address

1.6.3 S34ML04G1

Table 1.5 Address Cycle Map — 4 Gb Device

Bus Cycle	I/O [15:8] (6)	I/O0	I/O1	I/O2	I/O3	I/O4	I/O5	I/O6	I/O7
x8									
1st / Col. Add. 1	—	A0 (CA0)	A1 (CA1)	A2 (CA2)	A3 (CA3)	A4 (CA4)	A5 (CA5)	A6 (CA6)	A7 (CA7)
2nd / Col. Add. 2	—	A8 (CA8)	A9 (CA9)	A10 (CA10)	A11 (CA11)	Low	Low	Low	Low
3rd / Row Add. 1	—	A12 (PA0)	A13 (PA1)	A14 (PA2)	A15 (PA3)	A16 (PA4)	A17 (PA5)	A18 (PLA0)	A19 (BA0)
4th / Row Add. 2	—	A20 (BA1)	A21 (BA2)	A22 (BA3)	A23 (BA4)	A24 (BA5)	A25 (BA6)	A26 (BA7)	A27 (BA8)
5th / Row Add. 3	—	A28 (BA9)	A29 (BA10)	Low	Low	Low	Low	Low	Low
x16									
1st / Col. Add. 1	Low	A0 (CA0)	A1 (CA1)	A2 (CA2)	A3 (CA3)	A4 (CA4)	A5 (CA5)	A6 (CA6)	A7 (CA7)
2nd / Col. Add. 2	Low	A8 (CA8)	A9 (CA9)	A10 (CA10)	Low	Low	Low	Low	Low
3rd / Row Add. 1	Low	A11 (PA0)	A12 (PA1)	A13 (PA2)	A14 (PA3)	A15 (PA4)	A16 (PA5)	A17 (PLA0)	A18 (BA0)
4th / Row Add. 2	Low	A19 (BA1)	A20 (BA2)	A21 (BA3)	A22 (BA4)	A23 (BA5)	A24 (BA6)	A25 (BA7)	A26 (BA8)
5th / Row Add. 3	Low	A27 (BA9)	A28 (BA10)	Low	Low	Low	Low	Low	Low

Notes:

1. CAx = Column Address bit.
2. PAx = Page Address bit.
3. PLA0 = Plane Address bit zero.
4. BAx = Block Address bit.
5. Block address concatenated with page address and plane address = actual page address, also known as the row address.
6. I/O[15:8] are not used during the addressing sequence and should be driven Low.

For the x8 address bits, the following rules apply:

- A0 - A11: column address in the page
- A12 - A17: page address in the block
- A18: plane address (for multiplane operations) / block address (for normal operations)
- A19 - A29: block address

For the x16 address bits, the following rules apply:

- A0 - A10: column address in the page
- A11 - A16: page address in the block
- A17: plane address (for multiplane operations) / block address (for normal operations)
- A18 - A28: block address

1.7 Mode Selection

Table 1.6 Mode Selection

Mode		CLE	ALE	CE#	WE#	RE#	WP#
Read Mode	Command Input	High	Low	Low	Rising	High	X
	Address Input	Low	High	Low	Rising	High	X
Program or Erase Mode	Command Input	High	Low	Low	Rising	High	High
	Address Input	Low	High	Low	Rising	High	High
Data Input		Low	Low	Low	Rising	High	High
Data Output (on going)		Low	Low	Low	High	Falling	X
Data Output (suspended)		X	X	X	High	High	X
Busy Time in Read		X	X	X	High	High (3)	X
Busy Time in Program		X	X	X	X	X	High
Busy Time in Erase		X	X	X	X	X	High
Write Protect		X	X	X	X	X	Low
Stand By		X	X	High	X	X	0V / V _{CC} (2)

Notes:

1. X can be V_{IL} or V_{IH}. High= Logic level high. Low = Logic level low.
2. WP# should be biased to CMOS high or CMOS low for stand-by mode.
3. During Busy Time in Read, RE# must be held high to prevent unintended data out.

2. Bus Operation

There are six standard bus operations that control the device: Command Input, Address Input, Data Input, Data Output, Write Protect, and Standby. (See Table 1.6.)

Typically glitches less than 5 ns on Chip Enable, Write Enable, and Read Enable are ignored by the memory and do not affect bus operations.

2.1 Command Input

The Command Input bus operation is used to give a command to the memory device. Commands are accepted with Chip Enable low, Command Latch Enable high, Address Latch Enable low, and Read Enable high and latched on the rising edge of Write Enable. Moreover, for commands that start a modify operation (program/erase) the Write Protect pin must be high. See Figure 6.1 on page 39 and Table 5.4 on page 37 for details of the timing requirements. Command codes are always applied on I/O7:0 regardless of the bus configuration (x8 or x16).

2.2 Address Input

The Address Input bus operation allows the insertion of the memory address. For the S34ML02G1 and S34ML04G1 devices, five write cycles are needed to input the addresses. For the S34ML01G1, four write cycles are needed to input the addresses. If necessary, a 5th dummy address cycle can be issued to S34ML01G1, which will be ignored by the NAND device without causing problems. Addresses are accepted with Chip Enable low, Address Latch Enable high, Command Latch Enable low, and Read Enable high and latched on the rising edge of Write Enable. Moreover, for commands that start a modify operation (program/erase) the Write Protect pin must be high. See Figure 6.2 on page 40 and Table 5.4 on page 37 for details of the timing requirements. Addresses are always applied on I/O7:0 regardless of the bus configuration (x8 or x16). Refer to Table 1.3 through Table 1.5 on page 13 for more detailed information.

2.3 Data Input

The Data Input bus operation allows the data to be programmed to be sent to the device. The data insertion is serial and timed by the Write Enable cycles. Data is accepted only with Chip Enable low, Address Latch Enable low, Command Latch Enable low, Read Enable high, and Write Protect high and latched on the rising edge of Write Enable. See [Figure 6.3 on page 40](#) and [Table 5.4 on page 37](#) for details of the timing requirements.

2.4 Data Output

The Data Output bus operation allows data to be read from the memory array and to check the Status Register content, the EDC register content, and the ID data. Data can be serially shifted out by toggling the Read Enable pin with Chip Enable low, Write Enable high, Address Latch Enable low, and Command Latch Enable low. See [Figure 6.4 on page 41](#) and [Table 5.4 on page 37](#) for details of the timings requirements.

2.5 Write Protect

The Hardware Write Protection is activated when the Write Protect pin is low. In this condition, modify operations do not start and the content of the memory is not altered. The Write Protect pin is not latched by Write Enable to ensure the protection even during power up.

2.6 Standby

In Standby, the device is deselected, outputs are disabled, and power consumption is reduced.

3. Command Set

Table 3.1 Command Set

Command	1st Cycle	2nd Cycle	3rd Cycle	4th Cycle	Acceptable Command during Busy	Supported on S34ML01G1
Page Read	00h	30h			No	Yes
Page Program	80h	10h			No	Yes
Random Data Input	85h				No	Yes
Random Data Output	05h	E0h			No	Yes
Multiplane Program	80h	11h	81h	10h	No	No
ONFI Multiplane Program	80h	11h	80h	10h	No	No
Page Reprogram	8Bh	10h			No	No
Multiplane Page Reprogram	8Bh	11h	8Bh	10h	No	No
Block Erase	60h	D0h			No	Yes
Multiplane Block Erase	60h	60h	D0h		No	No
ONFI Multiplane Block Erase	60h	D1h	60h	D0h	No	No
Copy Back Read	00h	35h			No	Yes
Copy Back Program	85h	10h			No	Yes
Multiplane Copy Back Program	85h	11h	81h	10h	No	No
ONFI Multiplane Copy Back Program	85h	11h	85h	10h	No	No
Special Read For Copy Back	00h	36h			No	No
Read EDC Status Register	7Bh				Yes	No
Read Status Register	70h				Yes	Yes
Read Status Enhanced	78h				Yes	No
Reset	FFh				Yes	Yes
Read Cache	31h				No	Yes
Read Cache Enhanced	00h	31h			No	No
Read Cache End	3Fh				No	Yes
Cache Program (End)	80h	10h			No	Yes
Cache Program (Start) / (Continue)	80h	15h			No	Yes
Multiplane Cache Program (Start/Continue)	80h	11h	81h	15h	No	No
ONFI Multiplane Cache Program (Start/Continue)	80h	11h	80h	15h	No	No
Multiplane Cache Program (End)	80h	11h	81h	10h	No	No
ONFI Multiplane Cache Program (End)	80h	11h	80h	10h	No	No
Read ID	90h				No	Yes
Read ID2	30h-65h-00h	30h			No	Yes
Read ONFI Signature	90h				No	Yes
Read Parameter Page	ECh				No	Yes
One-time Programmable (OTP) Area Entry	29h-17h-04h-19h				No	Yes

3.1 Page Read

Page Read is initiated by writing 00h and 30h to the command register along with five address cycles (four or five cycles for S34ML01G1). Two types of operations are available: random read and serial page read. Random read mode is enabled when the page address is changed. All data within the selected page are transferred to the data registers. The system controller may detect the completion of this data transfer (t_R) by analyzing the output of the R/B pin. Once the data in a page is loaded into the data registers, they may be read out in 25 ns cycle time by sequentially pulsing RE#. The repetitive high to low transitions of the RE# signal makes the device output the data, starting from the selected column address up to the last column address.

The device may output random data in a page instead of the sequential data by writing Random Data Output command. The column address of next data, which is going to be out, may be changed to the address that follows Random Data Output command. Random Data Output can be performed as many times as needed.

After power up, the device is in read mode, so 00h command cycle is not necessary to start a read operation. Any operation other than read or Random Data Output causes the device to exit read mode.

See [Figure 6.6 on page 42](#) and [Figure 6.12 on page 46](#) as references.

3.2 Page Program

A page program cycle consists of a serial data loading period in which up to 2112 bytes (x8) or 1056 words (x16) of data may be loaded into the data register, followed by a non-volatile programming period where the loaded data is programmed into the appropriate cell.

The serial data loading period begins by inputting the Serial Data Input command (80h), followed by the five cycle address inputs (four cycles for S34ML01G1) and then serial data. The words other than those to be programmed do not need to be loaded. The device supports Random Data Input within a page. The column address of next data, which will be entered, may be changed to the address that follows the Random Data Input command (85h). Random Data Input may be performed as many times as needed.

The Page Program confirm command (10h) initiates the programming process. The internal write state controller automatically executes the algorithms and controls timings necessary for program and verify, thereby freeing the system controller for other tasks.

Once the program process starts, the Read Status Register commands (70h or 78h) may be issued to read the Status Register. The system controller can detect the completion of a program cycle by monitoring the R/B# output, or the Status bit (I/O6) of the Status Register. Only the Read Status commands (70h or 78h) or Reset command are valid while programming is in progress. When the Page Program is complete, the Write Status Bit (I/O0) may be checked. The internal write verify detects only errors for 1's that are not successfully programmed to 0's. The command register remains in Read Status command mode until another valid command is written to the command register. [Figure 6.9 on page 44](#) and [Figure 6.11 on page 45](#) detail the sequence.

The device is programmable by page, but it also allows multiple partial page programming of a word or consecutive bytes up to 2112 bytes (x8) or 1056 words (x16) in a single page program cycle.

The number of consecutive partial page programming operations (NOP) within the same page must not exceed the number indicated in [Table 5.7 on page 39](#). Pages may be programmed in any order within a block.

Users who use "EDC check" (for S34ML02G1 and S34ML04G1 only) in copy back must comply with some limitations related to data handling during one page program sequence. Refer to [Section 3.8 on page 22](#) for details.

If a Page Program operation is interrupted by hardware reset, power failure or other means, the host must ensure that the interrupted page is not used for further reading or programming operations until the next uninterrupted block erase is complete.

3.3 Multiplane Program — S34ML02G1 and S34ML04G1

The S34ML02G1 and S34ML04G1 devices support Multiplane Program, making it possible to program two pages in parallel, one page per plane.

A Multiplane Program cycle consists of a double serial data loading period in which up to 4224 bytes (x8) or 2112 words (x16) of data may be loaded into the data register, followed by a non-volatile programming period where the loaded data is programmed into the appropriate cell. The serial data loading period begins with inputting the Serial Data Input command (80h), followed by the five cycle address inputs and serial data for the 1st page. The address for this page must be in the 1st plane (PLA0 = 0). The device supports Random Data Input exactly the same as in the case of page program operation. The Dummy Page Program Confirm command (11h) stops 1st page data input and the device becomes busy for a short time (t_{DBSY}). Once it has become ready again, the '81h' command must be issued, followed by 2nd page address (5 cycles) and its serial data input. The address for this page must be in the 2nd plane (PLA0 = 1). The Program Confirm command (10h) starts parallel programming of both pages.

[Figure 6.13 on page 46](#) describes the sequences using the legacy protocol. In this case, the block address bits for the first plane are all zero and the second address issued selects the block for both planes. [Figure 6.14 on page 47](#) describes the sequences using the ONFI protocol. For both addresses issued in this protocol, the block address bits must be the same except for the bit(s) that select the plane.

The user can check operation status by monitoring R/B# pin or reading the Status Register (command 70h or 78h). The Read Status Register command is also available during Dummy Busy time (t_{DBSY}). In case of failure in either page program, the fail bit of the Status Register will be set. Refer to [Section 3.9 on page 24](#) for further info.

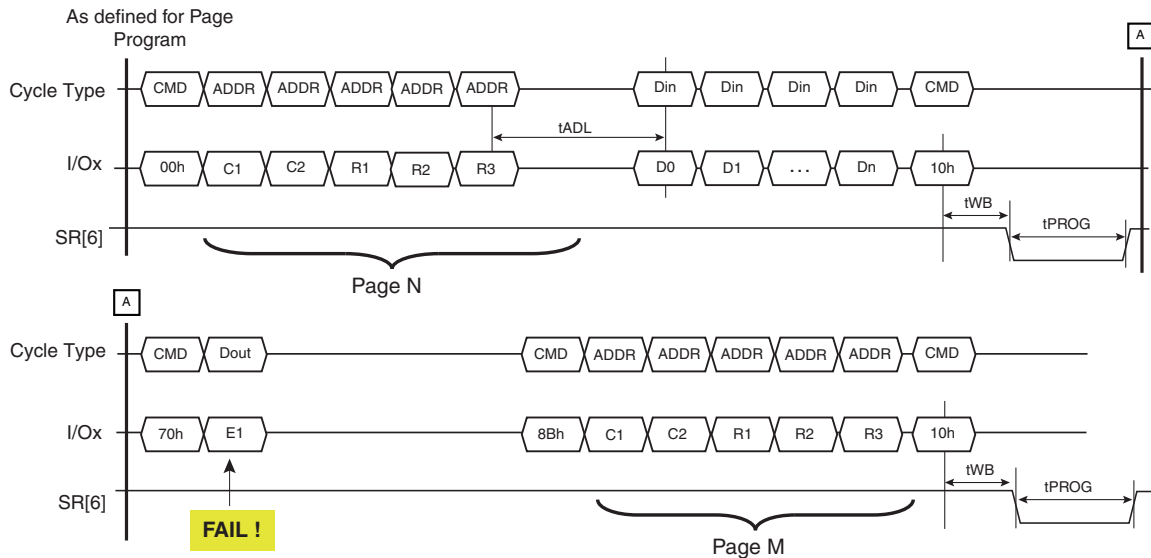
The number of consecutive partial page programming operations (NOP) within the same page must not exceed the number indicated in [Table 5.7 on page 39](#). Pages may be programmed in any order within a block.

If a Multiplane Program operation is interrupted by hardware reset, power failure or other means, the host must ensure that the interrupted pages are not used for further reading or programming operations until the next uninterrupted block erases are complete for the applicable blocks.

3.4 Page Reprogram — S34ML02G1 and S34ML04G1

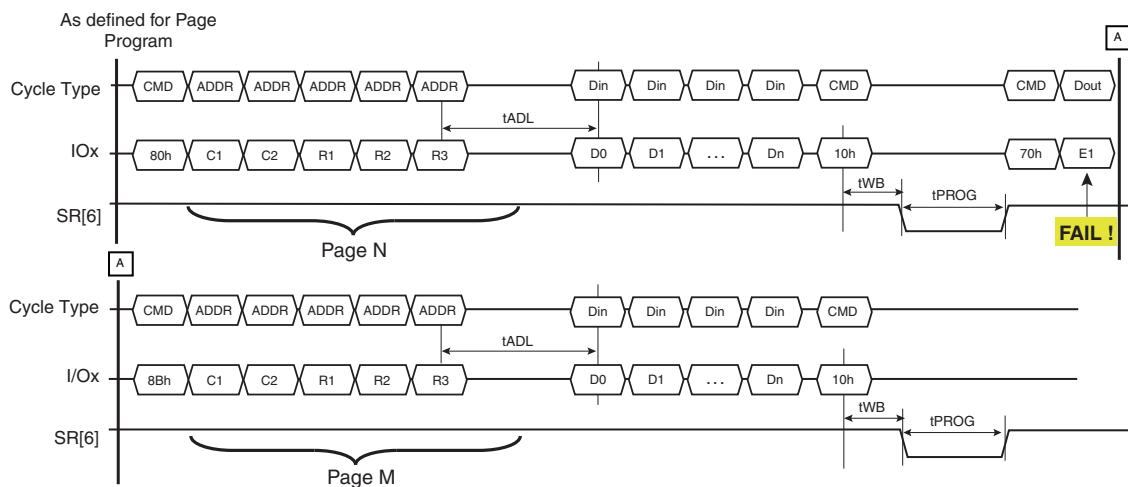
Page Program may result in a fail, which can be detected by Read Status Register. In this event, the host may call Page Reprogram. This command allows the reprogramming of the same pattern of the last (failed) page into another memory location. The command sequence initiates with reprogram setup (8Bh), followed by the five cycle address inputs of the target page. If the target pattern for the destination page is not changed compared to the last page, the program confirm (10h) without any data input cycle, as described in [Figure 3.1](#).

Figure 3.1 Page Reprogram



On the other hand, if the pattern bound for the target page is different from that of the previous page, data in cycles can be issued before program confirm '10h', as described in [Figure 3.2](#).

Figure 3.2 Page Reprogram with Data Manipulation



The device supports Random Data Input within a page. The column address of next data, which will be entered, may be changed to the address which follows the Random Data Input command (85h). Random Data Input may be operated multiple times regardless of how many times it is done in a page.

The Program Confirm command (10h) initiates the re-programming process. The internal write state controller automatically executes the algorithms and controls timings necessary for program and verify, thereby freeing the system controller for other tasks. Once the program process starts, the Read Status Register command may be issued to read the Status Register. The system controller can detect the completion of a program cycle by monitoring the R/B# output, or the Status bit (I/O6) of the Status Register. Only the Read Status command and Reset command are valid when programming is in progress. When the Page Program is complete, the Write Status Bit (I/O0) may be checked. The internal write verify detects only errors for 1's that are not successfully programmed to 0's. The command register remains in Read Status command mode until another valid command is written to the command register.

The Page Reprogram must be issued in the same plane as the Page Program that failed. In order to program the data to a different plane, use the Page Program operation instead. The Multiplane Page Reprogram can re-program two pages in parallel, one per plane. The Multiplane Page Reprogram operation is performed after a failed Multiplane Page Program operation. The command sequence is very similar to [Figure 6.13 on page 46](#), except that it requires the Page Reprogram Command (8Bh) instead of 80h and 81h.

If a Page Reprogram operation is interrupted by hardware reset, power failure or other means, the host must ensure that the interrupted page is not used for further reading or programming operations until the next uninterrupted block erase is complete.

3.5 Block Erase

The Block Erase operation is done on a block basis. Block address loading is accomplished in three cycles (two cycles for S34ML01G1) initiated by an Erase Setup command (60h). Only the block address bits are valid while the page address bits are ignored.

The Erase Confirm command (D0h) following the block address loading initiates the internal erasing process. This two-step sequence of setup followed by the execution command ensures that memory contents are not accidentally erased due to external noise conditions.

At the rising edge of WE# after the erase confirm command input, the internal write controller handles erase and erase verify. Once the erase process starts, the Read Status Register commands (70h or 78h) may be issued to read the Status Register.

The system controller can detect the completion of an erase by monitoring the R/B# output, or the Status bit (I/O6) of the Status Register. Only the Read Status commands (70h or 78h) and Reset command are valid while erasing is in progress. When the erase operation is completed, the Write Status Bit (I/O0) may be checked. [Figure 6.15 on page 47](#) details the sequence.

If a Block Erase operation is interrupted by hardware reset, power failure or other means, the host must ensure that the interrupted block is erased under continuous power conditions before that block can be trusted for further programming and reading operations.

3.6 Multiplane Block Erase — S34ML02G1 and S34ML04G1

Multiplane Block Erase allows the erase of two blocks in parallel, one block per memory plane.

The Block erase setup command (60h) must be repeated two times, followed by 1st and 2nd block address respectively (3 cycles each). As for block erase, D0h command makes embedded operation start. In this case, multiplane erase does not need any Dummy Busy Time between 1st and 2nd block insertion. See [Table 5.7 on page 39](#) for performance information.

For the Multiplane Block Erase operation, the address of the first block must be within the first plane (PLA0 = 0) and the address of the second block in the second plane (PLA0 = 1). See [Figure 6.16 on page 48](#) for a description of the legacy protocol. In this case, the block address bits for the first plane are all zero and the second address issued selects the block for both planes. [Figure 6.17 on page 48](#) describes the sequences using the ONFI protocol. For both addresses issued in this protocol, the block address bits must be the same except for the bit(s) that select the plane.

The user can check operation status by monitoring R/B# pin or reading the Status Register (command 70h or 78h). The Read Status Register command is also available during Dummy Busy time (t_{DBSY}). In case of failure in either erase, the fail bit of the Status Register will be set. Refer to [Section 3.9 on page 24](#) for further information.

If a Multiplane Block Erase operation is interrupted by hardware reset, power failure or other means, the host must ensure that the interrupted blocks are erased under continuous power conditions before those blocks can be trusted for further programming and reading operations.

3.7 Copy Back Program

The copy back feature is intended to quickly and efficiently rewrite data stored in one page without utilizing an external memory. Since the time-consuming cycles of serial access and re-loading cycles are removed, the system performance is greatly improved. The benefit is especially obvious when a portion of a block needs to be updated and the rest of the block also needs to be copied to the newly assigned free block. The operation for performing a copy back is a sequential execution of page-read (without mandatory serial access) and Copy Back Program with the address of destination page. A read operation with the '35h' command and the address of the source page moves the whole page of data into the internal data register. As soon as the device returns to the Ready state, optional data read-out is allowed by toggling RE# (see [Figure 6.18 on page 49](#)), or the Copy Back Program command (85h) with the address cycles of the destination page may be written. The Program Confirm command (10h) is required to actually begin programming.

The source and the destination pages in the Copy Back Program sequence must belong to the same device plane (same PLA0 for S34ML02G1 and S34ML04G1). Copy Back Read and Copy Back Program for a given plane must be between odd address pages or between even address pages for the device to meet the program time (t_{PROG}) specification. Copy Back Program may not meet this specification when copying from an odd address page (source page) to an even address page (target page) or from an even address page (source page) to an odd address page (target page).

The data input cycle for modifying a portion or multiple distinct portions of the source page is allowed as shown in [Figure 6.19 on page 49](#). As noted in [Section 1. on page 5](#) the device may include an automatic EDC (for S34ML02G1 and S34ML04G1) check during the copy back operation, to detect single bit errors in EDC units contained within the source page. More details on EDC operation and limitations related to data input handling during one Copy Back Program sequence are available in [Section 3.8 on page 22](#).

If a Copy Back Program operation is interrupted by hardware reset, power failure or other means, the host must ensure that the interrupted page is not used for further reading or programming operations until the next uninterrupted block erase is complete.

3.7.1 Multiplane Copy Back Program — S34ML02G1 and S34ML04G1

The device supports Multiplane Copy Back Program with exactly the same sequence and limitations as the Page Program. Multiplane Copy Back Program must be preceded by two single page Copy Back Read command sequences (1st page must be read from the 1st plane and 2nd page from the 2nd plane).

Multiplane Copy Back cannot cross plane boundaries — the contents of the source page of one device plane can be copied only to a destination page of the same plane. EDC check is available also for Multiplane Copy Back Program only for S34ML02G1 and S34ML04G1.

When “EDC check” is used in copy back, it must comply with some limitations related to data handling during one Multiplane Copy Back Program sequence. Please refer to [Section 3.8 on page 22](#) for details on EDC operation. The Multiplane Copy Back Program sequence represented in [Figure 6.20 on page 50](#) shows the legacy protocol. In this case, the block address bits for the first plane are all zero and the second address issued selects the block for both planes. [Figure 6.21 on page 51](#) describes the sequence using the ONFI protocol. For both addresses issued in this protocol, the block address bits must be the same except for the bit(s) that select the plane.

If a Multiplane Copy Back Program operation is interrupted by hardware reset, power failure or other means, the host must ensure that the interrupted pages are not used for further reading or programming operations until the next uninterrupted block erases are complete for the applicable blocks.

3.7.2 Special Read for Copy Back — S34ML02G1 and S34ML04G1

The S34ML02G1 and S34ML04G1 devices support Special Read for Copy Back. If Copy Back Read (described in [Section 3.7](#) and [Section 3.7.1 on page 22](#)) is triggered with confirm command ‘36h’ instead ‘35h’, Copy Back Read from target page(s) will be executed with an increased internal (V_{PASS}) voltage.

This special feature is used in order to minimize the number of read errors due to over-program or read disturb — it shall be used only if ECC read errors have occurred in the source page using Page Read or Copy Back Read sequences.

Excluding the Copy Back Read confirm command, all other features described in [Section 3.7](#) and [Section 3.7.1](#) for standard copy back remain valid (including the figures referred to in those sections).

3.8 EDC Operation — S34ML02G1 and S34ML04G1

Error Detection Code check is a feature that can be used during the copy back operation (both single and multiplane) to detect single bit errors occurring in the source page(s).

Note: The S34ML01G1 device does not support EDC.

- EDC check allows detection of up to 1 single bit error every 528 bytes, where each 528 byte group is composed of 512 bytes of main array and 16 bytes of spare area (see [Table 3.3](#) and [Table 3.4 on page 24](#)). The described 528-byte area is called an “EDC unit.”
- In the x16 device, EDC allows detection of up to 1 single bit error every 264 words, where each 264 word group is composed by 256 words of main array and 8 words of spare area see [Table 3.3](#) and [Table 3.4 on page 24](#)). The described 264-word area is called “EDC unit.”

EDC results can be checked through a specific Read EDC register command, available only after issuing a Copy Back Program or a Multiplane Copy Back Program. The EDC register can be queried during the copy back program busy time (t_{PROG}).

For the “EDC check” feature to operate correctly, specific conditions on data input handling apply for program operations.

For the case of Page Program, Multiplane Page Program, Page Reprogram, Multiplane Page Reprogram, Cache Program, and Multiplane Cache Program operations:

- In [Section 3.2 on page 17](#) it was explained that a number of consecutive partial program operations (NOP) is allowed within the same page. In case this feature is used, the number of partial program operations occurring in the same EDC unit must not exceed 1. In other words, page program operations must be performed on the whole page, or on whole EDC unit at a time.
- “Random Data Input” in a given EDC unit can be executed several times during one page program sequence, but data cannot be written to any column address more than once before the program is initiated.

For the case of Copy Back Program or Multiplane Copy Back Program operations:

- If Random Data Input is applied in a given EDC unit, the entire EDC unit must be written to the page buffer. In other words, the EDC check is possible only if the whole EDC unit is modified during one Copy Back Program sequence.
- “Random Data Input” in a given EDC unit can be executed several times during one Copy Back Program sequence, but data insertion in each column address of the EDC unit must not exceed 1.

If you use copy back without EDC check, none of the limitations described above apply.

After a Copy Back Program operation, the host can use Read EDC Status Register to check the status of both the program operation and the Copy Back Read. If the EDC was valid and an error was reported in the EDC (see [Table 3.2 on page 23](#)), the host may perform Special Read For Copy Back on the source page and attempt the Copy Back Program again. If this also fails, the host can execute a Page Read operation in order to correct a single bit error with external ECC software or hardware.

3.8.1 Read EDC Status Register — S34ML02G1 and S34ML04G1

This operation is available only after issuing a Copy Back Program and it allows the detection of errors during Copy Back Read. In the case of multiplane copy back, it is not possible to know which of the two read operations caused the error.

After writing the Read EDC Status Register command (7Bh) to the command register, a read cycle outputs the content of the EDC Register to the I/O pins on the falling edge of CE# or RE#, whichever occurs last.

The operation is the same as the Read Status Register command. Refer to [Table 3.2](#) for specific EDC Register definitions:

Table 3.2 EDC Register Coding

ID	Copy Back Program	Coding
0	Pass / Fail	Pass: 0; Fail: 1
1	EDC status	No error: 0; Error: 1
2	EDC validity	Invalid: 0; Valid: 1
3	NA	—
4	NA	—
5	Ready / Busy	Busy: 0; Ready: 1
6	Ready / Busy	Busy: 0; Ready: 1
7	Write Protect	Protected: 0; Not Protected: 1

Table 3.3 Page Organization in EDC Units

Main Field (2048 Byte)				Spare Field (64 Byte)			
“A” area (1st sector)	“B” area (2nd sector)	“C” area (3rd sector)	“D” area (4th sector)	“E” area (1st sector)	“F” area (2nd sector)	“G” area (3rd sector)	“H” area (4th sector)
x8							
512 byte	512 byte	512 byte	512 byte	16 byte	16 byte	16 byte	16 byte
x16							
256 words	256 words	256 words	256 words	8 words	8 words	8 words	8 words

Table 3.4 Page Organization in EDC Units by Address

Sector	Main Field (Column 0-2047)		Spare Field (Column 2048-2111)	
	Area Name	Column Address	Area Name	Column Address
x8				
1st 528-byte Sector	A	0-511	E	2048-2063
2nd 528-byte Sector	B	512-1023	F	2064-2079
3rd 528-byte Sector	C	1024-1535	G	2080-2095
4th 528-byte Sector	D	1536-2047	H	2096-2111
x16				
1st 256-word Sector	A	0-255	E	1024-1031
2nd 256-word Sector	B	256-511	F	1032-1039
3rd 256-word Sector	C	512-767	G	1040-1047
4th 256-word Sector	D	768-1023	H	1048-1055

3.9 Read Status Register

The Status Register is used to retrieve the status value for the last operation issued. After writing 70h command to the command register, a read cycle outputs the content of the Status Register to the I/O pins on the falling edge of CE# or RE#, whichever occurs last. This two-line control allows the system to poll the progress of each device in multiple memory connections even when R/B# pins are common-wired. Refer to [Section 3.5 on page 25](#) for specific Status Register definition, and to [Figure 6.22 on page 51](#) for timings.

If the Read Status Register command is issued during multiplane operations then Status Register polling will return the combined status value related to the outcome of the operation in the two planes according to the following table:

Status Register Bit	Composite Status Value
Bit 0, Pass/Fail	OR
Bit 1, Cache Pass/Fail	OR

In other words, the Status Register is dynamic; the user is not required to toggle RE# / CE# to update it.

The command register remains in Status Read mode until further commands are issued. Therefore, if the Status Register is read during a random read cycle, the read command (00h) must be issued before starting read cycles.

Note: The Read Status Register command shall not be used for concurrent operations in multi-die stack configurations (single CE#). “Read Status Enhanced” shall be used instead.

3.10 Read Status Enhanced — S34ML02G1 and S34ML04G1

Read Status Enhanced is used to retrieve the status value for a previous operation in the specified plane.

[Figure 6.23 on page 52](#) defines the Read Status Enhanced behavior and timings. The plane and die address must be specified in the command sequence in order to retrieve the status of the die and the plane of interest.

Refer to [Table 3.5](#) for specific Status Register definitions. The command register remains in Status Read mode until further commands are issued.

The Status Register is dynamic; the user is not required to toggle RE# / CE# to update it.

3.11 Read Status Register Field Definition

Table 3.5 below lists the meaning of each bit of the Read Status Register and Read Status Enhanced (S34ML02G1 and S34ML04G1).

Table 3.5 Status Register Coding

ID	Page Program / Page Reprogram	Block Erase	Read	Read Cache	Cache Program / Cache Reprogram	Coding
0	Pass / Fail	Pass / Fail	NA	NA	Pass / Fail	N Page Pass: 0 Fail: 1
1	NA	NA	NA	NA	Pass / Fail	N - 1 Page Pass: 0 Fail: 1
2	NA	NA	NA	NA	NA	—
3	NA	NA	NA	NA	NA	—
4	NA	NA	NA	NA	NA	—
5	Ready / Busy	Ready / Busy	Ready / Busy	Ready / Busy	Ready / Busy	Internal Data Operation Active: 0 Idle: 1
6	Ready / Busy	Ready / Busy	Ready / Busy	Ready / Busy	Ready / Busy	Ready / Busy Busy: 0 Ready: 1
7	Write Protect	Write Protect	NA	NA	Write Protect	Protected: 0 Not Protected: 1

3.12 Reset

The Reset feature is executed by writing FFh to the command register. If the device is in the Busy state during random read, program, or erase mode, the Reset operation will abort these operations. The contents of memory cells being altered are no longer valid, as the data may be partially programmed or erased. The command register is cleared to wait for the next command, and the Status Register is cleared to value E0h when WP# is high or value 60h when WP# is low. If the device is already in reset state a new Reset command will not be accepted by the command register. The R/B# pin transitions to low for t_{RST} after the Reset command is written. Refer to Figure 6.24 on page 52 for further details. The Status Register can also be read to determine the status of a Reset operation.

3.13 Read Cache

Read Cache can be used to increase the read operation speed, as defined in Section 3.1 on page 17, and it cannot cross a block boundary. As soon as the user starts to read one page, the device automatically loads the next page into the cache register. Serial data output may be executed while data in the memory is read into the cache register. Read Cache is initiated by the Page Read sequence (00-30h) on a page M.

After random access to the first page is complete (R/B# returned to high, or Read Status Register I/O6 switches to high), two command sequences can be used to continue read cache:

- Read Cache (command '31h' only): once the command is latched into the command register (see Figure 6.26 on page 53), device goes busy for a short time (t_{CBSYR}), during which data of the first page is transferred from the data register to the cache register. At the end of this phase, the cache register data can be output by toggling RE# while the next page (page address M+1) is read from the memory array into the data register.
- Read Cache Enhanced (sequence '00h' <page N address> '31'): once the command is latched into the command register (see Figure 6.27 on page 54), device goes busy for a short time (t_{CBSYR}), during which data of the first page is transferred from the data register to the cache register. At the end of this phase, cache register data can be output by toggling RE# while page N is read from the memory array into the data register.

Note: The S34ML01G1 device does not support Read Cache Enhanced.

Subsequent pages are read by issuing additional Read Cache or Read Cache Enhanced command sequences. If serial data output time of one page exceeds random access time (t_R), the random access time of the next page is hidden by data downloading of the previous page.

On the other hand, if 31h is issued prior to completing the random access to the next page, the device will stay busy as long as needed to complete random access to this page, transfer its contents into the cache register, and trigger the random access to the following page.

To terminate the Read Cache operation, 3Fh command should be issued (see [Figure 6.28 on page 54](#)). This command transfers data from the data register to the cache register without issuing next page read.

During the Read Cache operation, the device doesn't allow any other command except for 00h, 31h, 3Fh, Read SR, or Reset (FFh). To carry out other operations, Read Cache must be terminated by the Read Cache End command (3Fh) or the device must be reset by issuing FFh.

Read Status command (70h) may be issued to check the status of the different registers and the busy/ready status of the cached read operations.

- The Cache-Busy status bit I/O6 indicates when the cache register is ready to output new data.
- The status bit I/O5 can be used to determine when the cell reading of the current data register contents is complete.

Note: The Read Cache and Read Cache End commands reset the column counter, thus, when RE# is toggled to output the data of a given page, the first output data is related to the first byte of the page (column address 00h). Random Data Output command can be used to switch column address.

3.14 Cache Program

Cache Program can improve the program throughput by using the cache register. The Cache Program operation cannot cross a block boundary. The cache register allows new data to be input while the previous data that was transferred to the data register is programmed into the memory array.

After the serial data input command (80h) is loaded to the command register, followed by five cycles of address, a full or partial page of data is latched into the cache register.

Once the cache write command (15h) is loaded to the command register, the data in the cache register is transferred into the data register for cell programming. At this time the device remains in the Busy state for a short time (t_{CBSYW}). After all data of the cache register is transferred into the data register, the device returns to the Ready state and allows loading the next data into the cache register through another Cache Program command sequence (80h-15h).

The Busy time following the first sequence 80h - 15h equals the time needed to transfer the data from the cache register to the data register. Cell programming the data of the data register and loading of the next data into the cache register is consequently processed through a pipeline model.

In case of any subsequent sequence 80h - 15h, transfer from the cache register to the data register is held off until cell programming of current data register contents is complete; till this moment the device will stay in a busy state (t_{CBSYW}).

Read Status commands (70h or 78h) may be issued to check the status of the different registers, and the pass/fail status of the cached program operations.

- The Cache-Busy status bit I/O6 indicates when the cache register is ready to accept new data.
- The status bit I/O5 can be used to determine when the cell programming of the current data register contents is complete.
- The Cache Program error bit I/O1 can be used to identify if the previous page (page N-1) has been successfully programmed or not in a Cache Program operation. The status bit is valid upon I/O6 status bit changing to 1.
- The error bit I/O0 is used to identify if any error has been detected by the program/erase controller while programming page N. The status bit is valid upon I/O5 status bit changing to 1.

I/O1 may be read together with I/O0.

If the system monitors the progress of the operation only with R/B#, the last page of the target program sequence must be programmed with Page Program Confirm command (10h). If the Cache Program command (15h) is used instead, the status bit I/O5

must be polled to find out if the last programming is finished before starting any other operation. See [Table 3.5 on page 25](#) and [Figure 6.29 on page 55](#) for more details.

If a Cache Program operation is interrupted by hardware reset, power failure or other means, the host must ensure that the interrupted pages are not used for further reading or programming operations until the next uninterrupted block erases are complete for the applicable blocks.

3.15 Multiplane Cache Program — S34ML02G1 and S34ML04G1

The Multiplane Cache Program enables high program throughput by programming two pages in parallel, while exploiting the data and cache registers of both planes to implement cache.

The command sequence can be summarized as follows:

- Serial Data Input command (80h), followed by the five cycle address inputs and then serial data for the 1st page. Address for this page must be within 1st plane (PLA0 = 0). The data of 1st page other than those to be programmed do not need to be loaded. The device supports Random Data Input exactly like Page Program operation.
- The Dummy Page Program Confirm command (11h) stops 1st page data input and the device becomes busy for a short time (t_{DBSY}).
- Once device returns to ready again, 81h command must be issued, followed by 2nd page address (5 cycles) and its serial data input. Address for this page must be within 2nd plane (PLA0 = 1). The data of 2nd page other than those to be programmed do not need to be loaded.
- Cache Program confirm command (15h). Once the cache write command (15h) is loaded to the command register, the data in the cache registers is transferred into the data registers for cell programming. At this time the device remains in the Busy state for a short time (t_{CBSYW}). After all data from the cache registers are transferred into the data registers, the device returns to the Ready state, and allows loading the next data into the cache register through another Cache Program command sequence.

The sequence 80h...- 11h...-...81h...-...15h can be iterated, and each time the device will be busy for the t_{CBSYW} time needed to complete programming the current data register contents, and transferring the new data from the cache registers. The sequence to end Multiplane Cache Program is 80h...- 11h...-...81h...-...10h.

The Multiplane Cache Program is available only within two paired blocks in separate planes. [Figure 6.30 on page 56](#) shows the legacy protocol for the Multiplane Cache Program operation. In this case, the block address bits for the first plane are all zero and the second address issued selects the block for both planes. [Figure 6.31 on page 57](#) shows the ONFI protocol for the Multiplane Cache Program operation. For both addresses issued in this protocol, the block address bits must be the same except for the bit(s) that select the plane.

The user can check operation status by R/B# pin or Read Status Register commands (70h or 78h). If the user opts for 70h, Read Status Register will provide “global” information about the operation in the two planes.

- I/O6 indicates when both cache registers are ready to accept new data.
- I/O5 indicates when the cell programming of the current data registers is complete.
- I/O1 identifies if the previous pages in both planes (pages N-1) have been successfully programmed or not. This status bit is valid upon I/O6 status bit changing to 1.
- I/O0 identifies if any error has been detected by the program/erase controller while programming the two pages N. This status bit is valid upon I/O5 status bit changing to 1.

See [Table 3.5 on page 25](#) for more details.

If the system monitors the progress of the operation only with R/B#, the last pages of the target program sequence must be programmed with Page Program Confirm command (10h). If the Cache Program command (15h) is used instead, the status bit I/O5 must be polled to find out if the last programming is finished before starting any other operation. Refer to [Section 3.9 on page 24](#) for further information.

If a Multiplane Cache Program operation is interrupted by hardware reset, power failure or other means, the host must ensure that the interrupted pages are not used for further reading or programming operations until the next uninterrupted block erases are complete for the applicable blocks.

3.16 Read ID

The device contains a product identification mode, initiated by writing 90h to the command register, followed by an address input of 00h.

Note: If you want to execute Read Status command (0x70) after Read ID sequence, you should input dummy command (0x00) before Read Status command (0x70).

For the S34ML02G1 and S34ML04G1 devices, five read cycles sequentially output the manufacturer code (01h), and the device code and 3rd, 4th, and 5th cycle ID, respectively. For the S34ML01G1 device, four read cycles sequentially output the manufacturer code (01h), device id (F1h), 3rd cycle (00h), and 4th cycle ID of 1Dh respectively. The command register remains in Read ID mode until further commands are issued to it. [Figure 6.32 on page 58](#) shows the operation sequence, while [Table 3.6](#) to [Table 3.11](#) explain the byte meaning.

Table 3.6 Read ID for Supported Configurations

Density	Org	V _{CC}	1st	2nd	3rd	4th	5th
1 Gb	x8	3.3V	01h	F1h	00h	1Dh	—
2 Gb			01h	DAh	90h	95h	44h
4 Gb			01h	DCh	90h	95h	54h
1 Gb	x16		01h	C1h	00h	5Dh	—
2 Gb			01h	CAh	90h	D5h	44h
4 Gb			01h	CCh	90h	D5h	54h

Table 3.7 Read ID Bytes

Device Identifier Byte	Description
1st	Manufacturer Code
2nd	Device Identifier
3rd	Internal chip number, cell type, etc.
4th	Page Size, Block Size, Spare Size, Serial Access Time, Organization
5th (S34ML02G1, S34ML04G1)	ECC, Multiplane information

3rd ID Data

Table 3.8 Read ID Byte 3 Description

	Description	I/O7	I/O6	I/O5 I/O4	I/O3 I/O2	I/O1 I/O0
Internal Chip Number	1					0 0
	2					0 1
	4					1 0
	8					1 1
Cell type	2-level cell				0 0	
	4-level cell				0 1	
	8-level cell				1 0	
	16-level cell				1 1	
Number of simultaneously programmed pages	1			0 0		
	2			0 1		
	4			1 0		
	8			1 1		
Interleave program Between multiple chips	Not supported		0			
	Supported		1			
Cache Program	Not supported	0				
	Supported	1				

4th ID Data

Table 3.9 Read ID Byte 4 Description — S34ML01G1

	Description	I/O7	I/O6	I/O5 I/O4	I/O3	I/O2	I/O1 I/O0
Page Size (without spare area)	1 kB						0 0
	2 kB						0 1
	4 kB						1 0
	8 kB						1 1
Block Size (without spare area)	64 kB			0 0			
	128 kB			0 1			
	256 kB			1 0			
	512 kB			1 1			
Spare Area Size (byte / 512 byte)	8					0	
	16					1	
Serial Access Time	45 ns	0			0		
	25 ns	0			1		
	Reserved	1			0		
	Reserved	1			1		
Organization	x8		0				
	x16		1				

Table 3.10 Read ID Byte 4 Description — S34ML02G1 and S34ML04G1

	Description	I/O7	I/O6	I/O5 I/O4	I/O3	I/O2	I/O1 I/O0
Page Size (without spare area)	1 kB						0 0
	2 kB						0 1
	4 kB						1 0
	8 kB						1 1
Block Size (without spare area)	64 kB			0 0			
	128 kB			0 1			
	256 kB			1 0			
	512 kB			1 1			
Spare Area Size (byte / 512 byte)	8					0	
	16					1	
Serial Access Time	50 ns / 30 ns	0			0		
	25 ns	1			0		
	Reserved	0			1		
	Reserved	1			1		
Organization	x8		0				
	x16		1				

5th ID Data

Table 3.11 Read ID Byte 5 Description — S34ML02G1 and S34ML04G1

	Description	I/O7	I/O6 I/O5 I/O4	I/O3 I/O2	I/O1	I/O0
Plane Number	1			0 0		
	2			0 1		
	4			1 0		
	8			1 1		
Plane Size (without spare area)	64 Mb		0 0 0			
	128 Mb		0 0 1			
	256 Mb		0 1 0			
	512 Mb		0 1 1			
	1 Gb		1 0 0			
	2 Gb		1 0 1			
	4 Gb		1 1 0			
Reserved		0			0	0

3.17 Read ID2

The device contains an alternate identification mode, initiated by writing 30h-65h-00h to the command register, followed by address inputs, followed by command 30h. The address for S34ML01G1 will be 00h-02h-02h-00h. The address for S34ML02G1 and S34ML04G1 will be 00h-02h-02h-00h-00h. The ID2 data can then be read from the device by pulsing RE#. The command register remains in Read ID2 mode until further commands are issued to it. [Figure 6.33 on page 58](#) shows the Read ID2 command sequence. Read ID2 values are all 0xFs, unless specific values are requested when ordering from Cypress.

3.18 Read ONFI Signature

To retrieve the ONFI signature, the command 90h together with an address of 20h shall be entered (i.e. it is not valid to enter an address of 00h and read 36 bytes to get the ONFI signature). The ONFI signature is the ASCII encoding of 'ONFI' where 'O' = 4Fh, 'N' = 4Eh, 'F' = 46h, and 'I' = 49h. Reading beyond four bytes yields indeterminate values. [Figure 6.34 on page 59](#) shows the operation sequence.

3.19 Read Parameter Page

The device supports the ONFI Read Parameter Page operation, initiated by writing ECh to the command register, followed by an address input of 00h. The host may monitor the R/B# pin or wait for the maximum data transfer time (t_R) before reading the Parameter Page data. The command register remains in Parameter Page mode until further commands are issued to it. If the Status Register is read to determine when the data is ready, the Read Command (00h) must be issued before starting read cycles. [Figure 6.35 on page 59](#) shows the operation sequence, while [Table 3.12](#) explains the parameter fields.

For x16 devices, the upper eight I/Os are not used and are 0xFF.

Table 3.12 Parameter Page Description (Sheet 1 of 3)

Byte	O/M	Description	Values
Revision Information and Features Block			
0-3	M	Parameter page signature Byte 0: 4Fh, "O" Byte 1: 4Eh, "N" Byte 2: 46h, "F" Byte 3: 49h, "I"	4Fh, 4Eh, 46h, 49h
4-5	M	Revision number 2-15 Reserved (0) 1 1 = supports ONFI version 1.0 0 Reserved (0)	02h, 00h
6-7	M	Features supported 5-15 Reserved (0) 4 1 = supports odd to even page Copyback 3 1 = supports interleaved operations 2 1 = supports non-sequential page programming 1 1 = supports multiple LUN operations 0 1 = supports 16-bit data bus width	S34ML01G100 (x8): 14h, 00h S34ML02G100 (x8): 1Ch, 00h S34ML04G100 (x8): 1Ch, 00h S34ML01G104 (x16): 15h, 00h S34ML02G104 (x16): 1Dh, 00h S34ML04G104 (x16): 1Dh, 00h
8-9	M	Optional commands supported 6-15 Reserved (0) 5 1 = supports Read Unique ID 4 1 = supports Copyback 3 1 = supports Read Status Enhanced 2 1 = supports Get Features and Set Features 1 1 = supports Read Cache commands 0 1 = supports Page Cache Program command	S34ML01G1: 13h, 00h S34ML02G1: 1Bh, 00h S34ML04G1: 1Bh, 00h
10-31		Reserved (0)	00h
Manufacturer Information Block			
32-43	M	Device manufacturer (12 ASCII characters)	53h, 50h, 41h, 4Eh, 53h, 49h, 4Fh, 4Eh, 20h, 20h, 20h, 20h
44-63	M	Device model (20 ASCII characters)	S34ML01G1: 53h, 33h, 34h, 4Dh, 4Ch, 30h, 31h, 47h, 31h, 20h, 20h, 20h, 20h, 20h, 20h, 20h, 20h, 20h, 20h, 20h S34ML02G1: 53h, 33h, 34h, 4Dh, 4Ch, 30h, 32h, 47h, 31h, 20h, 20h, 20h, 20h, 20h, 20h, 20h, 20h, 20h, 20h, 20h S34ML04G1: 53h, 33h, 34h, 4Dh, 4Ch, 30h, 34h, 47h, 31h, 20h, 20h, 20h, 20h, 20h, 20h, 20h, 20h, 20h, 20h, 20h
64	M	JEDEC manufacturer ID	01h
65-66	O	Date code	00h
67-79		Reserved (0)	00h

Table 3.12 Parameter Page Description (Sheet 2 of 3)

Byte	O/M	Description	Values
Memory Organization Block			
80-83	M	Number of data bytes per page	00h, 08h, 00h, 00h
84-85	M	Number of spare bytes per page	40h, 00h
86-89	M	Number of data bytes per partial page	00h, 02h, 00h, 00h
90-91	M	Number of spare bytes per partial page	10h, 00h
92-95	M	Number of pages per block	40h, 00h, 00h, 00h
96-99	M	Number of blocks per logical unit (LUN)	S34ML01G1: 00h, 04h, 00h, 00h S34ML02G1: 00h, 08h, 00h, 00h S34ML04G1: 00h, 10h, 00h, 00h
100	M	Number of logical units (LUNs)	01h
101	M	Number of address cycles 4-7 Column address cycles 0-3 Row address cycles	S34ML01G1: 22h S34ML02G1: 23h S34ML04G1: 23h
102	M	Number of bits per cell	01h
103-104	M	Bad blocks maximum per LUN	S34ML01G1: 14h, 00h S34ML02G1: 28h, 00h S34ML04G1: 50h, 00h
105-106	M	Block endurance	01h, 05h
107	M	Guaranteed valid blocks at beginning of target	01h
108-109	M	Block endurance for guaranteed valid blocks	01h, 03h
110	M	Number of programs per page	04h
111	M	Partial programming attributes 5-7 Reserved 4 1 = partial page layout is partial page data followed by partial page spare 1-3 Reserved 0 1 = partial page programming has constraints	00h
112	M	Number of bits ECC correctability	01h
113	M	Number of interleaved address bits 4-7 Reserved (0) 0-3 Number of interleaved address bits	S34ML01G1: 00h S34ML02G1: 01h S34ML04G1: 01h
114	O	Interleaved operation attributes 4-7 Reserved (0) 3 Address restrictions for program cache 2 1 = program cache supported 1 1 = no block address restrictions 0 Overlapped / concurrent interleaving support	S34ML01G1: 00h S34ML02G1: 04h S34ML04G1: 04h
115-127		Reserved (0)	00h
Electrical Parameters Block			
128	M	I/O pin capacitance	0Ah
129-130	M	Timing mode support 6-15 Reserved (0) 5 1 = supports timing mode 5 4 1 = supports timing mode 4 3 1 = supports timing mode 3 2 1 = supports timing mode 2 1 1 = supports timing mode 1 0 1 = supports timing mode 0, shall be 1	1Fh, 00h
131-132	O	Program cache timing mode support 6-15 Reserved (0) 5 1 = supports timing mode 5 4 1 = supports timing mode 4 3 1 = supports timing mode 3 2 1 = supports timing mode 2 1 1 = supports timing mode 1 0 1 = supports timing mode 0	1Fh, 00h

Table 3.12 Parameter Page Description (Sheet 3 of 3)

Byte	O/M	Description	Values
133-134	M	t _{PROG} Maximum page program time (μs)	BCh, 02h
135-136	M	t _{BERS} Maximum block erase time (μs)	S34ML01G1: B8h, 0Bh S34ML02G1: 10h, 27h S34ML04G1: 10h, 27h
137-138	M	t _R Maximum page read time (μs)	19h, 00h
139-140	M	t _{CCS} Minimum Change Column setup time (ns)	64h, 00h
141-163		Reserved (0)	00h
Vendor Block			
164-165	M	Vendor specific Revision number	00h
166-253		Vendor specific	00h
254-255	M	Integrity CRC	S34ML01G100 (x8): FFh, 63h S34ML02G100 (x8): 3Bh, C5h S34ML04G100 (x8): 45h, 8Eh S34ML01G104 (x16): 8Dh, 15h S34ML02G104 (x16): 49h, B3h S34ML04G104 (x16): 37h, F8h
Redundant Parameter Pages			
256-511	M	Value of bytes 0-255	Repeat Value of bytes 0-255
512-767	M	Value of bytes 0-255	Repeat Value of bytes 0-255
768+	O	Additional redundant parameter pages	FFh

Note:

1. "O" Stands for Optional, "M" for Mandatory.

3.20 One-Time Programmable (OTP) Entry

The device contains a one-time programmable (OTP) area, which is accessed by writing 29h-17h-04h-19h to the command register. The device is then ready to accept Page Read and Page Program commands (refer to [Page Read](#) and [Page Program on page 17](#)). The OTP area is of a single erase block size (64 pages), and hence only row addresses between 00h and 3Fh are allowed. The host must issue the Reset command (refer to [Reset on page 25](#)) to exit the OTP area and access the normal flash array. The Block Erase command is not allowed in the OTP area. Refer to [Figure 6.36 on page 60](#) for more detail on the OTP Entry command sequence.

Note: The OTP feature in the S34ML01G1 does not have non-volatile protection.

4. Signal Descriptions

4.1 Data Protection and Power On / Off Sequence

The device is designed to offer protection from any involuntary program/erase during power-transitions. An internal voltage detector disables all functions whenever V_{CC} is below about 1.8V.

The power-up and power-down sequence is shown in [Figure 6.37 on page 60](#), in this case V_{CC} and V_{CCQ} on the one hand (and V_{SS} and V_{SSQ} on the other hand) are shorted together at all times.

The Ready/Busy signal shall be valid within 100 μs after the power supplies have reached the minimum values (as specified on), and shall return to one within 5 ms (max).

During this busy time, the device executes the initialization process (cam reading), and dissipates a current I_{CC0} (30 mA max), in addition, it disregards all commands excluding Read Status Register (70h).

At the end of this busy time, the device defaults into "read setup", thus if the user decides to issue a page read command, the 00h command may be skipped.

The WP# pin provides hardware protection and is recommended to be kept at V_{IL} during power-up and power-down. A recovery time of minimum 100 μs is required before the internal circuit gets ready for any command sequences as shown in [Figure 6.37](#)

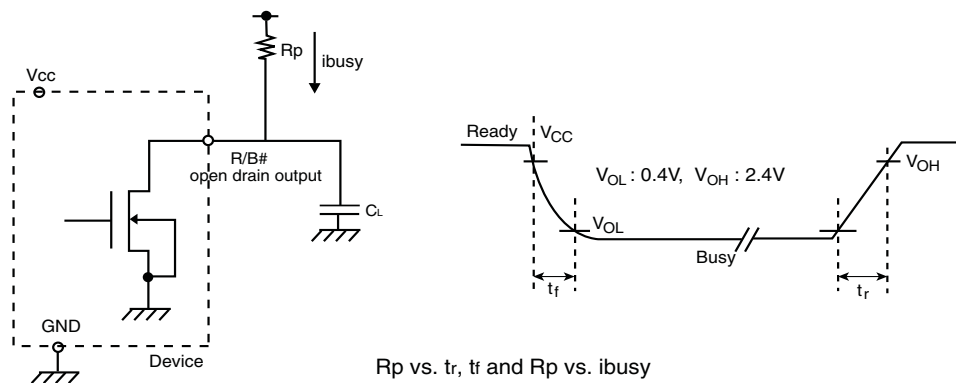
on page 60. The two-step command sequence for program/erase provides additional software protection.

4.2 Ready/Busy

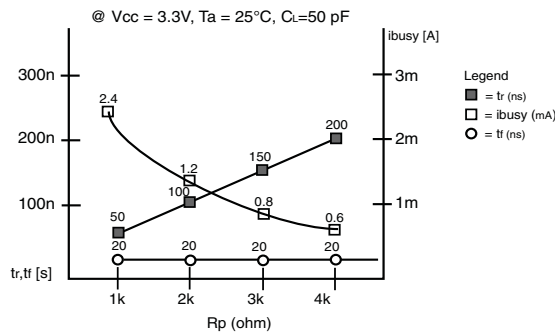
The Ready/Busy output provides a method of indicating the completion of a page program, erase, copyback, or read completion. The R/B# pin is normally high and goes to low when the device is busy (after a reset, read, program, or erase operation). It returns to high when the internal controller has finished the operation. The pin is an open-drain driver thereby allowing two or more R/B# outputs to be Or-tied. Because the pull-up resistor value is related to t_r (R/B#) and the current drain during busy (i_{busy}), and output load capacitance is related to t_f an appropriate value can be obtained with the reference chart shown in Figure 4.1.

For example, for a particular system with 20 pF of output load, t_f from V_{CC} to V_{OL} at 10% to 90% will be 10 ns, whereas for a particular load of 50 pF, Cypress measured it to be 20 ns as shown in Figure 4.1.

Figure 4.1 Ready/Busy Pin Electrical Application



Rp vs. tr, tf and Rp vs. ibusy



Rp value guidance

$$R_p (\text{min.}) = \frac{V_{CC} (\text{Max.}) - V_{OL} (\text{Max.})}{I_{OL} + \sum I_L} = \frac{3.2V}{8\text{mA} + \sum I_L}$$

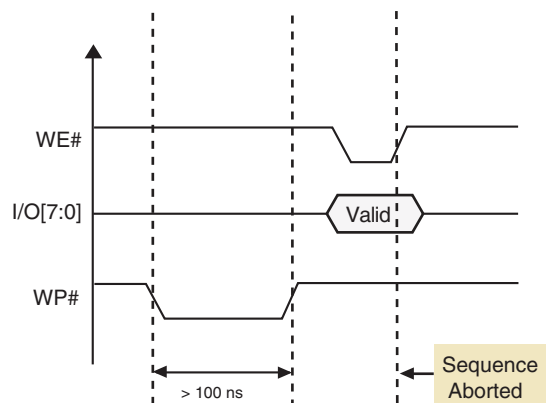
where I_L is the sum of the input currents of all devices tied to the R/B# pin.
 $R_p(\text{max})$ is determined by maximum permissible limit of t_r .

4.3 Write Protect Operation

Erase and program operations are aborted if WP# is driven low during busy time, and kept low for about 100 ns. Switching WP# low during this time is equivalent to issuing a Reset command (FFh). The contents of memory cells being altered are no longer valid, as the data will be partially programmed or erased. The R/B# pin will stay low for t_{RST} (similarly to [Figure 6.24 on page 52](#)). At the end of this time, the command register is ready to process the next command, and the Status Register bit I/O6 will be cleared to 1, while I/O7 value will be related to the WP# value. Refer to [Table 3.5 on page 25](#) for more information on device status.

Erase and program operations are enabled or disabled by setting WP# to high or low respectively, prior to issuing the setup commands (80h or 60h). The level of WP# shall be set t_{WV} ns prior to raising the WE# pin for the set up command, as explained in [Figure 6.38](#) and [Figure 6.39 on page 61](#).

Figure 4.2 WP# Low Timing Requirements during Program/Erase Command Sequence



5. Electrical Characteristics

5.1 Valid Blocks

Table 5.1 Valid Blocks

Device	Symbol	Min	Typ	Max	Unit
S34ML01G1	N_{VB}	1004	—	1024	Blocks
S34ML02G1	N_{VB}	2008	—	2048	Blocks
S34ML04G1	N_{VB}	4016	—	4096	Blocks

5.2 Absolute Maximum Ratings

Table 5.2 Absolute Maximum Ratings

Parameter	Symbol	Value	Unit
Ambient Operating Temperature (Industrial Temperature Range)	T_A	-40 to +85	°C
Temperature under Bias	T_{BIAS}	-50 to +125	°C
Storage Temperature	T_{STG}	-65 to +150	°C
Input or Output Voltage	$V_{IO(2)}$	-0.6 to +4.6	V
Supply Voltage	V_{CC}	-0.6 to +4.6	V

Notes:

1. Except for the rating "Operating Temperature Range", stresses above those listed in the table [Absolute Maximum Ratings](#) "Absolute Maximum Ratings" may cause permanent damage to the device. These are stress ratings only and operation of the device at these or any other conditions above those indicated in the Operating sections of this specification is not implied. Exposure to Absolute Maximum Rating conditions for extended periods may affect device reliability.
2. Minimum Voltage may undershoot to -2V during transition and for less than 20 ns during transitions.
3. Maximum Voltage may overshoot to $V_{CC}+2.0V$ during transition and for less than 20 ns during transitions.

5.3 AC Test Conditions

Table 5.3 AC Test Conditions

Parameter	Value
Input Pulse Levels	0.0V to V_{CC}
Input Rise And Fall Times	5 ns
Input And Output Timing Levels	$V_{CC} / 2$
Output Load (2.7V - 3.6V)	1 TTL Gate and $CL = 50$ pF

5.4 AC Characteristics

Table 5.4 AC Characteristics

Parameter	Symbol	Min	Max	Unit
ALE to RE# delay	t_{AR}	10	—	ns
ALE hold time	t_{ALH}	5	—	ns
ALE setup time	t_{ALS}	10	—	ns
Address to data loading time	t_{ADL}	70	—	ns
CE# low to RE# low	t_{CR}	10	—	ns
CE# hold time	t_{CH}	5	—	ns
CE# high to output High-Z	t_{CHZ}	—	30	ns
CLE hold time	t_{CLH}	5	—	ns
CLE to RE# delay	t_{CLR}	10	—	ns
CLE setup time	t_{CLS}	10	—	ns
CE# access time	t_{CEA} (4)	—	25	ns
CE# high to output hold	t_{COH} (3)	15	—	ns
CE# high to ALE or CLE don't care	t_{CSD}	10	—	ns
CE# setup time	t_{CS}	20	—	ns
Data hold time	t_{DH}	5	—	ns
Data setup time	t_{DS}	10	—	ns
Data transfer from cell to register	t_R	—	25	μ s
Output High-Z to RE# low	t_{IR}	0	—	ns
Read cycle time	t_{RC}	25	—	ns
RE# access time	t_{REA}	—	20	ns
RE# high hold time	t_{REH}	10	—	ns
RE# high to output hold	t_{RHOH} (3)	15	—	ns
RE# high to WE# low	t_{RHW}	100	—	ns
RE# high to output High-Z	t_{RHZ}	—	100	ns
RE# low to output hold	t_{RLOH}	5	—	ns
RE# pulse width	t_{RP}	12	—	ns
Ready to RE# low	t_{RR}	20	—	ns
Device resetting time (Read/Program/Erase)	t_{RST}	—	5/10/500	μ s
WE# high to busy	t_{WB}	—	100	ns
Write cycle time	t_{WC}	25	—	ns
WE# high hold time	t_{WH}	10	—	ns
WE# high to RE# low	t_{WHR}	60	—	ns
WE# pulse width	t_{WP}	12	—	ns
Write protect time	t_{WW}	100	—	ns

Notes:

1. The time to Ready depends on the value of the pull-up resistor tied to R/B# pin.
2. If Reset Command (FFh) is written at Ready state, the device goes into Busy for maximum 5 μ s.
3. CE# low to high or RE# low to high can be at different times and produce three cases. Depending on which signal comes high first, either t_{COH} or t_{RHOH} will be met.
4. During data output, t_{CEA} depends partly on t_{CR} (CE# low to RE# low). If t_{CR} exceeds the minimum value specified, then the maximum time for t_{CEA} may also be exceeded ($t_{CEA} = t_{CR} + t_{REA}$).

5.5 DC Characteristics

Table 5.5 DC Characteristics and Operating Conditions

Parameter	Symbol	Test Conditions	Min	Typ	Max	Units	
Power-On Current (S34ML02G1, S34ML04G1)	I_{CC0}	Power-Up Current (Refer to Section 4.1)	—	15	30	mA	
Operating Current	Sequential Read	I_{CC1}	t_{RC} = see Table 5.4 CE# = V_{IL} , $I_{OUT} = 0$ mA	—	15	30	mA
	Program	I_{CC2}	Normal (S34ML01G1)	—	15	30	mA
			Normal (S34ML02G1)	—	15	30	mA
			Normal (S34ML04G1)	—	—	30	mA
			Cache (S34ML02G1)	—	20	40	mA
			Cache (S34ML04G1)	—	—	40	mA
	Erase	I_{CC3}	— (S34ML01G1)	—	15	30	mA
			— (S34ML02G1)	—	—	30	mA
			— (S34ML04G1)	—	15	30	mA
Standby Current, (TTL)	I_{CC4}	CE# = V_{IH} , WP# = 0V/ V_{CC}	—	—	1	mA	
Standby Current, (CMOS)	I_{CC5}	CE# = $V_{CC} - 0.2$, WP# = 0/ V_{CC}	—	10	50	μ A	
Input Leakage Current	I_{LI}	$V_{IN} = 0$ to 3.6V	—	—	± 10	μ A	
Output Leakage Current	I_{LO}	$V_{OUT} = 0$ to 3.6V	—	—	± 10	μ A	
Input High Voltage	V_{IH}	—	$V_{CC} \times 0.8$	—	$V_{CC} + 0.3$	V	
Input Low Voltage	V_{IL}	—	-0.3	—	$V_{CC} \times 0.2$	V	
Output High Voltage	V_{OH}	$I_{OH} = -400$ μ A	2.4	—	—	V	
Output Low Voltage	V_{OL}	$I_{OL} = 2.1$ mA	—	—	0.4	V	
Output Low Current (R/B#)	$I_{OL(R/B\#)}$	$V_{OL} = 0.4$ V	8	10	—	mA	
V_{CC} Supply Voltage (erase and program lockout)	V_{LKO}	—	—	1.8	—	V	

Notes:

1. All V_{CCQ} and V_{CC} pins, and V_{SS} and V_{SSQ} pins respectively are shorted together.
2. Values listed in this table refer to the complete voltage range for V_{CC} and V_{CCQ} and to a single device in case of device stacking.
3. All current measurements are performed with a 0.1 μ F capacitor connected between the V_{CC} Supply Voltage pin and the V_{SS} Ground pin.
4. Standby current measurement can be performed after the device has completed the initialization process at power up. Refer to Section 4.1 for more details.

5.6 Pin Capacitance

Table 5.6 Pin Capacitance (TA = 25°C, f=1.0 MHz)

Parameter	Symbol	Test Condition	Min	Max	Unit
Input	C_{IN}	$V_{IN} = 0$ V	—	10	pF
Input / Output	C_{IO}	$V_{IL} = 0$ V	—	10	pF

Note:

1. For the stacked devices version the Input is 10 pF x [number of stacked chips] and the Input/Output is 10 pF x [number of stacked chips].

5.7 Program / Erase Characteristics

Table 5.7 Program / Erase Characteristics

Parameter	Description	Min	Typ	Max	Unit
Program Time / Multiplane Program Time (2)	t_{PROG}	—	200	700	μs
Dummy Busy Time for Multiplane Program (S34ML02G1, S34ML04G1)	t_{DBSY}	—	0.5	1	μs
Cache Program short busy time (S34ML02G1, S34ML04G1)	t_{CBSYW}	—	5	t_{PROG}	μs
Number of partial Program Cycles in the same page	Main + Spare	—	—	4	Cycle
Block Erase Time / Multiplane Erase Time (S34ML02G1, S34ML04G1)	t_{BERS}	—	3.5	10	ms
Block Erase Time (S34ML01G1)	t_{BERS}	—	2	3	ms
Read Cache busy time	t_{CBSYR}	—	3	t_R	μs

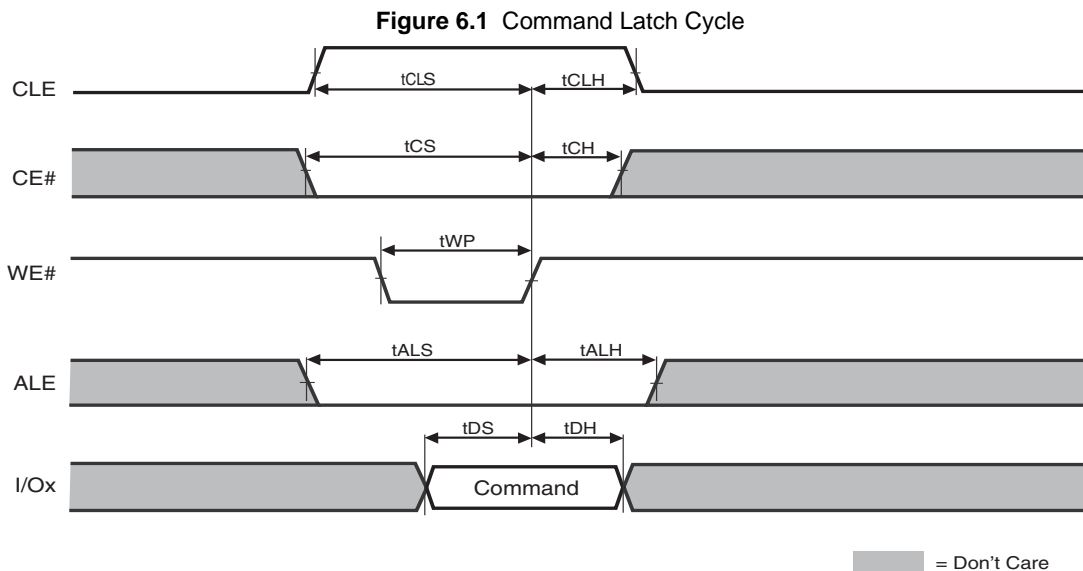
Notes:

1. Typical program time is defined as the time within which more than 50% of the whole pages are programmed ($V_{CC} = 3.3V, 25^{\circ}C$).
2. Copy Back Read and Copy Back Program for a given plane must be between odd address pages or between even address pages for the device to meet the program time (t_{PROG}) specification. Copy Back Program may not meet this specification when copying from an odd address page (source page) to an even address page (target page) or from an even address page (source page) to an odd address page (target page).

6. Timing Diagrams

6.1 Command Latch Cycle

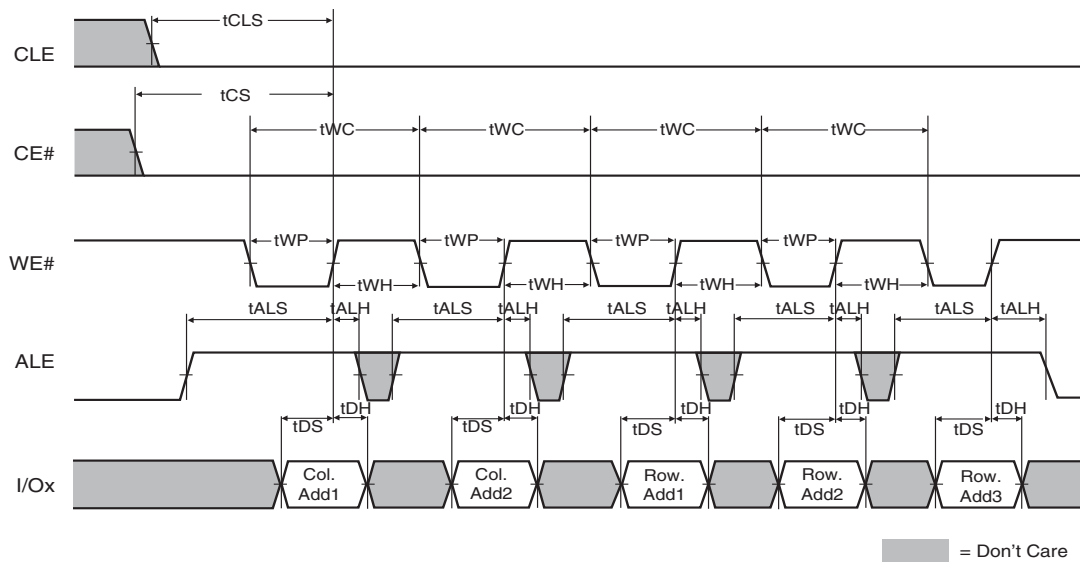
Command Input bus operation is used to give a command to the memory device. Commands are accepted with Chip Enable low, Command Latch Enable High, Address Latch Enable low, and Read Enable High and latched on the rising edge of Write Enable. Moreover for commands that starts a modify operation (write/ erase) the Write Protect pin must be high.



6.2 Address Latch Cycle

Address Input bus operation allows the insertion of the memory address. To insert the 27 (x8 Device) addresses needed to access the 1 Gb, four write cycles are needed. Addresses are accepted with Chip Enable low, Address Latch Enable High, Command Latch Enable low, and Read Enable High and latched on the rising edge of Write Enable. Moreover, for commands that start a modify operation (write/ erase) the Write Protect pin must be high.

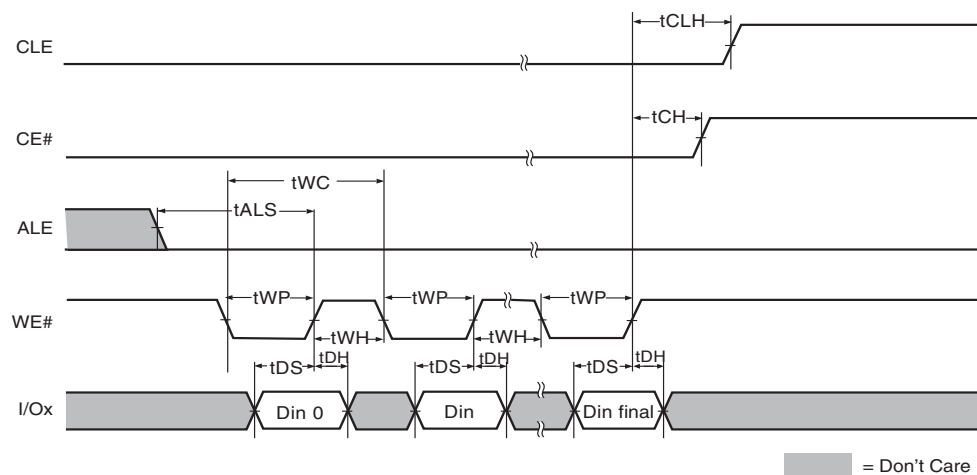
Figure 6.2 Address Latch Cycle



6.3 Data Input Cycle Timing

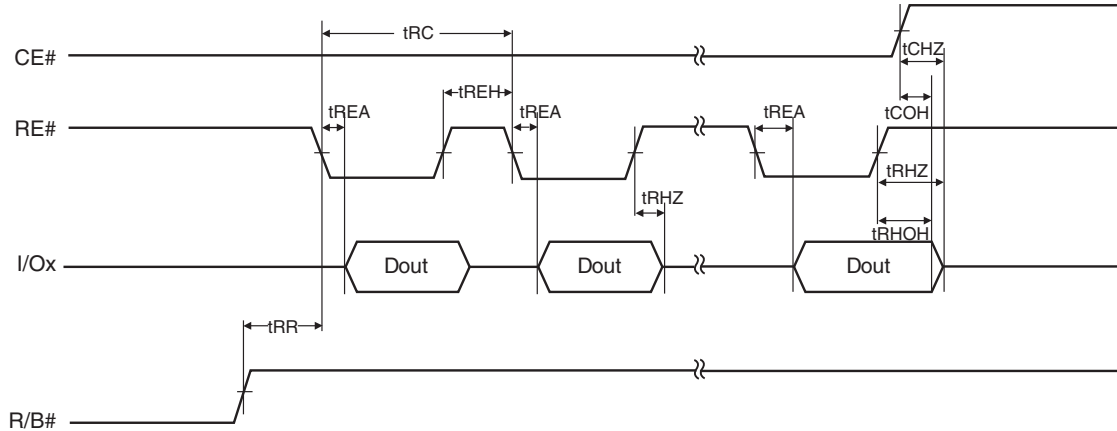
Data Input bus operation allows the data to be programmed to be sent to the device. The data insertion is serially, and timed by the Write Enable cycles. Data is accepted only with Chip Enable low, Address Latch Enable low, Command Latch Enable low, Read Enable High, and Write Protect High and latched on the rising edge of Write Enable.

Figure 6.3 Input Data Latch Cycle



6.4 Data Output Cycle Timing (CLE=L, WE#=H, ALE=L, WP#=H)

Figure 6.4 Data Output Cycle Timing

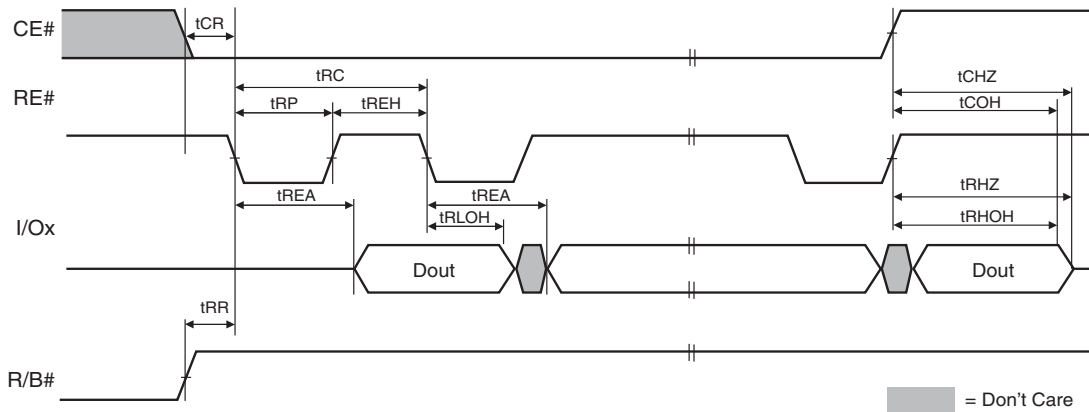


Notes:

1. Transition is measured at ± 200 mV from steady state voltage with load.
2. This parameter is sampled and not 100% tested.
3. t_{RHOH} starts to be valid when frequency is lower than 33 MHz.

6.5 Data Output Cycle Timing (EDO Type, CLE=L, WE#=H, ALE=L)

Figure 6.5 Data Output Cycle Timing (EDO)

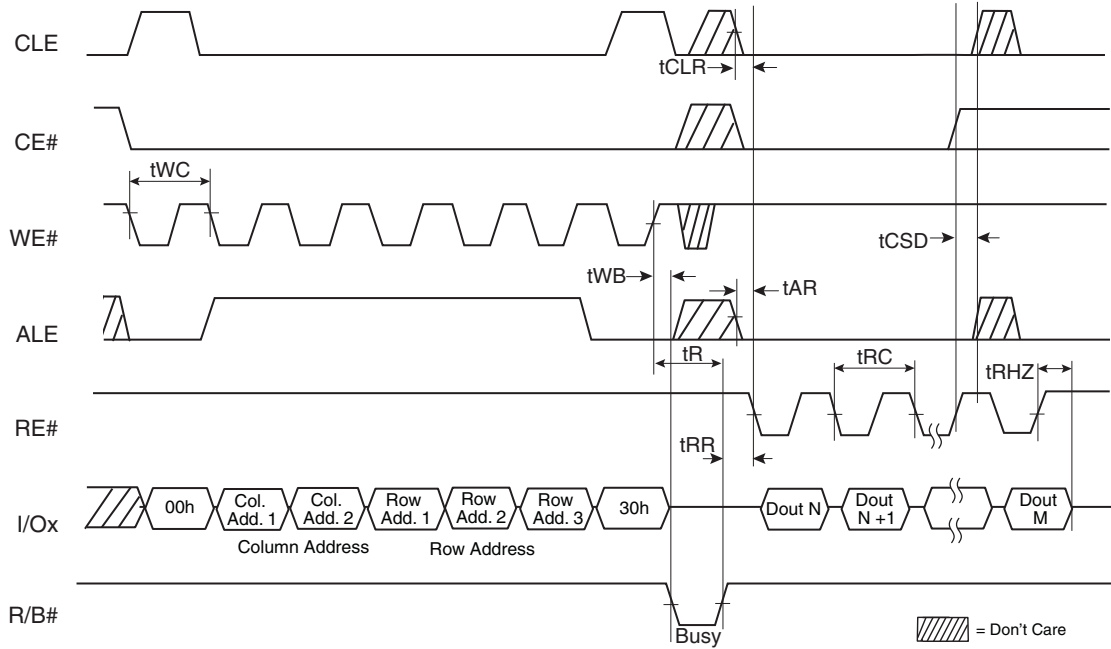


Notes:

1. Transition is measured at ± 200 mV from steady state voltage with load.
2. This parameter is sampled and not 100% tested.
3. t_{RLOH} is valid when frequency is higher than 33 MHz.
4. t_{RHOH} starts to be valid when frequency is lower than 33 MHz.

6.6 Page Read Operation

Figure 6.6 Page Read Operation (Read One Page)

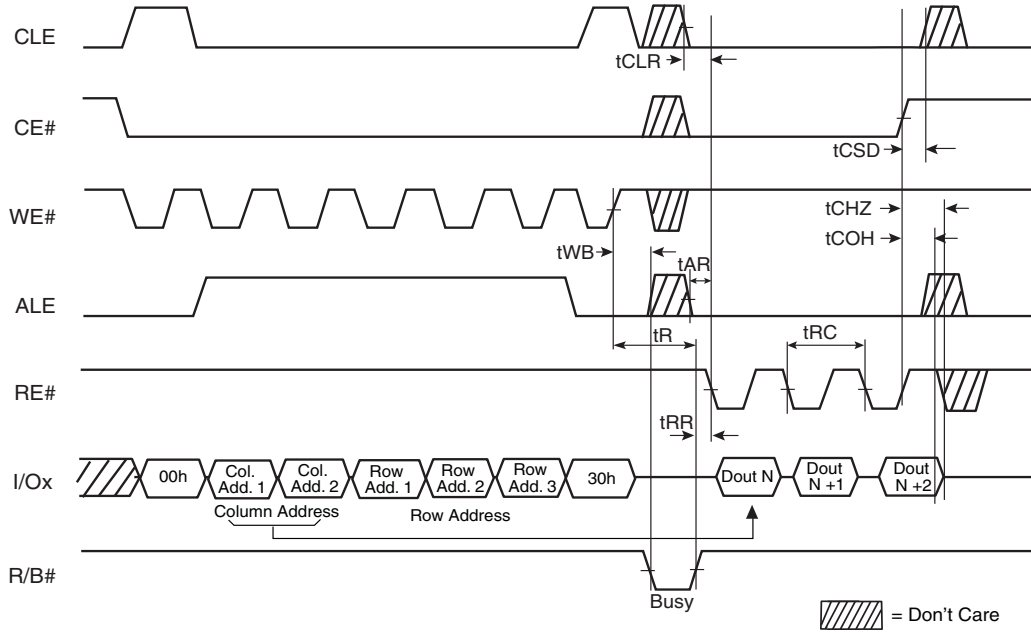


Note:

1. If Status Register polling is used to determine completion of the read operation, the Read Command (00h) must be issued before data can be read from the page buffer.

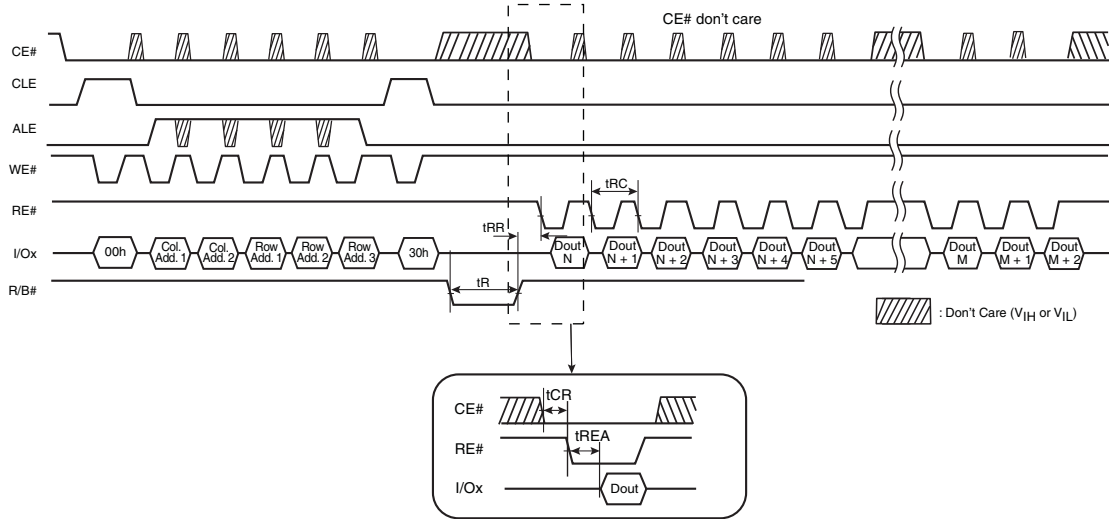
6.7 Page Read Operation (Interrupted by CE#)

Figure 6.7 Page Read Operation Interrupted by CE#



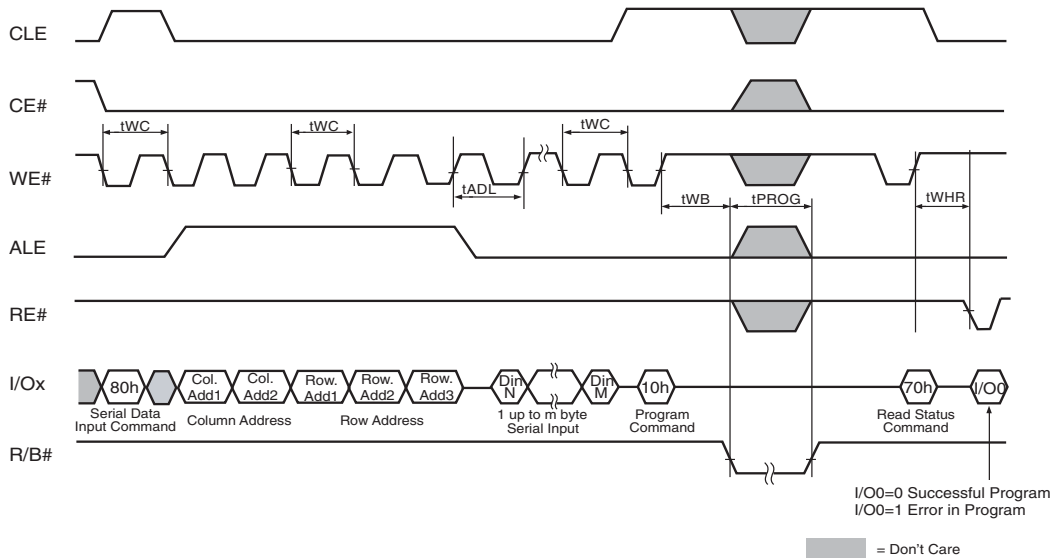
6.8 Page Read Operation Timing with CE# Don't Care

Figure 6.8 Page Read Operation Timing with CE# Don't Care



6.9 Page Program Operation

Figure 6.9 Page Program Operation

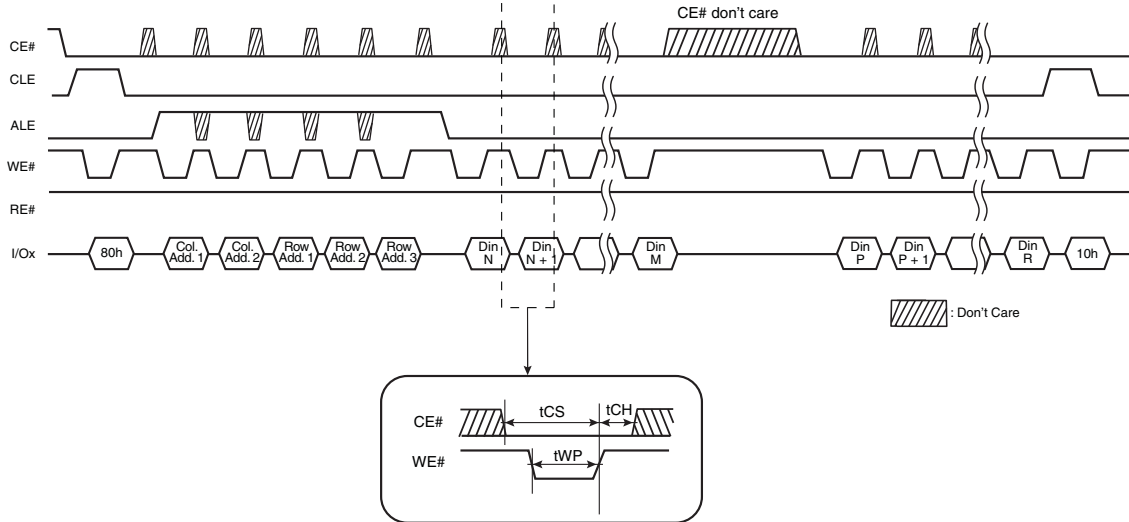


Note:

1. t_{ADL} is the time from the WE# rising edge of final address cycle to the WE# rising edge of first data cycle.

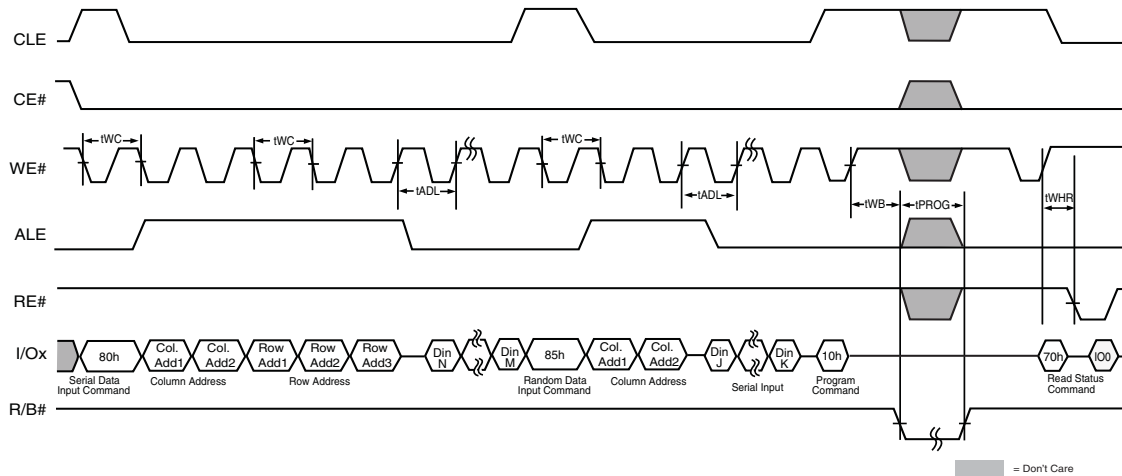
6.10 Page Program Operation Timing with CE# Don't Care

Figure 6.10 Page Program Operation Timing with CE# Don't Care



6.11 Page Program Operation with Random Data Input

Figure 6.11 Random Data Input

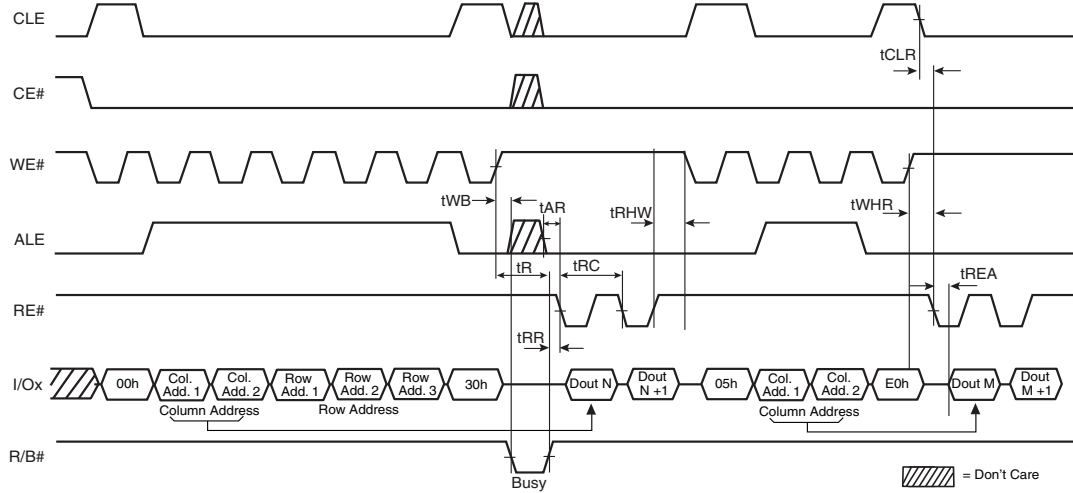


Notes:

1. t_{ADL} is the time from the WE# rising edge of final address cycle to the WE# rising edge of first data cycle.
2. For EDC operation only one Random Data Input is allowed at each EDC Unit.

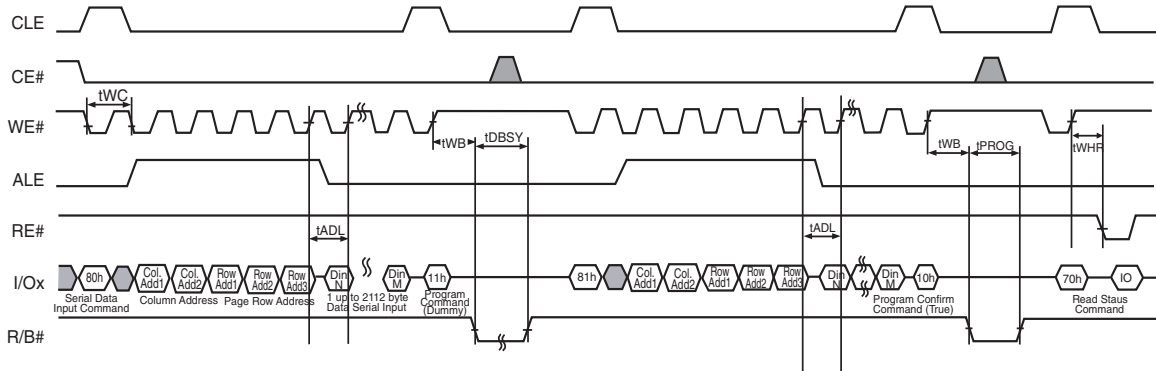
6.12 Random Data Output In a Page

Figure 6.12 Random Data Output

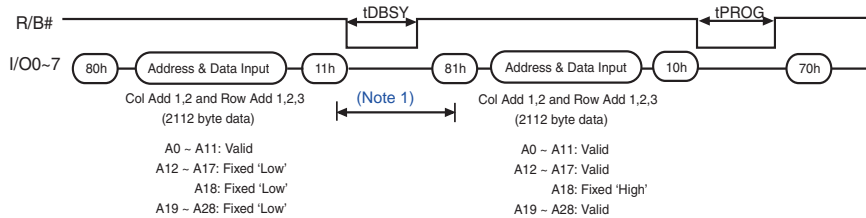


6.13 Multiplane Page Program Operation — S34ML02G1 and S34ML04G1

Figure 6.13 Multiplane Page Program



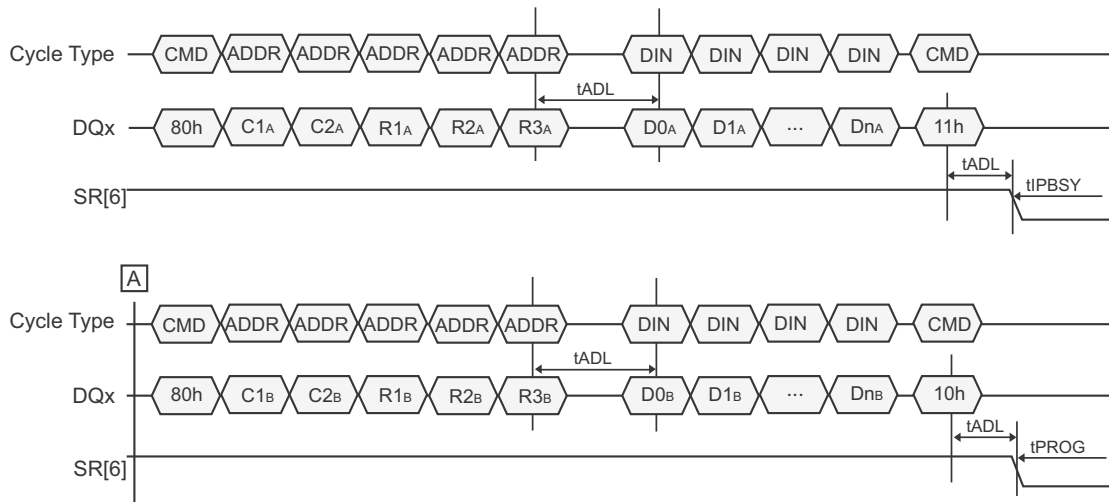
Ex.) Address Restriction for Multiplane Page Program



Notes:

- Any command between 11h and 81h is prohibited except 70h, 78h, and FFh.
- A18 is the plane address bit for x8 devices. A17 is the plane address bit for x16 devices.

Figure 6.14 Multiplane Page Program (ONFI 1.0 Protocol)

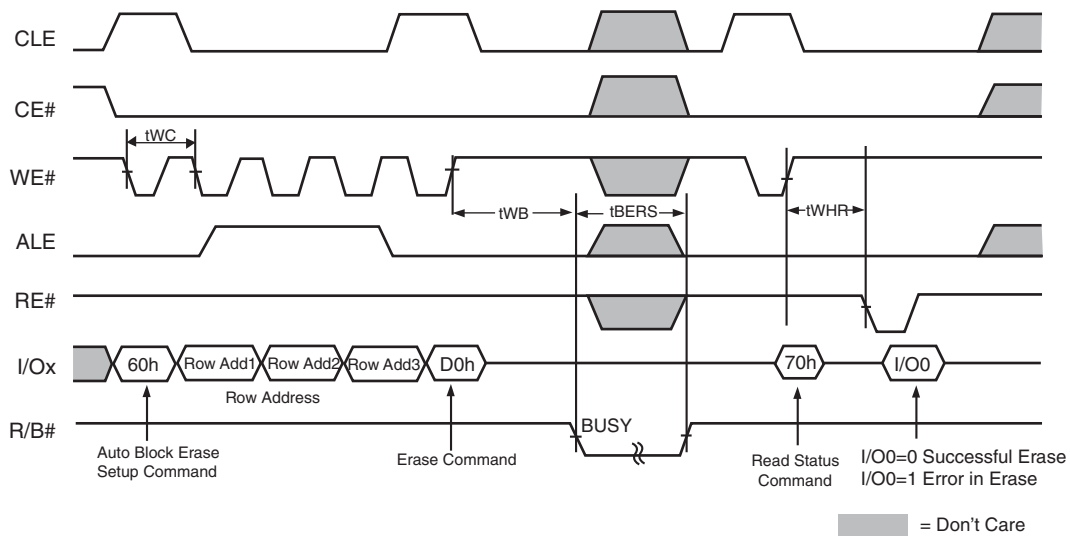


Notes:

1. C1A-C2A Column address for page A. C1A is the least significant byte.
2. R1A-R3A Row address for page A. R1A is the least significant byte.
3. D0A-DnA Data to program for page A.
4. C1B-C2B Column address for page B. C1B is the least significant byte.
5. R1B-R3B Row address for page B. R1B is the least significant byte.
6. D0B-DnB Data to program for page B.
7. The block address bits must be the same except for the bit(s) that select the plane.

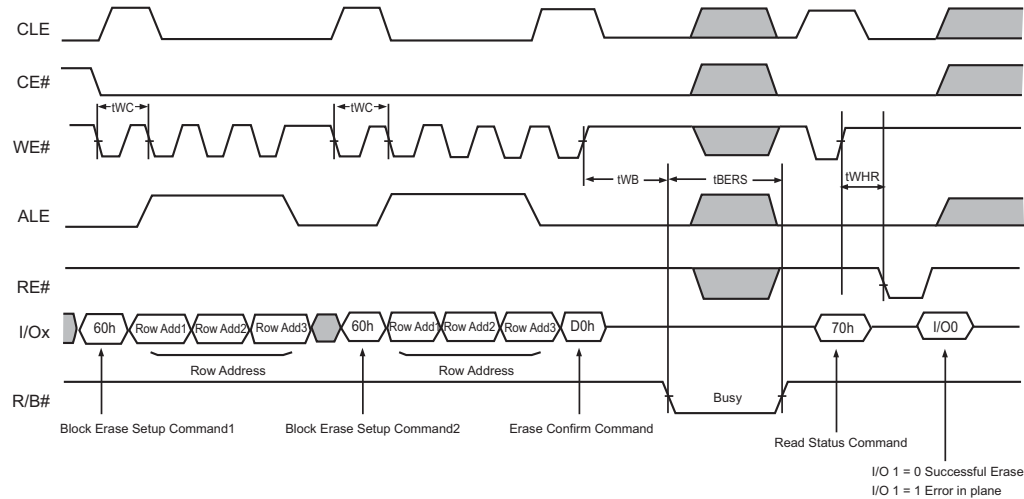
6.14 Block Erase Operation

Figure 6.15 Block Erase Operation (Erase One Block)

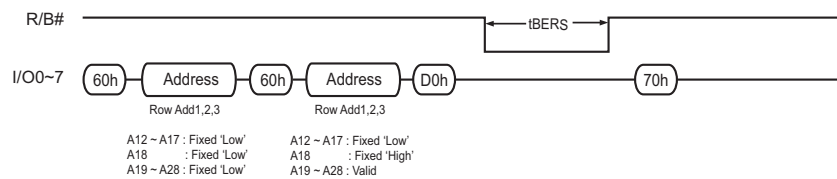


6.15 Multiplane Block Erase — S34ML02G1 and S34ML04G1

Figure 6.16 Multiplane Block Erase



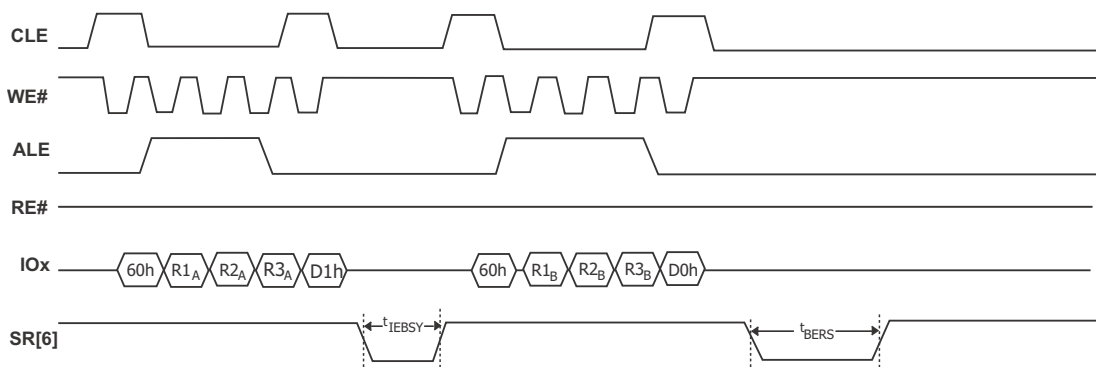
Ex.) Address Restriction for Multiplane Block Erase Operation



Note:

1. A18 is the plane address bit for x8 devices. A17 is the plane address bit for x16 devices.

Figure 6.17 Multiplane Block Erase (ONFI 1.0 Protocol)

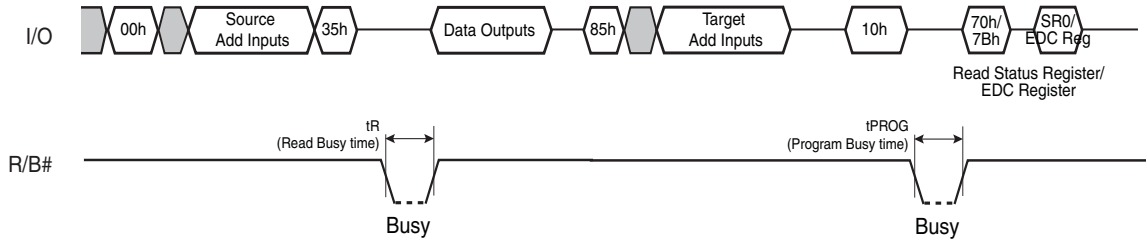


Notes:

1. R1A-R3A Row address for block on plane 0. R1A is the least significant byte.
2. R1B-R3B Row address for block on plane 1. R1B is the least significant byte.
3. The block address bits must be the same except for the bit(s) that select the plane.

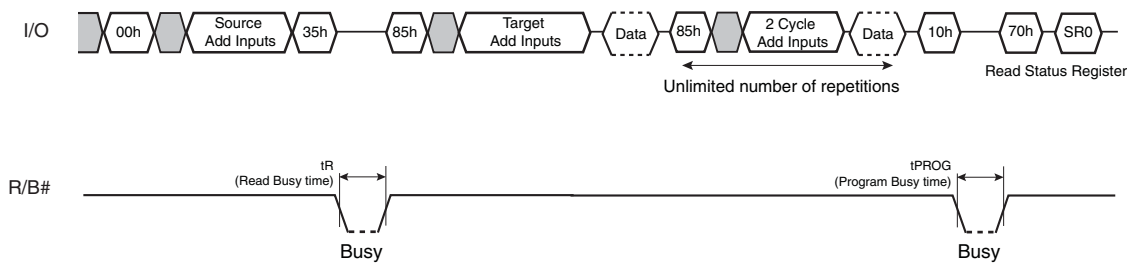
6.16 Copy Back Read with Optional Data Readout

Figure 6.18 Copy Back Read with Optional Data Readout



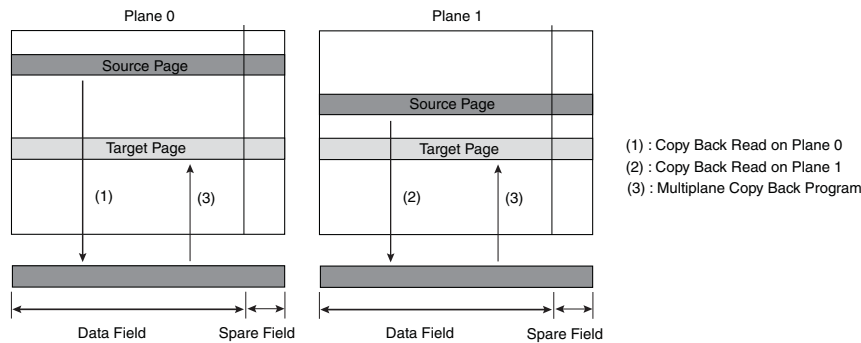
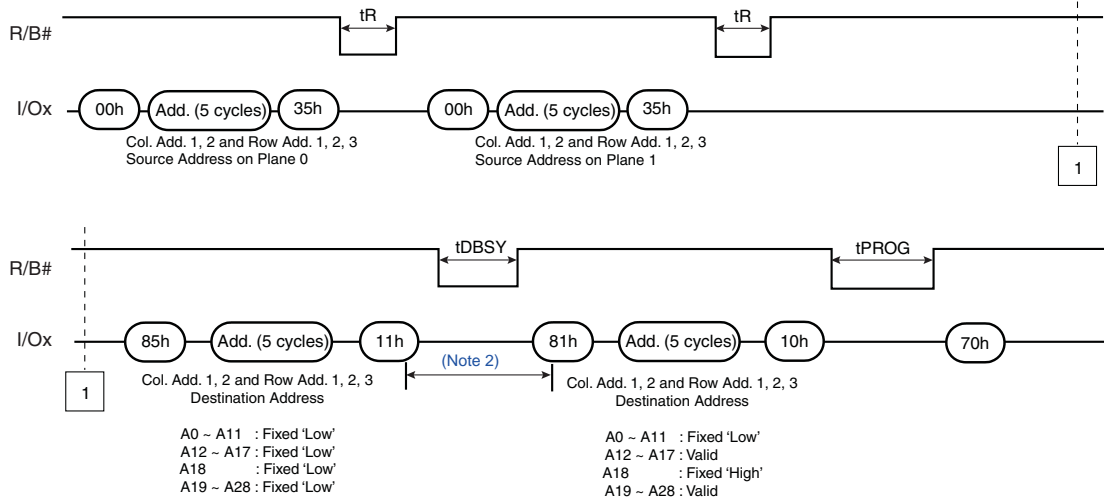
6.17 Copy Back Program Operation With Random Data Input

Figure 6.19 Copy Back Program with Random Data Input



6.18 Multiplane Copy Back Program — S34ML02G1 and S34ML04G1

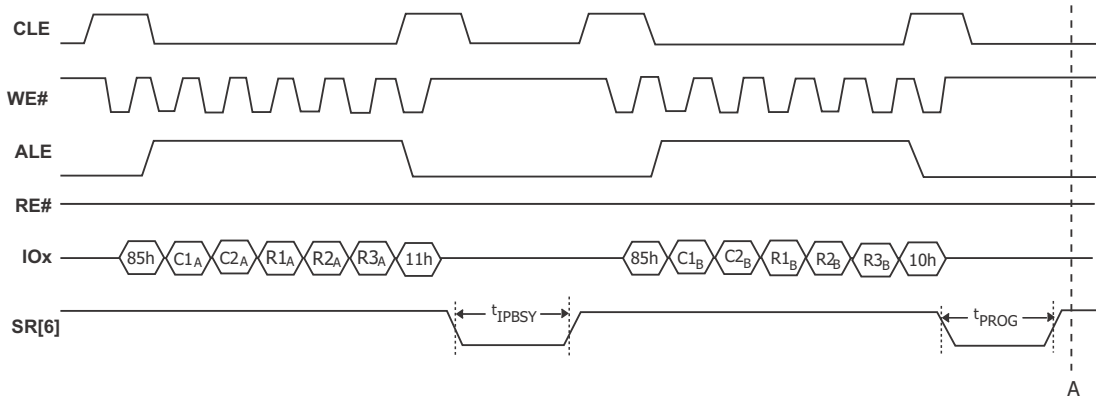
Figure 6.20 Multiplane Copy Back Program



Notes:

1. Copy Back Program operation is allowed only within the same memory plane.
2. Any command between 11h and 81h is prohibited except 70h, 78h, and FFh.
3. A18 is the plane address bit for x8 devices. A17 is the plane address bit for x16 devices.

Figure 6.21 Multiplane Copy Back Program (ONFI 1.0 Protocol)

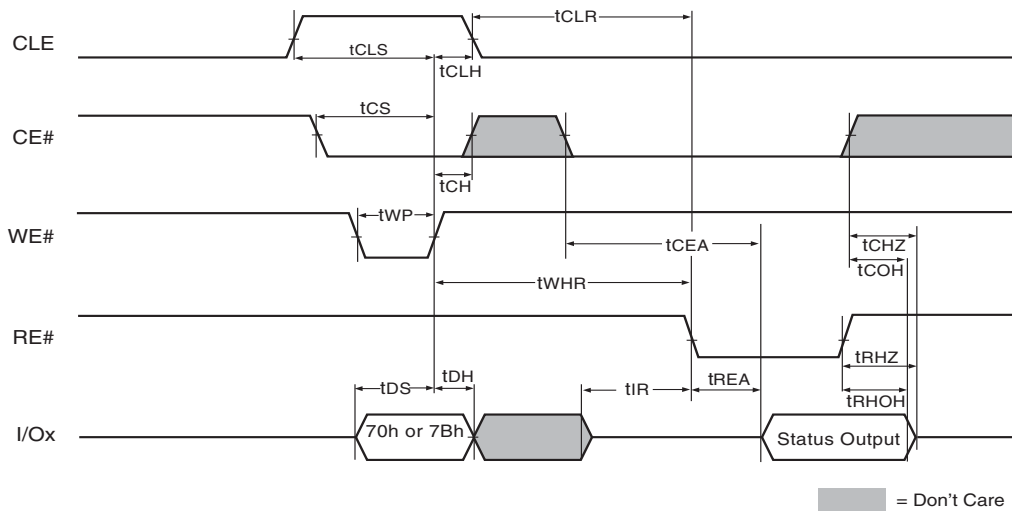


Notes:

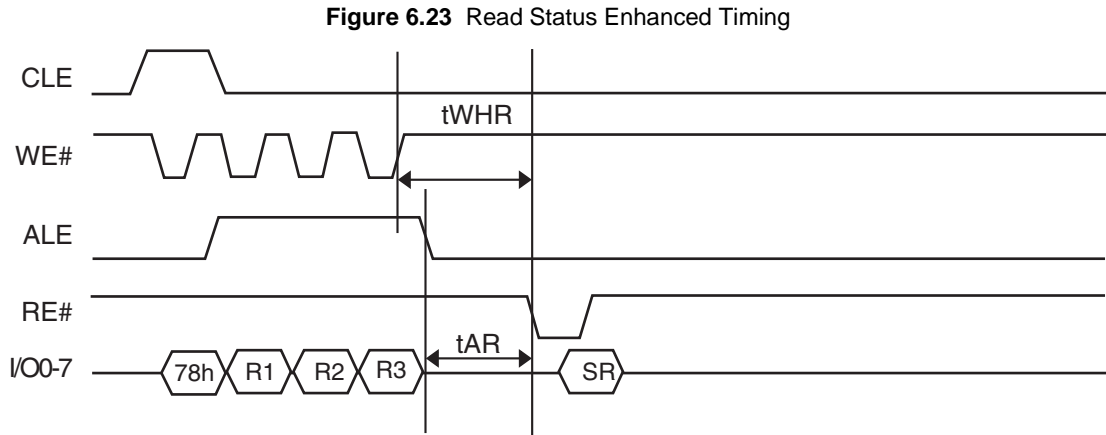
1. C1A-C2A Column address for page A. C1A is the least significant byte.
2. R1A-R3A Row address for page A. R1A is the least significant byte.
3. C1B-C2B Column address for page B. C1B is the least significant byte.
4. R1B-R3B Row address for page B. R1B is the least significant byte.
5. The block address bits must be the same except for the bit(s) that select the plane.

6.19 Read Status Register Timing

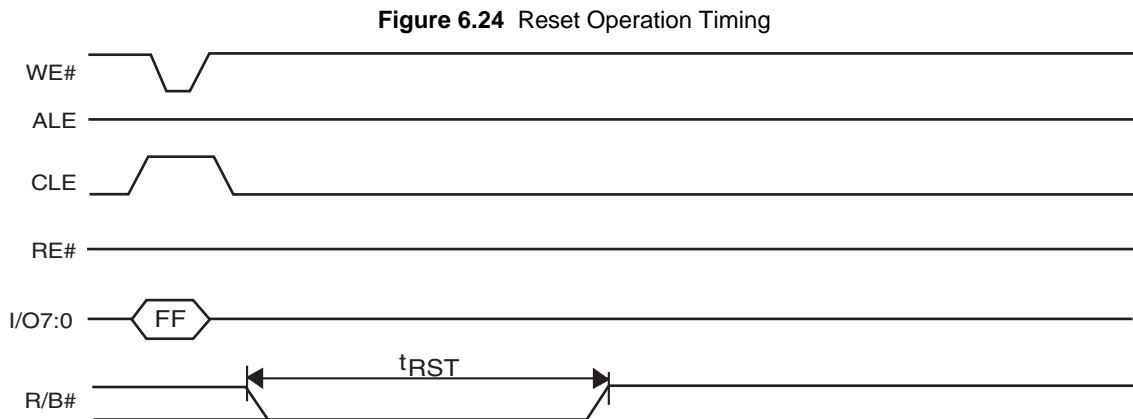
Figure 6.22 Status / EDC Read Cycle



6.20 Read Status Enhanced Timing



6.21 Reset Operation Timing



6.22 Read Cache

Figure 6.25 Read Cache Operation Timing

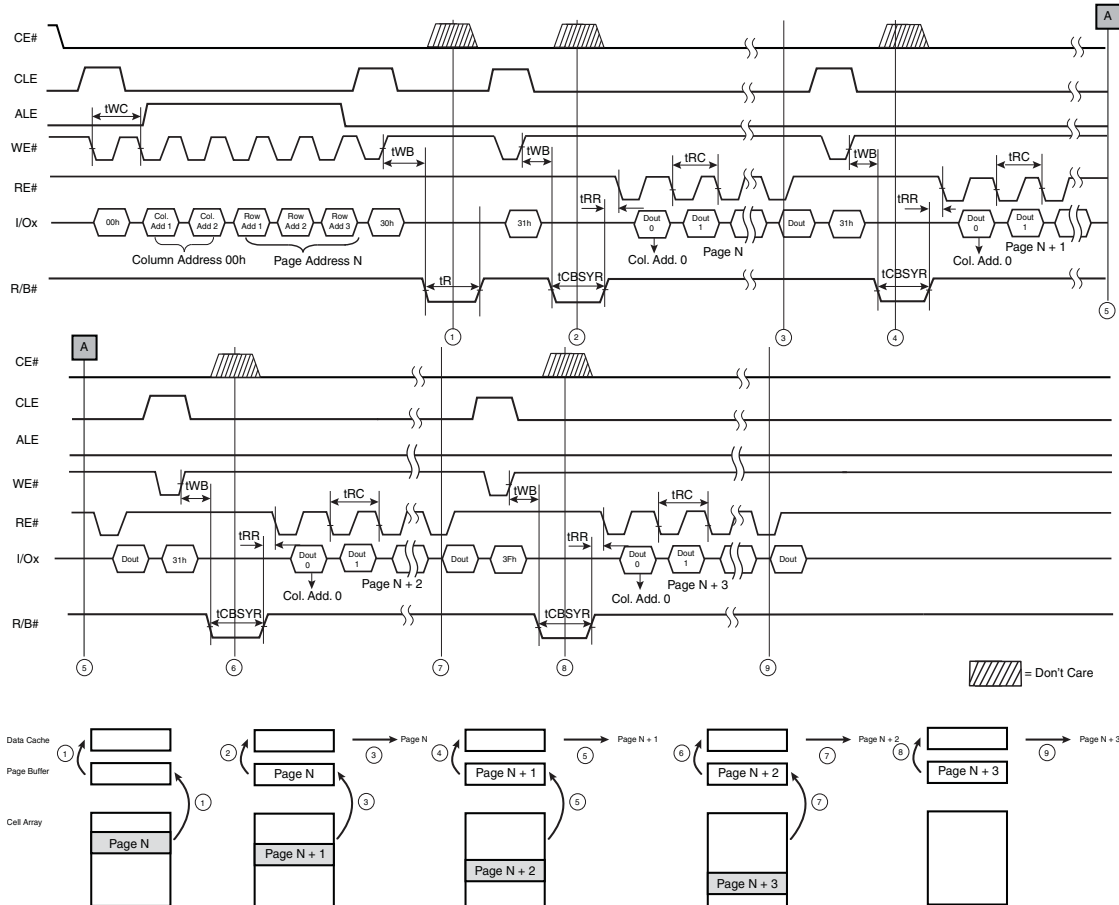


Figure 6.26 “Sequential” Read Cache Timing, Start (and Continuation) of Cache Operation

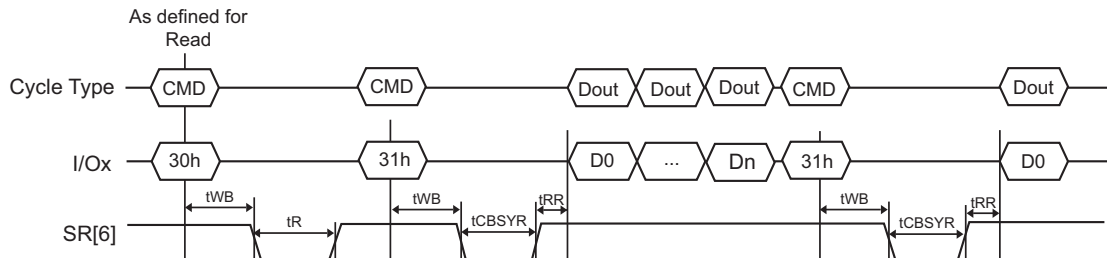


Figure 6.27 “Random” Read Cache Timing, Start (and Continuation) of Cache Operation

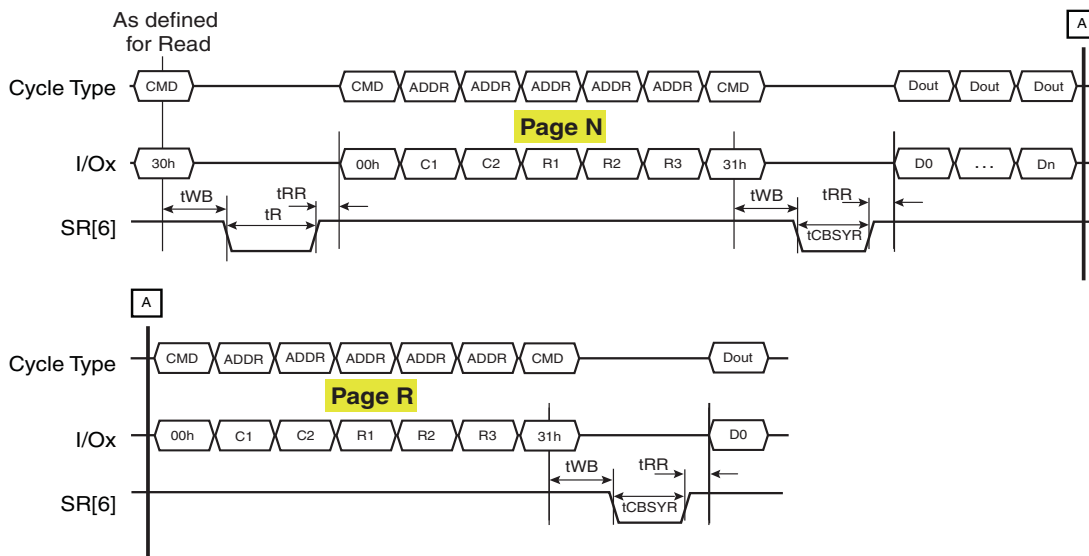
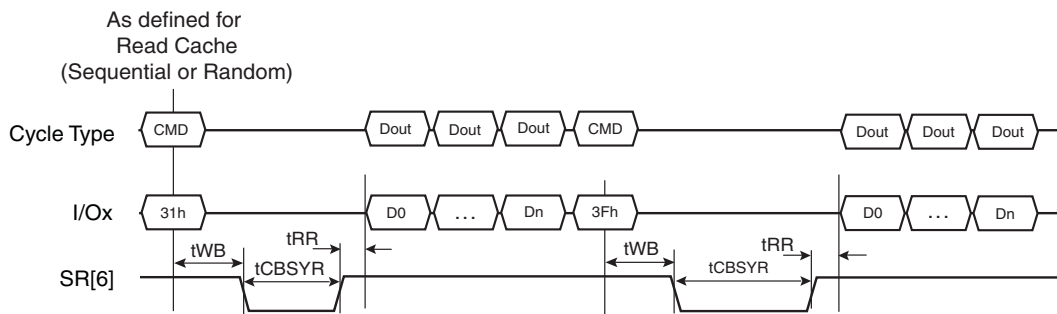
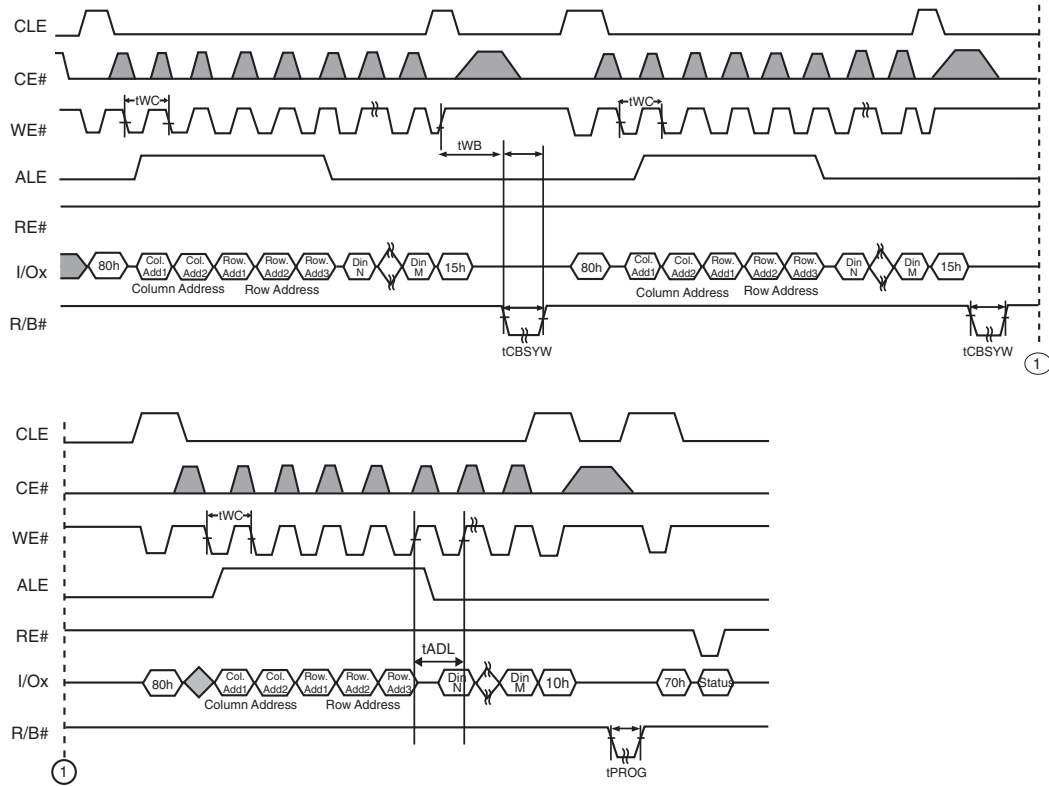


Figure 6.28 Read Cache Timing, End Of Cache Operation



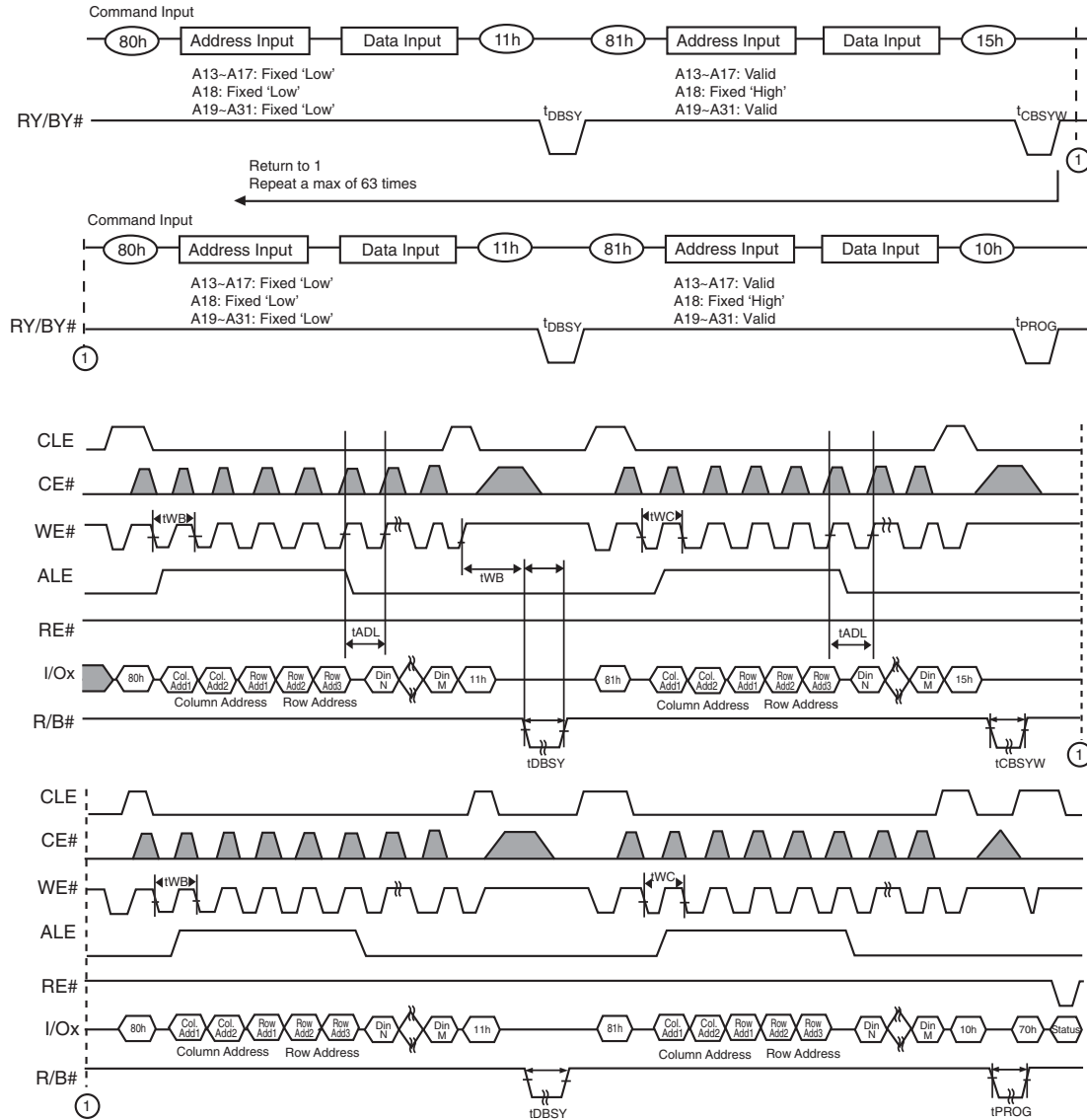
6.23 Cache Program

Figure 6.29 Cache Program



6.24 Multiplane Cache Program — S34ML02G1 and S34ML04G1

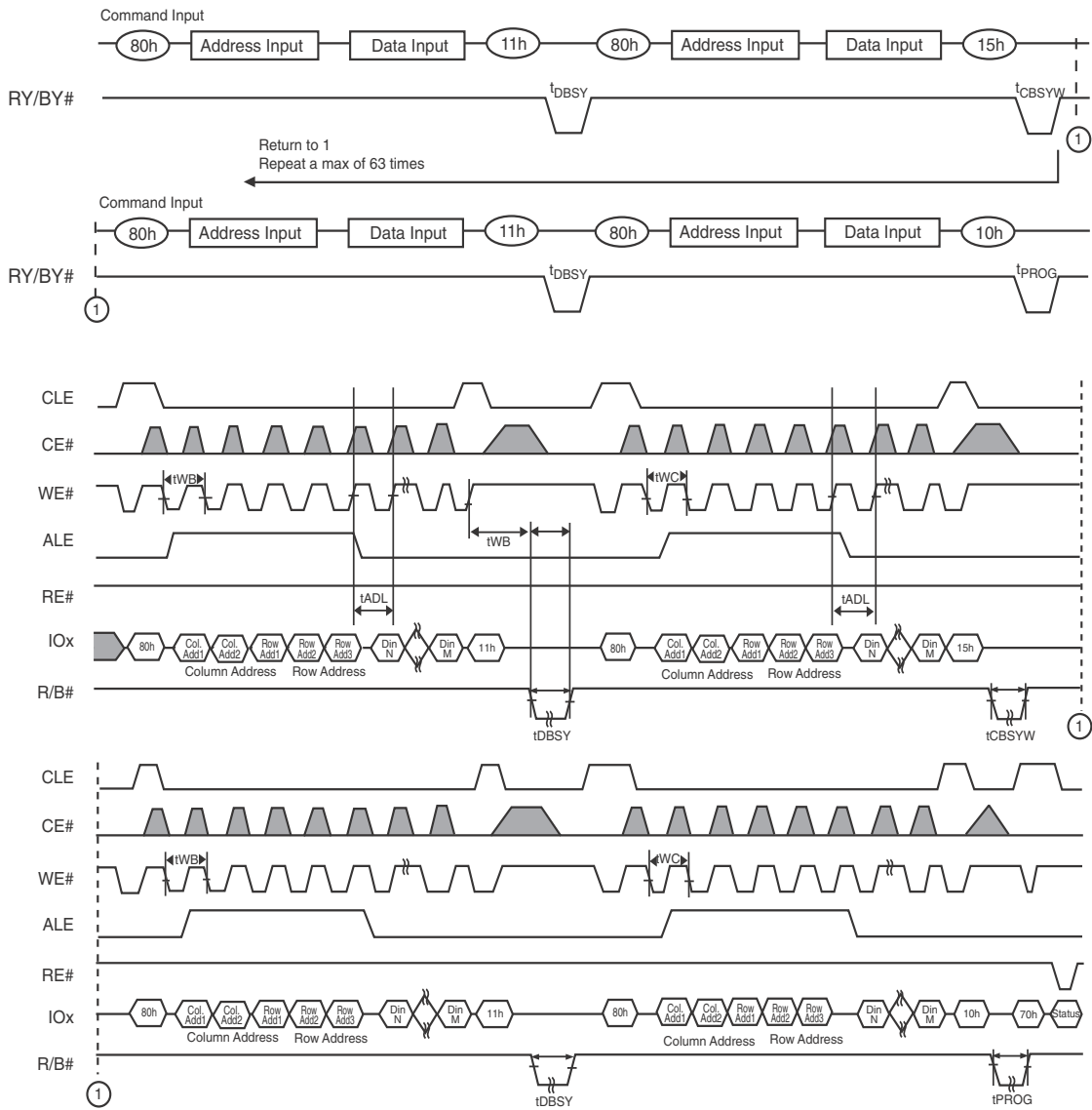
Figure 6.30 Multiplane Cache Program



Notes:

1. Read Status Register (70h) is used in the figure. Read Status Enhanced (78h) can be also used.
2. A18 is the plane address bit for x8 devices. A17 is the plane address bit for x16 devices.

Figure 6.31 Multiplane Cache Program (ONFI 1.0 Protocol)

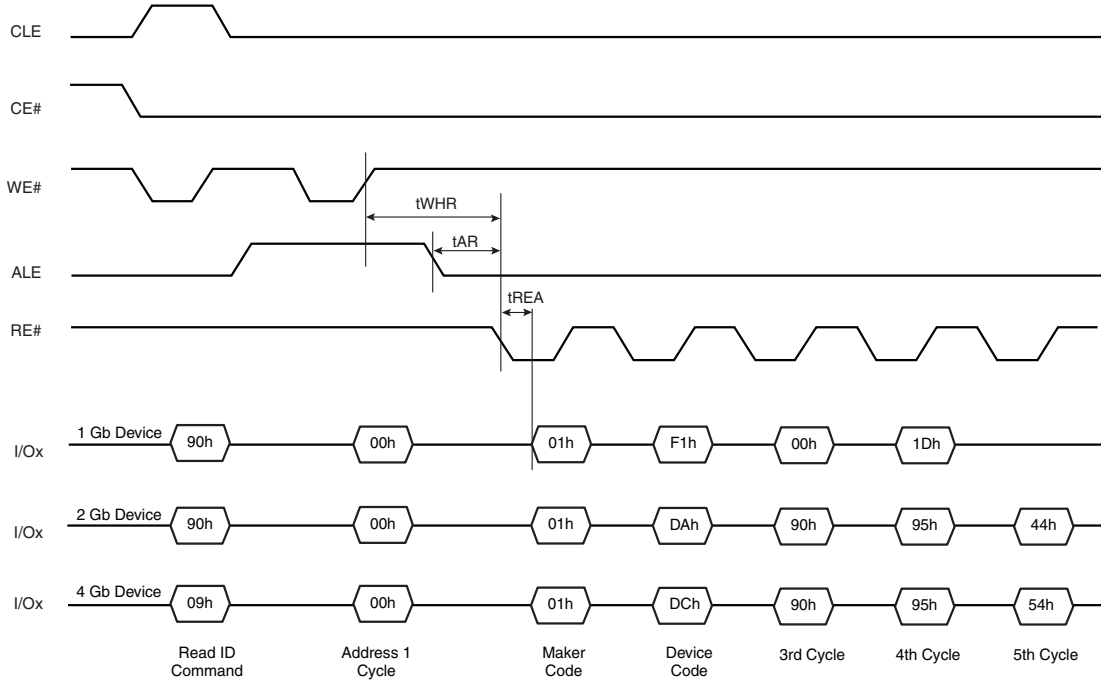


Notes:

1. The block address bits must be the same except for the bit(s) that select the plane.
2. Read Status register (70h) is used in the figure. Read Status Enhanced (78h) can be also used.

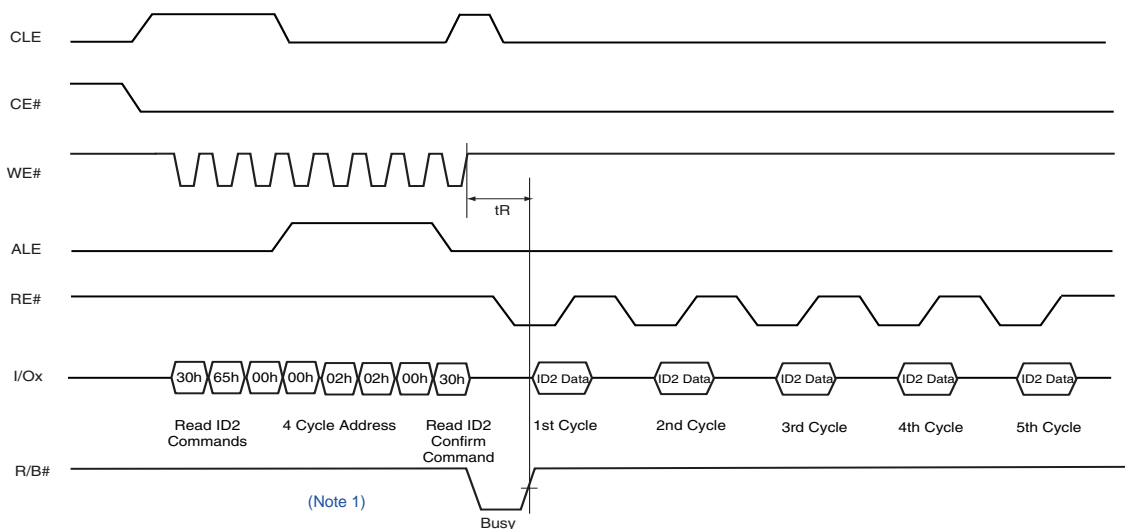
6.25 Read ID Operation Timing

Figure 6.32 Read ID Operation Timing



6.26 Read ID2 Operation Timing

Figure 6.33 Read ID2 Operation Timing

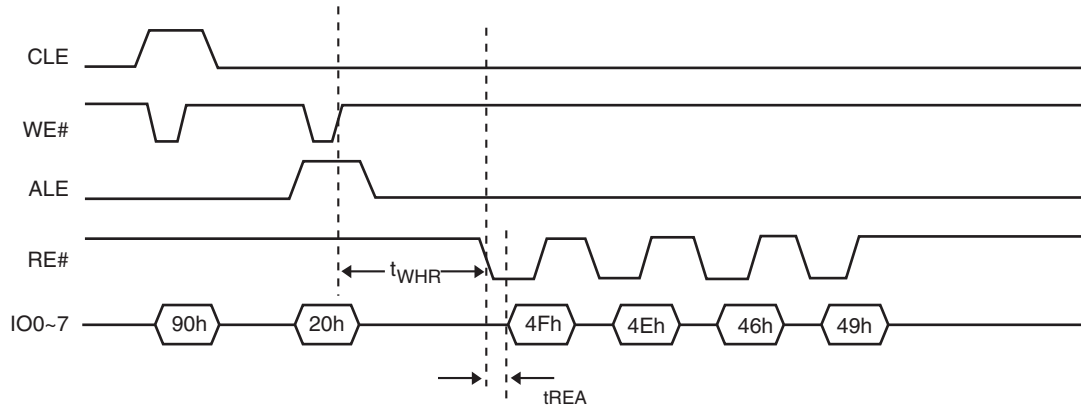


Notes:

1. 4-cycle address is shown for the S34ML01G1. For S34ML02G1 and S34ML04G1, insert an additional address cycle of 00h.
2. If Status Register polling is used to determine completion of the Read ID2 operation, the Read Command (00h) must be issued before ID2 data can be read from the flash.

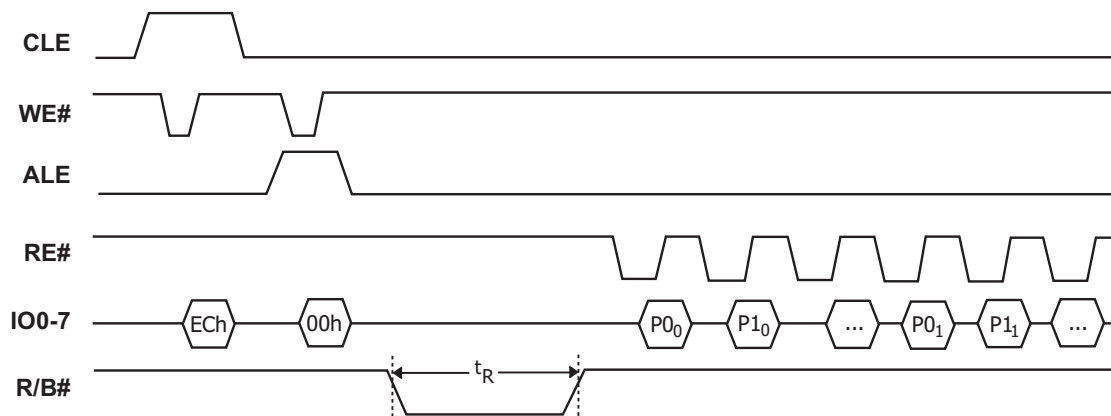
6.27 Read ONFI Signature Timing

Figure 6.34 ONFI Signature Timing



6.28 Read Parameter Page Timing

Figure 6.35 Read Parameter Page Timing

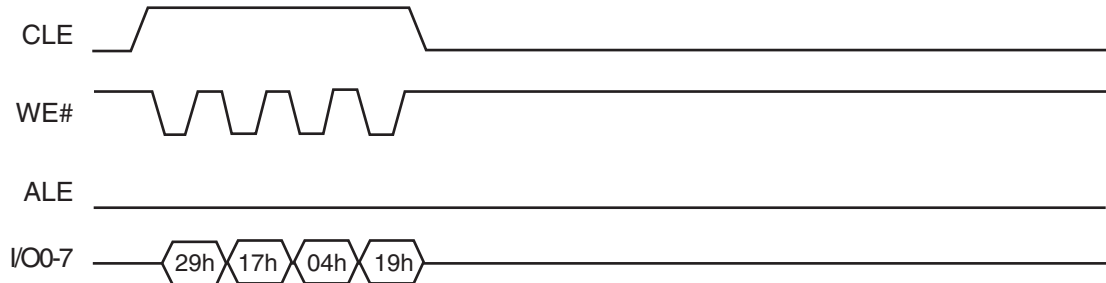


Note:

1. If Status Register polling is used to determine completion of the read operation, the Read Command (00h) must be issued before data can be read from the page buffer.

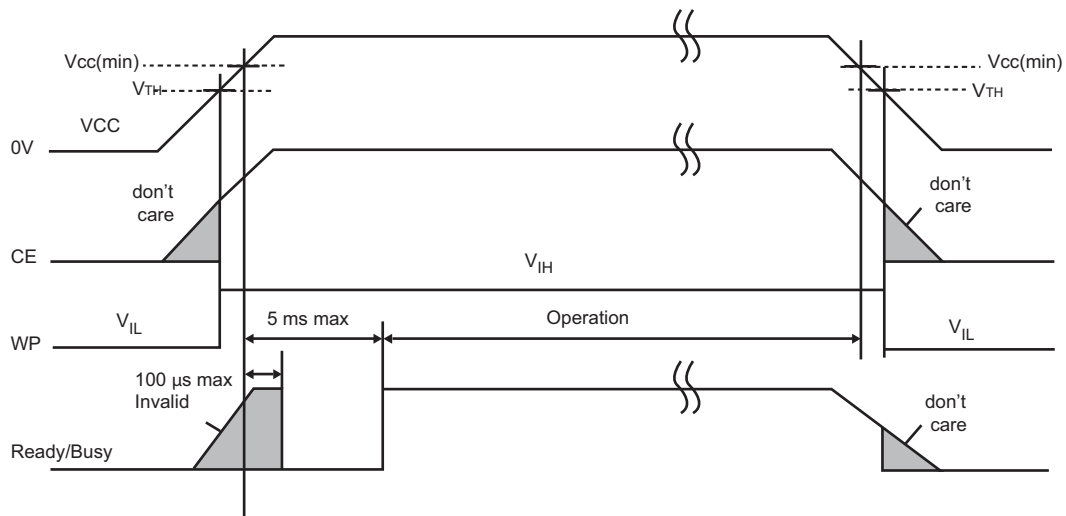
6.29 OTP Entry Timing

Figure 6.36 OTP Entry Timing



6.30 Power On and Data Protection Timing

Figure 6.37 Power On and Data Protection Timing



Note:
1. $V_{TH} = 1.8$ Volts.

6.31 WP# Handling

Figure 6.38 Program Enabling / Disabling Through WP# Handling

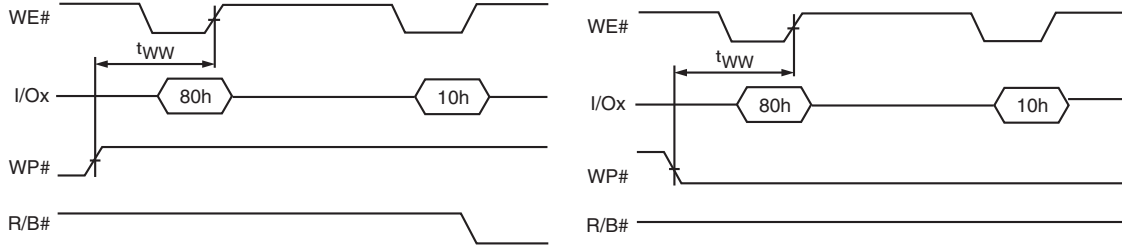
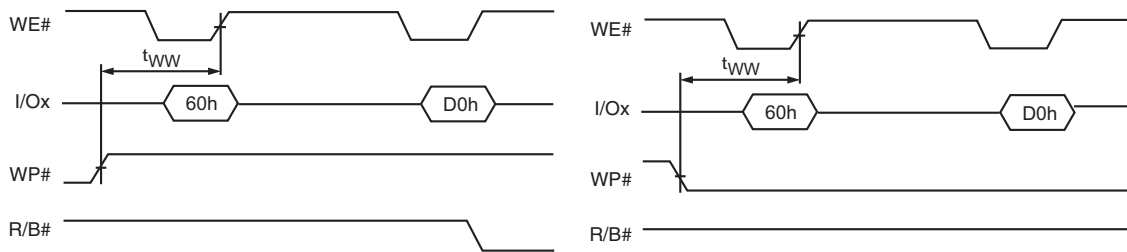


Figure 6.39 Erase Enabling / Disabling Through WP# Handling

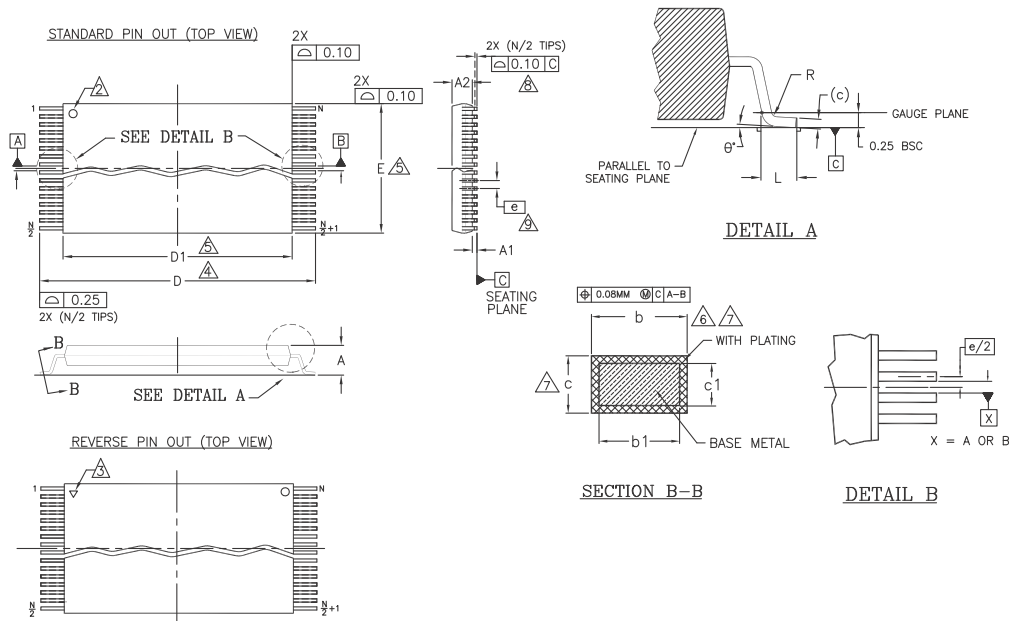


7. Physical Interface

7.1 Physical Diagram

7.1.1 48-Pin Thin Small Outline Package (TSOP1)

Figure 7.1 TS/TSR 48 — 48-lead Plastic Thin Small Outline, 12 x 20 mm, Package Outline



PACKAGE	TS/TSR 48		
JEDEC	MO-142 (D) DD		
SYMBOL	MIN	NOM	MAX
A	---	---	1.20
A1	0.05	---	0.15
A2	0.95	1.00	1.05
b1	0.17	0.20	0.23
b	0.17	0.22	0.27
c	0.10	---	0.21
D	19.80	20.00	20.20
D1	18.30	18.40	18.50
E	11.90	12.00	12.10
e	0.50 BASIC		
L	0.50	0.60	0.70
θ	0°	---	8
R	0.08	---	0.20
N	48		

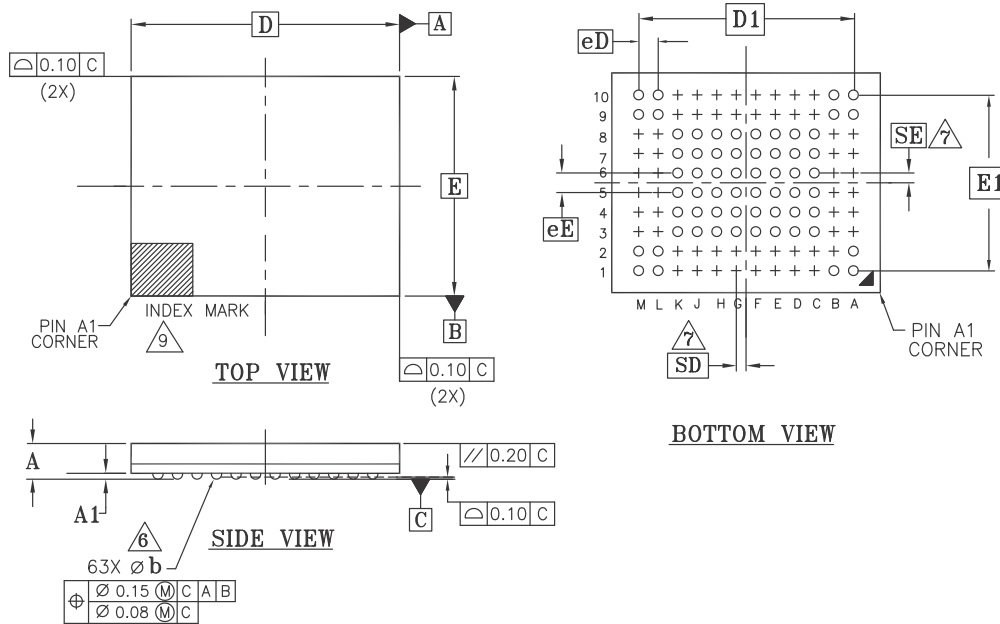
NOTES:

1. DIMENSIONS ARE IN MILLIMETERS (mm). (DIMENSIONING AND TOLERANCING CONFORM TO ANSI Y14.5M-1994).
2. PIN 1 IDENTIFIER FOR STANDARD PIN OUT (DIE UP).
3. PIN 1 IDENTIFIER FOR REVERSE PIN OUT (DIE DOWN); INK OR LASER MARK.
4. TO BE DETERMINED AT THE SEATING PLANE [C], THE SEATING PLANE IS DEFINED AS THE PLANE OF CONTACT THAT IS MADE WHEN THE PACKAGE LEADS ARE ALLOWED TO REST FREELY ON A FLAT HORIZONTAL SURFACE.
5. DIMENSIONS D1 AND E DO NOT INCLUDE MOLD PROTRUSION. ALLOWABLE MOLD PROTRUSION ON E IS 0.15mm PER SIDE AND ON D1 IS 0.25mm PER SIDE.
6. DIMENSION b DOES NOT INCLUDE DAMBAR PROTRUSION. ALLOWABLE DAMBAR PROTRUSION SHALL BE 0.08mm TOTAL IN EXCESS OF b DIMENSION AT MAX. MATERIAL CONDITION. DAMBAR CANNOT BE LOCATED ON LOWER RADIUS OR THE FOOT. MINIMUM SPACE BETWEEN PROTRUSION AND AN ADJACENT LEAD TO BE 0.07mm.
7. THESE DIMENSIONS APPLY TO THE FLAT SECTION OF THE LEAD BETWEEN 0.10mm AND 0.25mm FROM THE LEAD TIP.
8. LEAD COPLANARITY SHALL BE WITHIN 0.10mm AS MEASURED FROM THE SEATING PLANE.
9. DIMENSION "e" IS MEASURED AT THE CENTERLINE OF THE LEADS.

5006 \f16-038 \6.5.13

7.1.2 63-Pin Ball Grid Array (BGA)

Figure 7.2 VBM063 — 63-Pin BGA, 11 mm x 9 mm Package



PACKAGE	VBM 063			NOTE
JEDEC	MO-207(M)			
	11.00 mm x 9.00 mm NOM PACKAGE			
SYMBOL	MIN	NOM	MAX	NOTE
A	---	---	1.00	PROFILE
A1	0.25	---	---	BALL HEIGHT
D	11.00 BSC.			BODY SIZE
E	9.00 BSC.			BODY SIZE
D1	8.80 BSC.			MATRIX FOOTPRINT
E1	7.20 BSC.			MATRIX FOOTPRINT
MD	12			MATRIX SIZE D DIRECTION
ME	10			MATRIX SIZE E DIRECTION
n	63			BALL COUNT
ø b	0.40	0.45	0.50	BALL DIAMETER
eE	0.80 BSC.			BALL PITCH
eD	0.80 BSC.			BALL PITCH
SD	0.40 BSC.			SOLDER BALL PLACEMENT
SE	0.40 BSC.			SOLDER BALL PLACEMENT
	A3-A8, B2-B8, C1, C2, C9, C10, D1, D2, D9, D10, E1, E2, E9, E10, F1, F2, F9, F10, G1, G2, G9, G10, H1, H2, H9, H10, J1, J2, J9, J10, K1, K2, K9, K10, L3-L8, M3-M8			DEPOPULATED SOLDER BALLS

NOTES:

- DIMENSIONING AND TOLERANCING METHODS PER ASME Y14.5M-1994.
- ALL DIMENSIONS ARE IN MILLIMETERS.
- BALL POSITION DESIGNATION PER JEP95, SECTION 3, SPP-020.
- [e] REPRESENTS THE SOLDER BALL GRID PITCH.
- SYMBOL "MD" IS THE BALL MATRIX SIZE IN THE "D" DIRECTION.
SYMBOL "ME" IS THE BALL MATRIX SIZE IN THE "E" DIRECTION.
n IS THE TOTAL NUMBER OF POPULATED SOLDER BALL POSITIONS FOR MATRIX SIZE MD X ME.
- [6] DIMENSION "b" IS MEASURED AT THE MAXIMUM BALL DIAMETER IN A PLANE PARALLEL TO DATUM C.
- [7] "SD" AND "SE" ARE MEASURED WITH RESPECT TO DATUMS A AND B AND DEFINE THE POSITION OF THE CENTER SOLDER BALL IN THE OUTER ROW.
WHEN THERE IS AN ODD NUMBER OF SOLDER BALLS IN THE OUTER ROW "SD" OR "SE" = 0.
WHEN THERE IS AN EVEN NUMBER OF SOLDER BALLS IN THE OUTER ROW, "SD" = eD/2 AND "SE" = eE/2.
- "*" INDICATES THE THEORETICAL CENTER OF DEPOPULATED BALLS.
- [9] A1 CORNER TO BE IDENTIFIED BY CHAMFER, LASER OR INK MARK, METALLIZED MARK INDENTATION OR OTHER MEANS.

g5011\16-038.25\6.5.13

8. System Interface

To simplify system interface, CE# may be unasserted during data loading or sequential data reading as shown in [Figure 8.1](#). By operating in this way, it is possible to connect NAND flash to a microprocessor.

Figure 8.1 Program Operation with CE# Don't Care

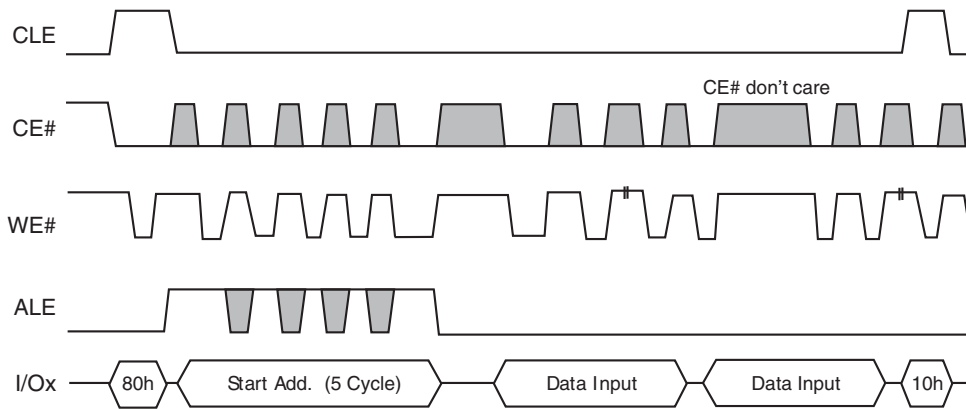


Figure 8.2 Read Operation with CE# Don't Care

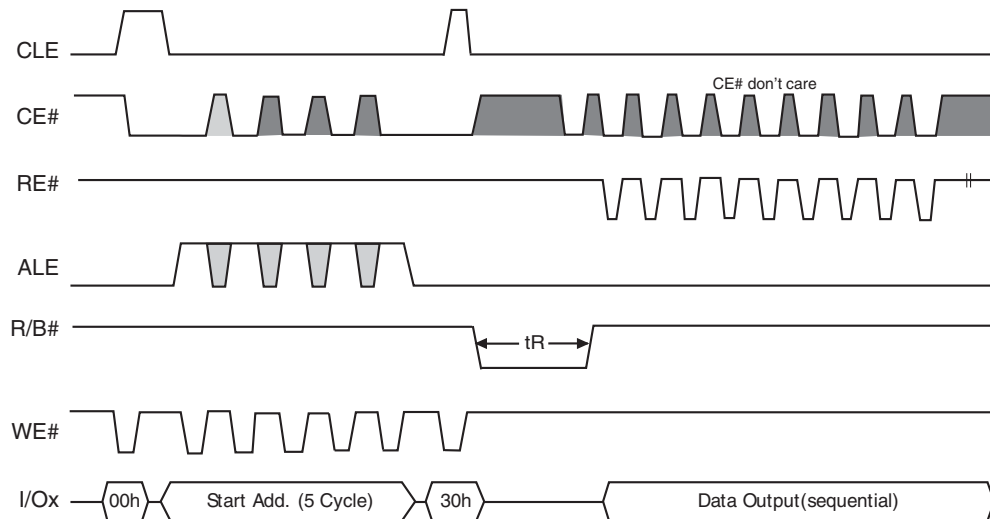
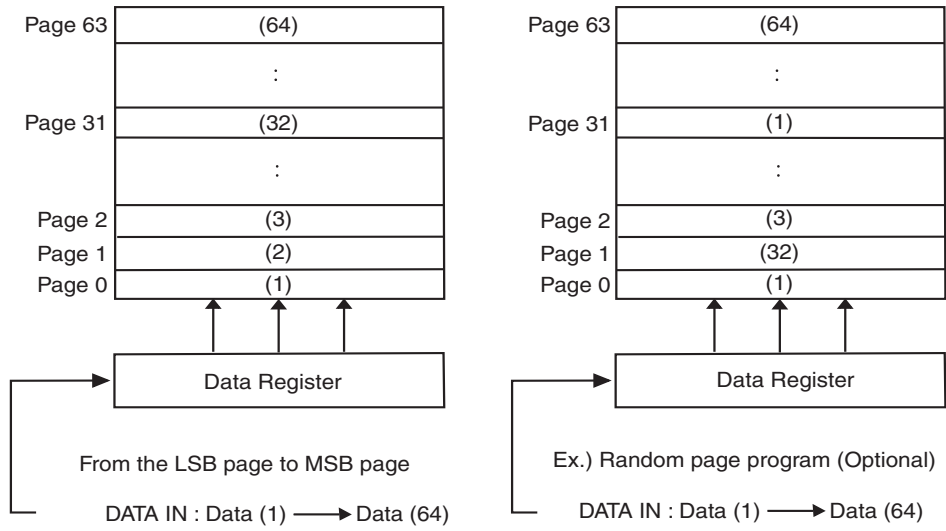


Figure 8.3 Page Programming Within a Block



9. Error Management

9.1 System Bad Block Replacement

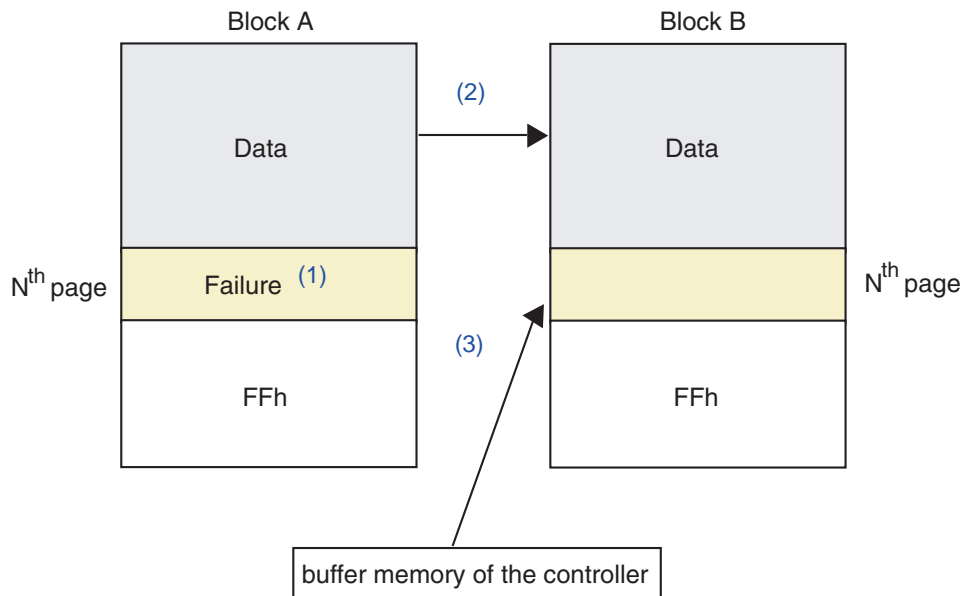
Over the lifetime of the device, additional Bad Blocks may develop. In this case, each bad block has to be replaced by copying any valid data to a new block. These additional Bad Blocks can be identified whenever a program or erase operation reports “Fail” in the Status Register.

The failure of a page program operation does not affect the data in other pages in the same block, thus the block can be replaced by re-programming the current data and copying the rest of the replaced block to an available valid block. Refer to [Table 9.1](#) and [Figure 9.1](#) for the recommended procedure to follow if an error occurs during an operation.

Table 9.1 Block Failure

Operation	Recommended Procedure
Erase	Block Replacement
Program	Block Replacement
Read	ECC (1 bit / 512+16 byte)

Figure 9.1 Bad Block Replacement



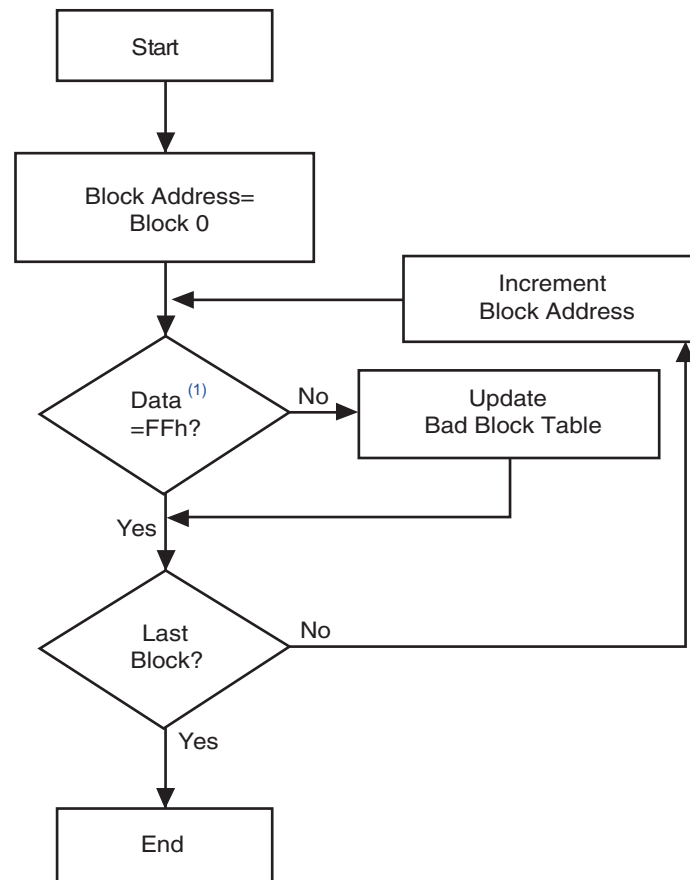
Notes:

1. An error occurs on the Nth page of Block A during a program operation.
2. Data in Block A is copied to the same location in Block B, which is a valid block.
3. The Nth page of block A, which is in controller buffer memory, is copied into the Nth page of Block B.
4. Bad block table should be updated to prevent from erasing or programming Block A.

9.2 Bad Block Management

Devices with Bad Blocks have the same quality level and the same AC and DC characteristics as devices where all the blocks are valid. A Bad Block does not affect the performance of valid blocks because it is isolated from the bit line and common source line by a select transistor. The devices are supplied with all the locations inside valid blocks erased (FFh). The Bad Block Information is written prior to shipping. Any block where the 1st byte in the spare area of the 1st or 2nd or last page does not contain FFh is a Bad Block. That is, if the first page has an FF value and should have been a non-FF value, then the non-FF value in the second page or the last page will indicate a bad block. The Bad Block Information must be read before any erase is attempted, as the Bad Block Information may be erased. For the system to be able to recognize the Bad Blocks based on the original information, it is recommended to create a Bad Block table following the flowchart shown in Figure 9.2. The host is responsible to detect and track bad blocks, both factory bad blocks and blocks that may go bad during operation. Once a block is found to be bad, data should not be written to that block. The 1st block, which is placed on 00h block address is guaranteed to be a valid block.

Figure 9.2 Bad Block Management Flowchart

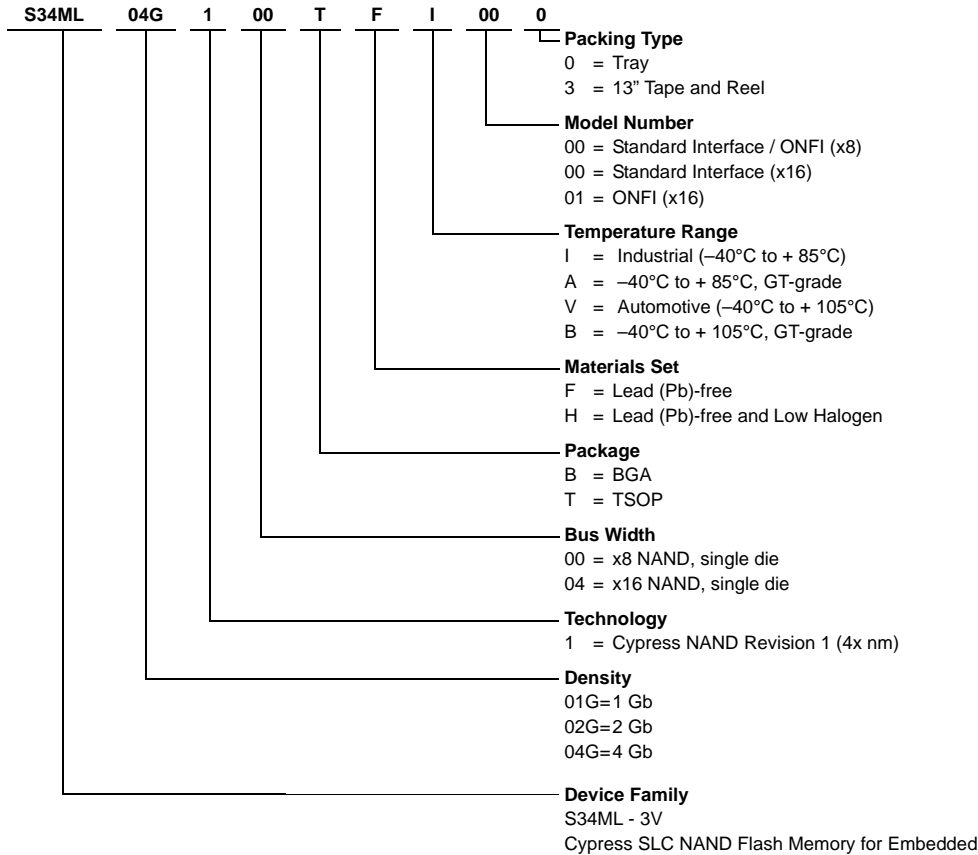


Note:

1. Check for FFh at the 1st byte in the spare area of the 1st, 2nd, and last pages.

10. Ordering Information

The ordering part number is formed by a valid combination of the following:



Valid Combinations

Valid Combinations list configurations planned to be supported in volume for this device. Consult your local sales office to confirm availability of specific valid combinations and to check on newly released combinations.

Valid Combinations								
Device Family	Density	Technology	Bus Width	Package Type	Temperature Range	Additional Ordering Options	Packing Type	Package Description
S34ML	01G	1	00, 04	TF, BH	I A, V, B (2)	00, 01	0, 3	TSOP, BGA (1)
	02G							
	04G							

Notes:

1. BGA package marking omits the leading "S34" and the Packing Type designator from the ordering part number.
2. A, V, B: 4G x16 (04 in bus width) available, but for other X16 versions contact factory.

11. Revision History

Spancion Publication Number: S34ML01G1_04G1

Section	Description
Revision 01 (April 16, 2012)	
	Initial release
Revision 02 (May 4, 2012)	
Global	Removed Spancion Confidential designation
Read Status Enhanced	Updated text
Command Set	Updated table: Command Set
Read ID	Updated table: Read ID for Supported Configurations
Legacy Read ID	Removed section heading: Legacy Read ID
Valid Blocks	Updated table: Valid Blocks
Revision 03 (May 23, 2012)	
Global	Changed Cache Read to Read Cache
General Description	Updated text
Block Diagram	Combined three block diagrams into one
Addressing	Updated Address Cycle Map tables
Mode Selection	Updated table: Busy Time in Read; updated note
Command Set	Updated table Added 'Supported in S34ML01G1' column
Copy Back Program	Updated text
Multiplane Copy Back Program	Updated text
Special Read for Copy Back	Updated text
Read EDC Status Register	Updated text
Read ID	Read ID Byte 4 Description — S34ML01G1 table: changed Number of I/O to Spare Area Size (byte / 512 byte)
Absolute Maximum Ratings	Updated Input or Output Voltage and Supply Voltage rows
Program / Erase Characteristics	Updated table
Revision 04 (May 24, 2012)	
Performance	Updated Performance section
Read ID	Updated Read ID for Supported Configurations table Modified tables: Read ID Byte 3 Description, Read ID Byte 4 Description – S34ML01G1, Read ID Byte 4 Description – S34ML02G1 and S34ML04G1, Read ID Byte 5 Description – S34ML02G1 and S34ML04G1
AC Test Conditions	Updated table
Revision 05 (May 31, 2012)	
Global	Data Sheet designation updated from Advance Information to Preliminary
Distinctive Characteristics/ Performance	Updated Distinctive Characteristics and Performance section
Pin Description	Updated Pin Description table
Addressing	Updated Address Cycle Map — 1 Gb Device table Updated Address Cycle Map — 2 Gb Device table Updated Address Cycle Map — 4 Gb Device table
Command Set	Updated Command Set table
Revision 06 (July 13, 2012)	

Section	Description
Performance	Corrected Page Read/Program - Sequential access: from 25ns (Max) to 25 ns (Min)
Connection Diagram	Corrected figure: 48-Pin TSOP1 Contact x8 Device
Mode Selection	Mode selection table: corrected Busy Time in Read, WE# from High to X; corrected Notes
Command Set	Command Set table: added ONFI, Extended Read Status, and Read ID2 commands Note that all ONFI information is in the Advanced Information designation
Copy Back Program	Updated section
Multiplane Copy Back Program — S34ML02G1 and S34ML04G1	Updated section
Read ID2	Added section
Read ONFI Signature	Added Section Note that all ONFI information is in the Advanced Information designation
Read Parameter Page	Added section Note that all ONFI information is in the Advanced Information designation
One-Time Programmable (OTP) Entry	Added section Note that all ONFI information is in the Advanced Information designation
Program/Erase Characteristics	Added note to table
Timing Diagrams	Rearranged section Added timing diagrams: Multiplane Block Erase (ONFI 1.0 Protocol), Multiplane Cache Program (ONFI 1.0 Protocol), Read ID2 Operation Timing, ONFI Signature Timing, Read Parameter Page Timing, Read ID2 Operation Timing, OTP Entry Timing Updated timing diagrams: Page Read Operation (Read One Page), Page Read Operation Intercepted by CE#, Page Read Operation Timing with CE# Don't Care, Page Program Operation, Page Program Operation Timing with CE# Don't Care, Random Data Input, Random Data Output, Multiplane Page Program, Block Erase Operation (Erase One Block), Reset Operation Timing, Read Cache Operation Timing, Cache Program, Multiplane Cache Program, Read ID Operation Timing Note that all ONFI information is in the Advanced Information designation
Revision 07 (July 23, 2012)	
Command Set	Command Set table: changed Read ONFI Signature to 'Yes' for Supported on S34ML01G1
Read Parameter Page	Parameter Page Description table: changed Byte 254-255 Values
Valid Blocks	Valid Blocks table: removed Note 1 and Note 3
DC Characteristics	DC Characteristics and Operating Conditions table: corrected Output low voltage Test Conditions corrected Output low current (R/B#) Typ and Max values
Revision 08 (August 2, 2012)	
Global	Note that all ONFI information is now in the Preliminary designation
Read Parameter Page	Parameter Page Description table: updated values for bytes 6-7, 108-109, 254-255
Physical Interface	Added TSOP (2 CE 8 Gb) diagram Added BGA diagram
Ordering Information	Updated data
Appendix A	Added Errata
Revision 09 (August 29, 2012)	
Global	Removed 8 Gb data Added x16 I/O bus width data
Revision 10 (September 6, 2012)	

Section	Description
Connection Diagram	48-Pin TSOP1 Contact x8, x16 Devices figure: corrected pinouts 63-VFBGA Contact, x16 Device (Balls Down, Top View) figure: corrected pinouts, removed note
Command Set	Reorganized section
AC Characteristics	Corrected T _{ALS} Min and T _{DS} Min
Revision 11 (October 1, 2012)	
Addressing	Address Cycle Map — 1 Gb Device: corrected data Address Cycle Map — 2 Gb Device: corrected data Address Cycle Map — 4 Gb Device: corrected data
Multiplane Program — S34ML02G1 and S34ML04G1	Added text
Block Erase	Added text
Multiplane Block Erase — S34ML02G1 and S34ML04G1	Added text
Copy Back Program	Added text
Multiplane Copy Back Program — S34ML02G1 and S34ML04G1	Added text
Multiplane Cache Program — S34ML02G1 and S34ML04G1	Added text
Read Parameter Page	Parameter Page Description table: corrected Electrical Parameters Block values for bytes 129-130 and bytes 131-132 corrected Vendor Block values for bytes 254-255
Multiplane Page Program Operation — S34ML02G1 and S34ML04G1	Added note to Multiplane Page Program figure Added note to Multiplane Page Program (ONFI 1.0 Protocol) figure
Multiplane Block Erase — S34ML02G1 and S34ML04G1	Added note to Multiplane Block Erase figure Updated note to Multiplane Block Erase (ONFI 1.0 Protocol) figure
Multiplane Copy Back Program — S34ML02G1 and S34ML04G1	Added note to Multiplane Copy Back Program figure Multiplane Copy Back Program (ONFI 1.0 Protocol) figure: corrected IOx values Updated note
Multiplane Cache Program — S34ML02G1 and S34ML04G1	Added note to Multiplane Cache Program figure Multiplane Cache Program (ONFI 1.0 Protocol) figure: removed address values from RY/BY# changed IOx value from F1h to 70h updated note
AC Characteristics	AC Characteristics table: added CE# access time
Revision 12 (November 2, 2012)	
Global	Data Sheet designation updated from Preliminary to Full Production
Absolute Maximum Ratings	Added note
Ordering Information	Valid Combinations table: added to Additional Ordering Options
Revision 13 (December 19, 2012)	
Command Set	Added Page Reprogram command Changed ReadID2 to be “Supported on S34ML01G1”
Page Reprogram	Moved section Added paragraph
Copy Back Program	Added paragraph

Section	Description
Reset	Updated paragraph
ReadID2	Updated paragraph
Read Parameter Page	Parameter Page Description table: fixed Values of Bytes 6-7 and 254-255 fixed Description of Bytes 129-130 and 131-132
DC Characteristics	DC Characteristics and Operating Conditions table: Power-On Reset Current (S34ML01G1): removed row Operating Current: removed I_{CC1} : $t_{RC} = t_{RC}(\min)$; I_{CC2} : removed Cache (S34ML01G1) Input Leakage Current: removed $V_{IN} = 0$ to $V_{CC}(\max)$ Output Leakage Current: removed $V_{OUT} = 0$ to $V_{CC}(\max)$ Output High Voltage: removed $I_{OH} = -100 \mu A$, $I_{OH} = 100 \mu A$, and $I_{OH} = 400 \mu A$ rows Output Low Voltage: removed $I_{OL} = -100 \mu A$ row Output Low Current (R/B#): removed $V_{OL} = 0.1V$ row
AC Characteristics	AC Characteristics table: added note
Page Read Operation	Page Read Operation (Read One Page) figure: added note
Read ID2 Operation Timing	Read ID2 Operation Timing figure: replaced t_{WHR} with t_R and added R/B# timing signal added note
Bad Block Management	Added text Bad Block Management Flowchart: updated note
Revision 14 (February 28, 2013)	
Command Set	Command Set table: removed 'Nth Page' entries
Page Program	Added paragraph
Multiplane Program — S34ML02G1 and S34ML04G1	Added paragraph
Page Reprogram — S34ML02G1 and S34ML04G1	Added paragraph
Block Erase	Added paragraph
Multiplane Block Erase — S34ML02G1 and S34ML04G1	Added paragraph
Copy Back Program	Added paragraph
Multiplane Copy Back Program — S34ML02G1 and S34ML04G1	Added paragraph
Cache Program — S34ML02G1 and S34ML04G1	Added paragraph
Multiplane Cache Program — S34ML02G1 and S34ML04G1	Added paragraph
Read Parameter Page	Added paragraph
Electrical Characteristics	Valid Blocks table: updated table
AC Characteristics	AC Characteristics table: corrected Min value for t_{CLS} and Max value for t_{CEA}
Read Status Cycle Timing	Status / EDC Read Cycle figure: removed Note
Revision 15 (March 7, 2013)	
Ready/Busy	Updated section Corrected Ready/Busy Pin Electrical Application figure
Revision 16 (August 9, 2013)	

Section	Description
Distinctive Characteristics	Security: removed Serial number (unique ID) Operating Temperature: removed Commercial and Extended temperatures
Performance	Updated Reliability
General Description	Updated section Removed bullet: Serial number (unique identifier)
Addressing	Appended Note in all Address Cycle Map tables Added text to Bus Cycle column in all Address Cycle Map tables
Mode Selection	Updated Mode Selection table
Command Set	Command Set table: updated Acceptable Command during Busy column Changed status of Cache Program (End) and Cache Program (Start) / (Continue) to 'Supported on S34ML01G1'
Page Read	Updated section
Page Program	Changed sentence "In addition, pages must be sequentially programmed within a block." to "Pages may be programmed in any order within a block."
Multiplane Program — S34ML02G1 and S34ML04G1	Changed sentence "In addition, pages must be programmed sequentially within a block." to "Pages may be programmed in any order within a block."
Page Reprogram — S34ML02G1 and S34ML04G1	Corrected Page Reprogram figure Corrected Page Reprogram with Data Manipulation figure
Copy Back Program	Updated section
Read Status Enhanced — S34ML02G1 and S34ML04G1	Updated section
Read Status Register Field Definition	Updated Status Register Coding table
Cache Program	Removed S34ML02G1 and S34ML04G1 from heading
Read ID	Read ID Bytes: updated Description
Read Parameter Page	Parameter Page Description table: corrected Values for Bytes 8-9 and 254-255
Absolute Maximum Ratings	Updated Absolute Maximum Ratings table
Multiplane Page Program Operation — S34ML02G1 and S34ML04G1	Updated Multiplane Page Program figure Updated Multiplane Page Program (ONFI 1.0 Protocol)
Copy Back Read with Optional Data Readout	Corrected Copy Back Read with Optional Data Readout figure
Copy Back Program Operation With Random Data Input	Updated Copy Back Program Operation With Random Data Input figure
Read Status Register Timing	Removed Read Status Enhanced Cycle figure
Read Status Enhanced Timing	Removed Read Status Timing figure
Read Cache	Updated Read Cache Operation Timing figure Removed Cache Timing heading
Cache Program	Updated Cache Program figure
Multiplane Cache Program — S34ML02G1 and S34ML04G1	Updated Multiplane Cache Program figure Updated Multiplane Cache Program (ONFI 1.0 Protocol) figure
Read Parameter Page Timing	Added Note to Read Parameter Page Timing figure
One-Time Programmable (OTP) Entry	Added Note stating that the OTP feature in the S34ML01G1 does not have non-volatile protection

Section	Description
Electrical Characteristics	Absolute Maximum Ratings table: removed Ambient Operating Temperature (Commercial Temperature Range) and Ambient Operating Temperature (Extended Temperature Range)
Physical Interface	Updated figures: TS/TSR 48 — 48-lead Plastic Thin Small Outline, 12 x 20 mm, Package Outline VBM063 — 63-Pin BGA, 11 mm x 9 mm Package
System Interface	Updated Read Operation with CE# Don't Care figure
Ordering Information	Updated Materials Set: H = Low Halogen to H = Lead (Pb)-free and Low Halogen Added Note to Valid Combinations table
Revision 17 (February 10, 2014)	
Distinctive Characteristics	Operating Temperature: Added Automotive
Read ID	Updated section
Ordering Information	Temperature Range: Added A, V, B
Valid Combinations	Temperature Range: Added A, V, B Added Note

Document History Page

Document Title: S34ML01G1, S34ML02G1, S34ML04G1 1 Gbit, 2 Gbit, 4 Gbit, 3 V SLC NAND Flash for Embedded				
Document Number: 002-00676				
Rev.	ECN No.	Orig. of Change	Submission Date	Description of Change
**	-	XILA	04/16/2012	Initial release
*A	-	XILA	05/04/2012	Global: Removed Spansion Confidential designation Read Status Enhanced: Updated text Command Set: Updated table: Command Set Read ID Updated table: Read ID for Supported Configurations Legacy Read ID: Removed section heading: Legacy Read ID Valid Blocks Updated table: Valid Blocks
*B	-	XILA	05/23/2012	Global: Changed Cache Read to Read Cache General Description: Updated text Block Diagram: Combined three block diagrams into one Addressing: Updated Address Cycle Map tables Mode Selection: Updated table: Busy Time in Read; updated note Command Set: Updated table Added 'Supported in S34ML01G1' column Copy Back Program: Updated text Multiplane Copy Back Program: Updated text Special Read for Copy Back: Updated text Read EDC Status Register: Updated text Read ID: Read ID Byte 4 Description — S34ML01G1 table: changed Number of I/O to Spare Area Size (byte / 512 byte) Absolute Maximum Ratings: Updated Input or Output Voltage and Supply Voltage rows Program / Erase Characteristics: Updated table

Document History Page (Continued)

Document Title: S34ML01G1, S34ML02G1, S34ML04G1 1 Gbit, 2 Gbit, 4 Gbit, 3 V SLC NAND Flash for Embedded Document Number: 002-00676				
Rev.	ECN No.	Orig. of Change	Submission Date	Description of Change
*C	-	XILA	05/24/2012	Performance: Updated Performance section Read ID: Updated Read ID for Supported Configurations table Modified tables: Read ID Byte 3 Description, Read ID Byte 4 Description – S34ML01G1, Read ID Byte 4 Description – S34ML02G1 and S34ML04G1, Read ID Byte 5 Description – S34ML02G1 and S34ML04G1 AC Test Conditions: Updated table
*D	-	XILA	05/31/2012	Global: Data Sheet designation updated from Advance Information to Preliminary Distinctive Characteristics/Performance Updated Distinctive Characteristics and Performance section Pin Description: Updated Pin Description table Addressing: Updated Address Cycle Map — 1 Gb Device table Updated Address Cycle Map — 2 Gb Device table Updated Address Cycle Map — 4 Gb Device table Command Se: Updated Command Set table
*E	-	XILA	07/13/2012	Performance: Corrected Page Read/Program - Sequential access: from 25ns (Max) to 25 ns (Min) Connection Diagram Corrected figure: 48-Pin TSOP1 Contact x8 Device Mode Selection: Mode selection table: corrected Busy Time in Read, WE# from High to X; corrected Notes Command Set: Command Set table: added ONFI, Extended Read Status, and Read ID2 commands Note that all ONFI information is in the Advanced Information designation Copy Back Program: Updated section Multiplane Copy Back Program — S34ML02G1 and S34ML04G1 Updated section Read ID2: Added section Read ONFI Signature: Added Section Note that all ONFI information is in the Advanced Information designation Read Parameter Page: Added section Note that all ONFI information is in the Advanced Information designation One-Time Programmable (OTP) Entry: Added section Note that all ONFI information is in the Advanced Information designation Program/Erase Characteristics: Added note to table Timing Diagrams Rearranged section Added timing diagrams: Multiplane Block Erase (ONFI 1.0 Protocol), Multiplane Cache Program (ONFI 1.0 Protocol), Read ID2 Operation Timing, ONFI Signature Timing, Read Parameter Page Timing, Read ID2 Operation Timing, OTP Entry Timing Updated timing diagrams: Page Read Operation (Read One Page), Page Read Operation Intercepted by CE#, Page Read Operation Timing with CE# Don't Care, Page Program Operation, Page Program Operation Timing with CE# Don't Care, Random Data Input, Random Data Output, Multiplane Page Program, Block Erase Operation (Erase One Block), Reset Operation Timing, Read Cache Operation Timing, Cache Program, Multiplane Cache Program, Read ID Operation Timing Note that all ONFI information is in the Advanced Information designation

Document History Page (Continued)

Document Title: S34ML01G1, S34ML02G1, S34ML04G1 1 Gbit, 2 Gbit, 4 Gbit, 3 V SLC NAND Flash for Embedded Document Number: 002-00676				
Rev.	ECN No.	Orig. of Change	Submission Date	Description of Change
*F	-	XILA	07/23/2012	Command Set: Command Set table: changed Read ONFI Signature to 'Yes' for Supported on S34ML01G1 Read Parameter Page: Parameter Page Description table: changed Byte 254-255 Values Valid Blocks: Valid Blocks table: removed Note 1 and Note 3 DC Characteristics: DC Characteristics and Operating Conditions table: corrected Output low voltage Test Conditions corrected Output low current (R/B#) Typ and Max values
*G	-	XILA	08/02/2012	Global: Note that all ONFI information is now in the Preliminary designation Read Parameter Page: Parameter Page Description table: updated values for bytes 6-7, 108-109, 254-255 Physical Interface: Added TSOP (2 CE 8 Gb) diagram Added BGA diagram Ordering Information: Updated data Appendix A: Added Errata
*H	-	XILA	08/29/2012	Global: Removed 8 Gb data Added x16 I/O bus width data Revision 10 (September 6, 2012) Connection Diagram: 48-Pin TSOP1 Contact x8, x16 Devices figure: corrected pinouts 63-VFBGA Contact, x16 Device (Balls Down, Top View) figure: corrected pinouts, removed note Command Set: Reorganized section AC Characteristics: Corrected TALS Min and TDS Min

Document History Page (Continued)

Document Title: S34ML01G1, S34ML02G1, S34ML04G1 1 Gbit, 2 Gbit, 4 Gbit, 3 V SLC NAND Flash for Embedded Document Number: 002-00676				
Rev.	ECN No.	Orig. of Change	Submission Date	Description of Change
*I	-	XILA	09/06/2012	AddressingAddress Cycle Map -1 Gb Device: corrected data Address Cycle Map -2 Gb Device: corrected data Address Cycle Map -4 Gb Device: corrected data Multiplane Program -S34ML02G1 and S34ML04G: Added text Block EraseAdded text Multiplane Block Erase -S34ML02G1 and S34ML04G1: Added text Copy Back Program: Added text Multiplane Copy Back Program — S34ML02G1 and S34ML04G: Added text Multiplane Cache Program — S34ML02G1 and S34ML04G1: Added text Read Parameter Page: Parameter Page Description table: corrected Electrical Parameters Block values for bytes 129-130 and bytes 131-132 corrected Vendor Block values for bytes 254-255 Multiplane Page Program Operation — S34ML02G1 and S34ML04G1Added note to Multiplane Page Program figure Added note to Multiplane Page Program (ONFI 1.0 Protocol) figure Multiplane Block Erase — S34ML02G1 and S34ML04G1: Added note to Multiplane Block Erase figure Updated note to Multiplane Block Erase (ONFI 1.0 Protocol) figure Multiplane Copy Back Program — S34ML02G1 and S34ML04G1: Added note to Multiplane Copy Back Program figure Multiplane Copy Back Program (ONFI 1.0 Protocol) figure: corrected IOx values Updated note Multiplane Cache Program — S34ML02G1 and S34ML04G1Added note to Multiplane Cache Program figure Multiplane Cache Program (ONFI 1.0 Protocol) figure: removed address values from RY/BY# changed IOx value from F1h to 70h updated note AC Characteristics: AC Characteristics table: added CE# access time
*J	-	XILA	10/01/2012	Connection Diagram: 48-Pin TSOP1 Contact x8, x16 Devices figure: corrected pinouts 63-VFBGA Contact, x16 Device (Balls Down, Top View) figure: corrected pinouts, removed note
*K	-	XILA	11/02/2012	Global: Data Sheet designation updated from Preliminary to Full Production Absolute Maximum Ratings: Added note Ordering Information: Valid Combinations table: added to Additional Ordering Options

Document History Page (Continued)

Document Title: S34ML01G1, S34ML02G1, S34ML04G1 1 Gbit, 2 Gbit, 4 Gbit, 3 V SLC NAND Flash for Embedded Document Number: 002-00676				
Rev.	ECN No.	Orig. of Change	Submission Date	Description of Change
*L	-	XILA	12/19/2012	<p>Command Set: Added Page Reprogram command Changed ReadID2 to be "Supported on S34ML01G1" Page Reprogram: Moved section Added paragraph Copy Back Program Added paragraph Reset: Updated paragraph ReadID2: Updated paragraph Read Parameter Page: Parameter Page Description table: fixed Values of Bytes 6-7 and 254-255 fixed Description of Bytes 129-130 and 131-132 DC Characteristics DC Characteristics and Operating Conditions table: Power-On Reset Current (S34ML01G1): removed row Operating Current: removed ICC1: tRC = tRC (min); ICC2: removed Cache (S34ML01G1) Input Leakage Current: removed VIN = 0 to VCC (max) Output Leakage Current: removed VOUT = 0 to VCC (max) Output High Voltage: removed IOH = -100 μA, IOH = 100 μA, and IOH = 400 μA rows Output Low Voltage: removed IOL = -100 μA row Output Low Current (R/B#): removed VOL = 0.1V row AC Characteristics: AC Characteristics table: added note Page Read Operation: Page Read Operation (Read One Page) figure: added note Read ID2 Operation Timin: Read ID2 Operation Timing figure: replaced tWHR with tR and added R/B# timing signal added note Bad Block Management: Added text Bad Block Management Flowchart: updated note</p>
*M	-	XILA	02/28/2013	<p>Command Set: Command Set table: removed 'Nth Page' entries Page Program: Added paragraph Multiplane Program — S34ML02G1 and S34ML04G1: Added paragraph Page Reprogram — S34ML02G1 and S34ML04G1: Added paragraph Block Eras: Added paragraph Multiplane Block Erase — S34ML02G1 and S34ML04G1: Added paragraph Copy Back Program: Added paragraph Multiplane Copy Back Program — S34ML02G1 and S34ML04G1: Added paragraph Cache Program — S34ML02G1 and S34ML04G: Added paragraph Multiplane Cache Program — S34ML02G1 and S34ML04G1 Added paragraph Read Parameter Page: Added paragraph Electrical Characteristics: Valid Blocks table: updated table AC Characteristics: AC Characteristics table: corrected Min value for tCLS and Max value for tCEA Read Status Cycle Timing: status / EDC Read Cycle figure: removed Note</p>
*N	-	XILA	03/07/2013	<p>Ready/Busy: Updated section Corrected Ready/Busy Pin Electrical Application figure</p>

Document History Page (Continued)

Document Title: S34ML01G1, S34ML02G1, S34ML04G1 1 Gbit, 2 Gbit, 4 Gbit, 3 V SLC NAND Flash for Embedded Document Number: 002-00676				
Rev.	ECN No.	Orig. of Change	Submission Date	Description of Change
*O	-	XILA	08/09/2013	Distinctive Characteristics: Security -removed Serial number (unique ID) Operating Temperature: removed Commercial and Extended temperatures Performance: Updated Reliability General Description: Updated section Removed bullet: Serial number (unique identifier) Addressing: Appended Note in all Address Cycle Map tables Added text to Bus Cycle column in all Address Cycle Map tables Mode Selection: Updated Mode Selection table Command Set: Command Set table: updated Acceptable Command during Busy column Changed status of Cache Program (End) and Cache Program (Start) / (Continue) to 'Supported on S34ML01G1' Page Read: Updated section Page Program: Changed sentence "In addition, pages must be sequentially programmed within a block." to "Pages may be programmed in any order within a block." Multiplane Program — S34ML02G1 and S34ML04G1: Changed sentence "In addition, pages must be programmed sequentially within a block." to "Pages may be programmed in any order within a block." Page Reprogram — S34ML02G1 and S34ML04G1: Corrected Page Reprogram figure Corrected Page Reprogram with Data Manipulation figure Copy Back Program: Updated section Read Status Enhanced — S34ML02G1 and S34ML04G1: Updated section Read Status Register Field Definition: Updated Status Register Coding table Cache Program: Removed S34ML02G1 and S34ML04G1 from heading Read ID: Read ID Bytes: updated Description Read Parameter Page: Parameter Page Description table: corrected Values for Bytes 8-9 and 254-255 Absolute Maximum Ratings: Updated Absolute Maximum Ratings table Multiplane Page Program Operation — S34ML02G1 and S34ML04G1: Updated Multiplane Page Program figure Updated Multiplane Page Program (ONFI 1.0 Protocol) Copy Back Read with Optional Data Readout: Corrected Copy Back Read with Optional Data Readout figure Copy Back Program Operation With Random Data Input: Updated Copy Back Program Operation With Random Data Input figure Read Status Register Timing: Removed Read Status Enhanced Cycle figure Read Status Enhanced Timing: Removed Read Status Timing figure Read Cache: Updated Read Cache Operation Timing figure Removed Cache Timing heading Cache Program: Updated Cache Program figure Multiplane Cache Program — S34ML02G1 and S34ML04G1 Updated Multiplane Cache Program figure Updated Multiplane Cache Program (ONFI 1.0 Protocol) figure Read Parameter Page Timing: Added Note to Read Parameter Page Timing figure One-Time Programmable (OTP) Entry: Added Note stating that the OTP feature in the S34ML01G1 does not have non-volatile protection

Document History Page (Continued)

Document Title: S34ML01G1, S34ML02G1, S34ML04G1 1 Gbit, 2 Gbit, 4 Gbit, 3 V SLC NAND Flash for Embedded Document Number: 002-00676				
Rev.	ECN No.	Orig. of Change	Submission Date	Description of Change
*O (Cont'd)	-	XILA	08/09/2013	Operating Temperature (Commercial Temperature Range) and Ambient Operating Temperature (Extended Temperature Range) Physical Interface: Updated figures: TS/TSR 48 — 48-lead Plastic Thin Small Outline, 12 x 20 mm, Package Outline VBM063 — 63-Pin BGA, 11 mm x 9 mm Package System Interface: Updated Read Operation with CE# Don't Care figure Ordering Information: Updated Materials Set: H = Low Halogen to H = Lead (Pb)-free and Low Halogen Added Note to Valid Combinations table
*P	-	XILA	02/10/2014	Distinctive Characteristic: Operating Temperature: Added Automotive Read ID: Updated section Ordering Information: Temperature Range: Added A, V, B Valid Combinations: Temperature Range: Added A, V, B
*Q	4963050	XILA	11/02/2015	Updated to Cypress template

Sales, Solutions, and Legal Information

Worldwide Sales and Design Support

Cypress maintains a worldwide network of offices, solution centers, manufacturer's representatives, and distributors. To find the office closest to you, visit us at [Cypress Locations](#).

Products

Automotive.....[cypress.com/go/automotive](#)
Clocks & Buffers [cypress.com/go/clocks](#)
Interface..... [cypress.com/go/interface](#)
Lighting & Power Control..... [cypress.com/go/powerpsoc](#)
Memory..... [cypress.com/go/memory](#)
PSoC [cypress.com/go/psoc](#)
Touch Sensing [cypress.com/go/touch](#)
USB Controllers..... [cypress.com/go/USB](#)
Wireless/RF [cypress.com/go/wireless](#)

PSoC® Solutions

[psoc.cypress.com/solutions](#)
PSoC 1 | PSoC 3 | PSoC 4 | PSoC 5LP

Cypress Developer Community

[Community](#) | [Forums](#) | [Blogs](#) | [Video](#) | [Training](#)

Technical Support

[cypress.com/go/support](#)

© Cypress Semiconductor Corporation, 2012-2015. The information contained herein is subject to change without notice. Cypress Semiconductor Corporation assumes no responsibility for the use of any circuitry other than circuitry embodied in a Cypress product. Nor does it convey or imply any license under patent or other rights. Cypress products are not warranted nor intended to be used for medical, life support, life saving, critical control or safety applications, unless pursuant to an express written agreement with Cypress. Furthermore, Cypress does not authorize its products for use as critical components in life-support systems where a malfunction or failure may reasonably be expected to result in significant injury to the user. The inclusion of Cypress products in life-support systems application implies that the manufacturer assumes all risk of such use and in doing so indemnifies Cypress against all charges.

Any Source Code (software and/or firmware) is owned by Cypress Semiconductor Corporation (Cypress) and is protected by and subject to worldwide patent protection (United States and foreign), United States copyright laws and international treaty provisions. Cypress hereby grants to licensee a personal, non-exclusive, non-transferable license to copy, use, modify, create derivative works of, and compile the Cypress Source Code and derivative works for the sole purpose of creating custom software and or firmware in support of licensee product to be used only in conjunction with a Cypress integrated circuit as specified in the applicable agreement. Any reproduction, modification, translation, compilation, or representation of this Source Code except as specified above is prohibited without the express written permission of Cypress.

Disclaimer: CYPRESS MAKES NO WARRANTY OF ANY KIND, EXPRESS OR IMPLIED, WITH REGARD TO THIS MATERIAL, INCLUDING, BUT NOT LIMITED TO, THE IMPLIED WARRANTIES OF MERCHANTABILITY AND FITNESS FOR A PARTICULAR PURPOSE. Cypress reserves the right to make changes without further notice to the materials described herein. Cypress does not assume any liability arising out of the application or use of any product or circuit described herein. Cypress does not authorize its products for use as critical components in life-support systems where a malfunction or failure may reasonably be expected to result in significant injury to the user. The inclusion of Cypress' product in a life-support systems application implies that the manufacturer assumes all risk of such use and in doing so indemnifies Cypress against all charges.

Use may be limited by and subject to the applicable Cypress software license agreement.