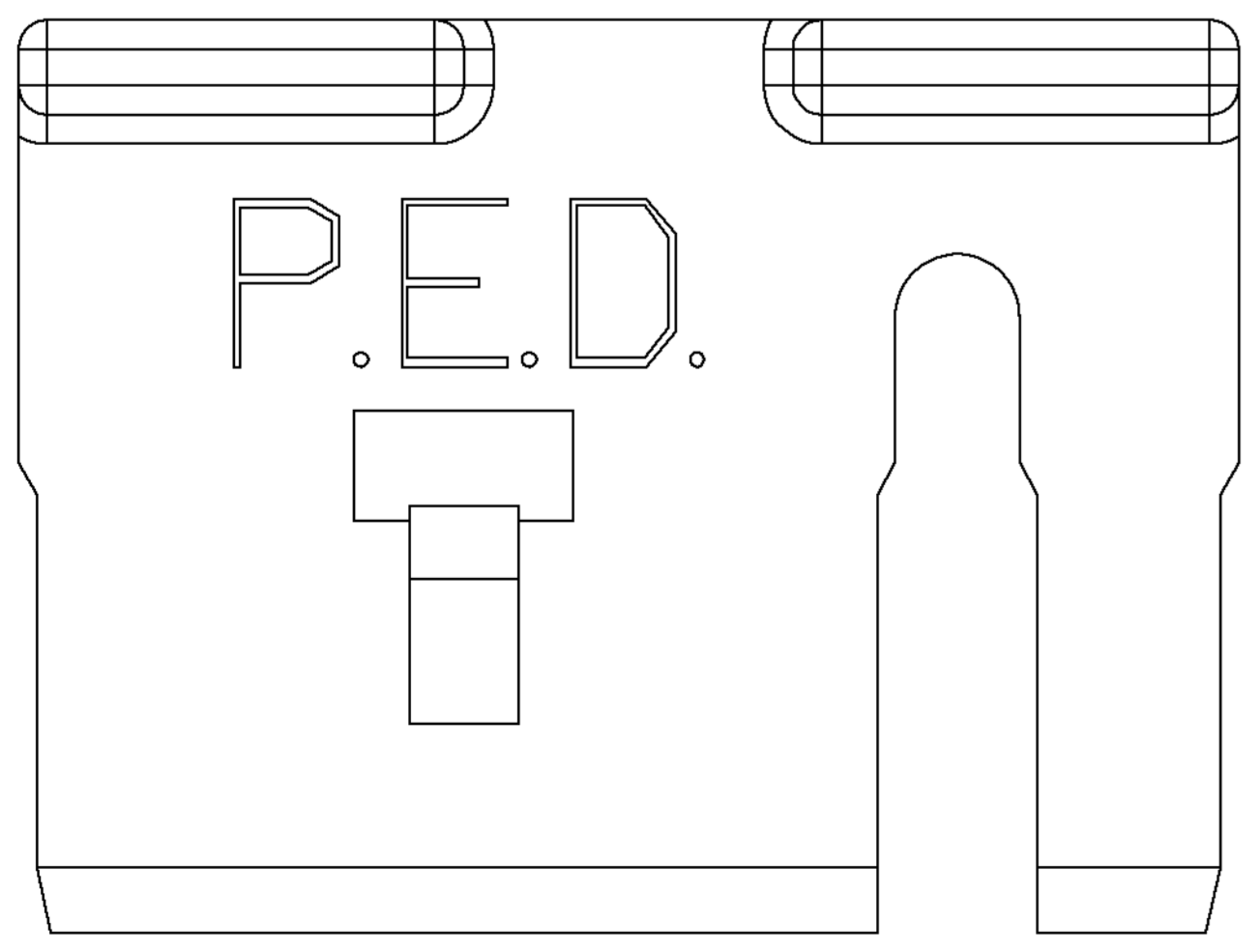
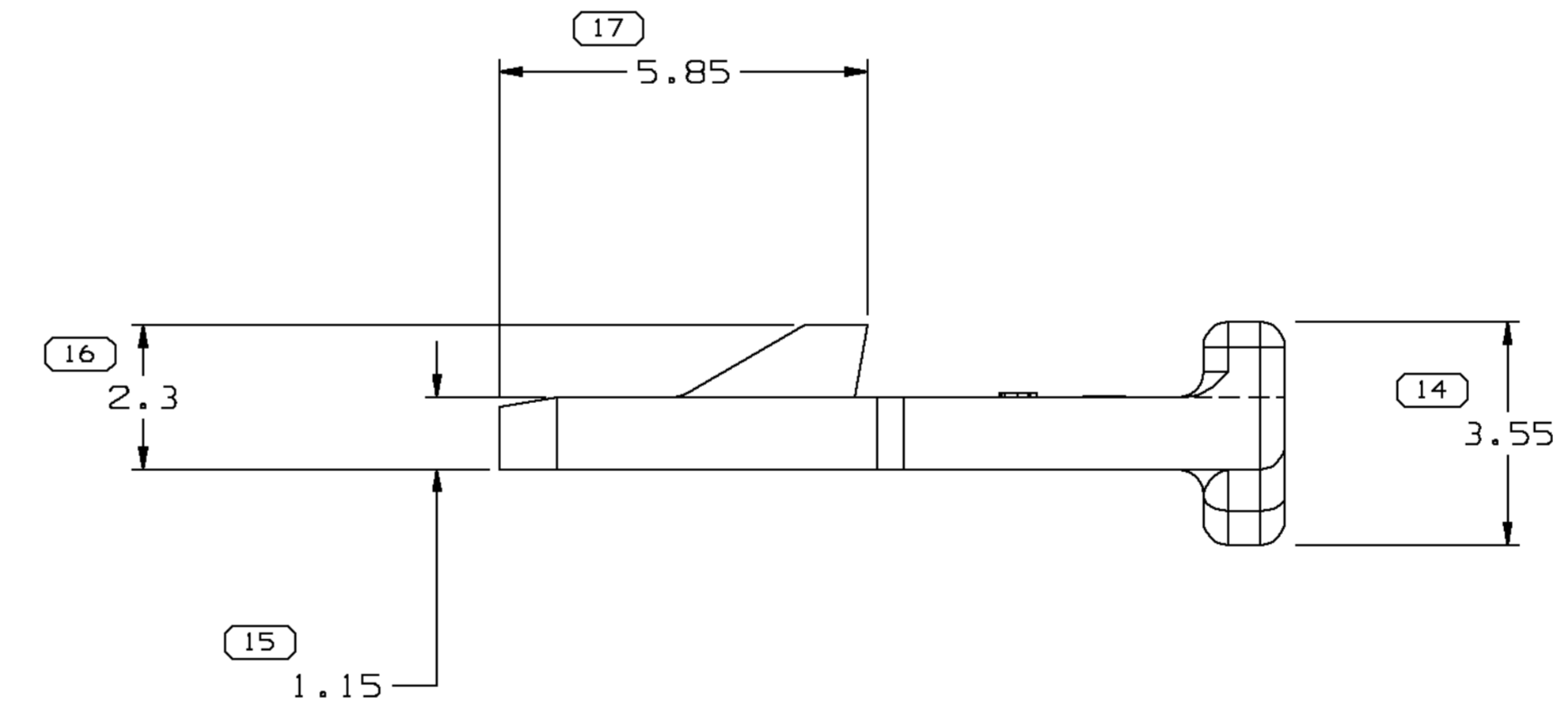
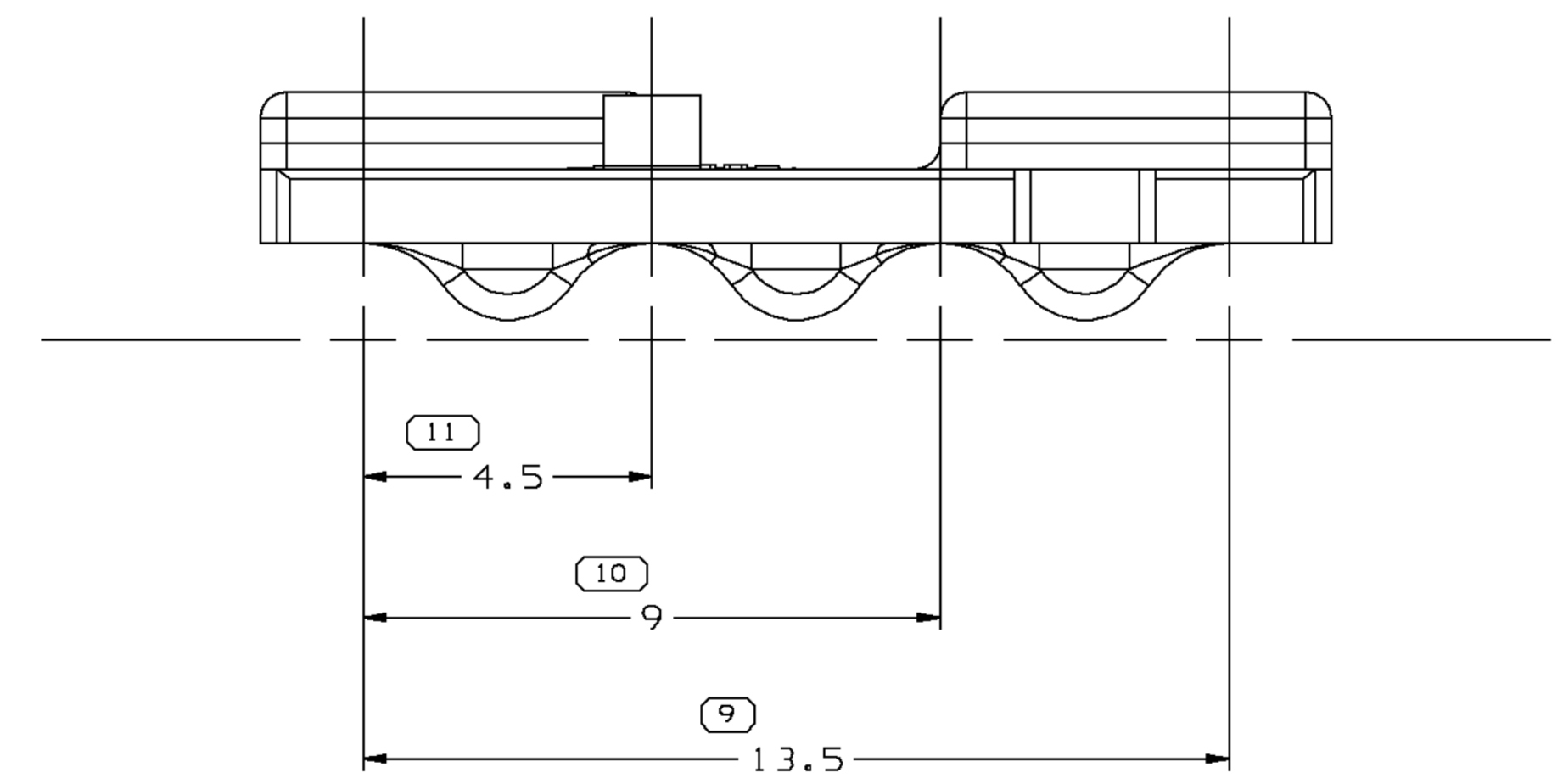
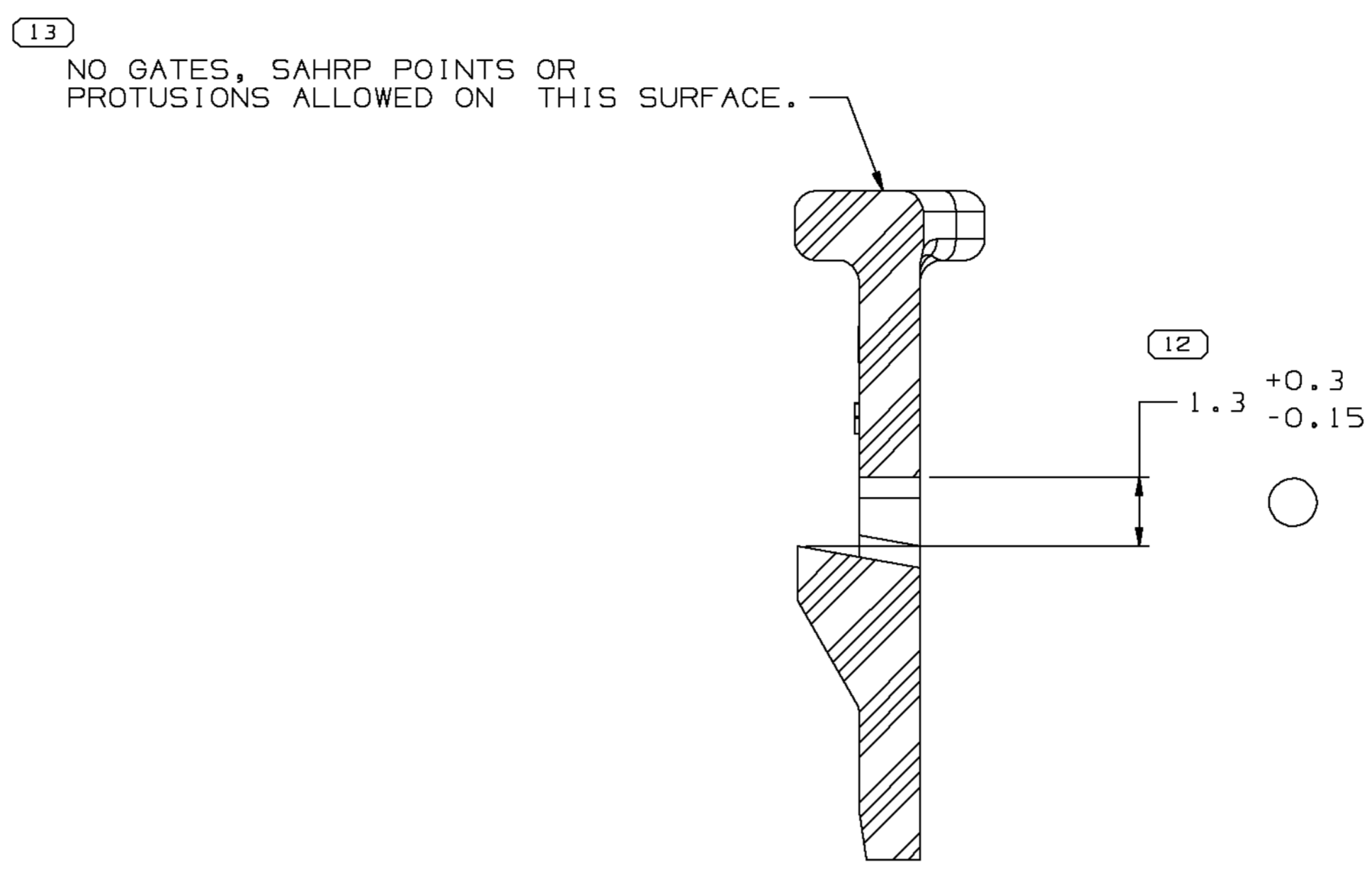
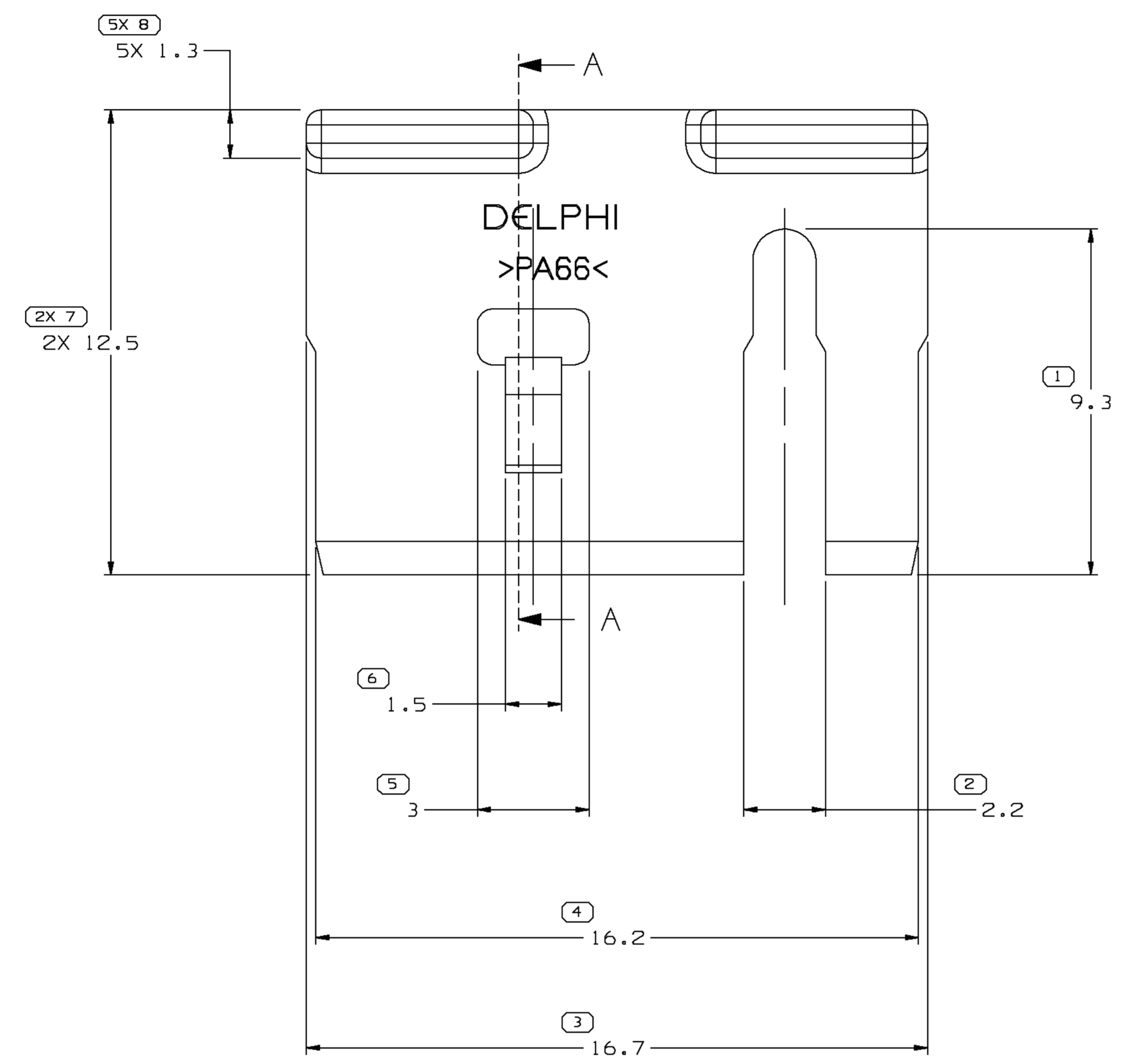


SYMBOL DEFINITION		TOTAL NO OF INSPECTIONS REQUIRED	MISSING SYMBOLS
A DIMENSION WITHOUT AN INSPECTION REPORT SYMBOL DOES NOT REQUIRE INSPECTION. IT MAY BE CONTROLLED ON THE INDIVIDUAL COMPONENT DRAWING.		22	NO MISSING SYMBOL NUMBER
	LAST NO. USED	17	

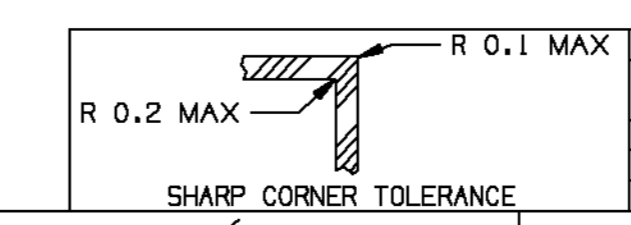
DWG STATUS					REVISION HISTORY			AUTH	DR	APVD	APVD
DATE	STG	REV	W/P	CHG	ZONE						
19JUN01	R	E3	-	-		REDRAWN TO PD	206410	JYD	EOV	GMC	
19JUN01	R	O6	-	-		REVISED MAT'L SPEC	207231	JYD	EOV	GMC	
25NOV02	R	O6	AA	-		1.3 +0.3/-0.15 WAS 1.3 ±0.15	233849	RH	RH	ET	



- NOTES
- UNLESS OTHERWISE SPECIFIED AND/OR INDICATED, DIMENSIONS ARE TO FACE OF VIEW SHOWN AND AUTOMATICALLY ROUNDED BY COMPUTER FOR INSPECTION (SEE MATH MODEL FOR PRECISE DIMENSIONS). FOR ALL OTHER DIMENSIONS NOT SHOWN BUT REQUIRED FOR TOOL BUILD, SEE MATH MODEL FOR PRECISE TOOL PATH DATA. ALL RADII 0.4. DRAFT IS 1:0. MAX ON ALL OUTSIDE SURFACES.
 - TOOL CAVITY IDENTIFICATION SHOULD BE LOCATED AS CLOSE TO THE GATE AS POSSIBLE.
 - MATERIAL RECYCLING CODE >PA66< PER SAE J1344. (1)(X)(0.1) RAISED CHARACTERS AS SHOWN TO BE LOCATED ON ANY EXTERIOR SURFACE. OPTIONAL CONSTRUCTION TO BE NO MATERIAL RECYCLING CODE.
 - THIS PART IS NOT CONTROLLED FOR AUTOMATIC FEEDING.
 - MATING COMPONENTS OR EQUIVALENT:
CONNECTOR 12092162 & 12092163
 - (1)(X)(0.1) RAISED DELPHI CORPORATE BRAND TO BE LOCATED ON ANY EXTERIOR SURFACE, PREFERABLY VISIBLE AT FINAL ASSEMBLY. OPTIONAL CONSTRUCTION TO BE "PED" OR NO LOGO.



3 PROCESS SENSITIVE DIMENSION
DIMENSIONS ENCLOSED IN () INDICATE RETIRED, DURING CHG. AND NO TOLERANCE LIMITS ARE ESTABLISHED



FROM	TO	TOLERANCE UNLESS OTHERWISE SPECIFIED	CHART ET
> 0	> 20	±0.3	1
> 20	> 30	±0.4	1
> 30	> 70	±0.5	1
> 70	> 100	±0.6	1
> 100	> 150	±0.8	1
> 150	> 200	±1	1
> 200	> 250	±1.2	1
> 250	> 300	±1.5	1
> 300	> 400	±2	1

DWO TYPE		PART DRAWING	
STYLE	Q,239	DISTR CODE	D
VOLUME (COP)	6900,6901		
ROUTING			
UNLESS OTHERWISE SPECIFIED			
THIS DOCUMENT IS IN ACCORDANCE WITH ASME Y14.5M-1994 AS AMENDED BY Y14.5M-2009 DIMENSIONING AND TOLERANCING ADDENDUM - 1997. ALL GEOMETRIC TOLERANCES AND RELATED DATUMS APPLY TO THE PERFECT FORM UNLESS OTHERWISE SPECIFIED. DIMENSIONAL TOLERANCES UNLESS OTHERWISE SPECIFIED ARE ESTABLISHED BY ORIENTATION AND LOCATION TOLERANCES. SEPARATE POSITION CALLOUTS MAY BE BASED SEPARATELY. ALL DIMENSIONS ARE IN MILLIMETERS.			
REFERENCE		THIRD ANGLE PROJECTION	DO NOT SCALE
		USE MATH DATA	UNIGRAPHICS

DELPHI
DELPHI PACKARD ELECTRIC SYSTEMS
WARREN, OH

DR	DATE
APVD1 J. YEE	19JUN01
APVD2 E. VAZQUEZ	20JUN01
APVD3 G. MACIAS	21JUN01
APVD4	
APVD5	

MATERIAL: M3592008 PA66 HS 1M BLU
SUBSTANCES OF CONCERN AND RECYCLED CONTENT PER DELPHI 10949001

DRAWING NAME: TPA M/P 150
DRAWING NUMBER: 12092164

SIZE	SCALE	FRAME NO	SHEET NO	STG	REV	W/P
A0	10:1	1	1	1	1	06 AA