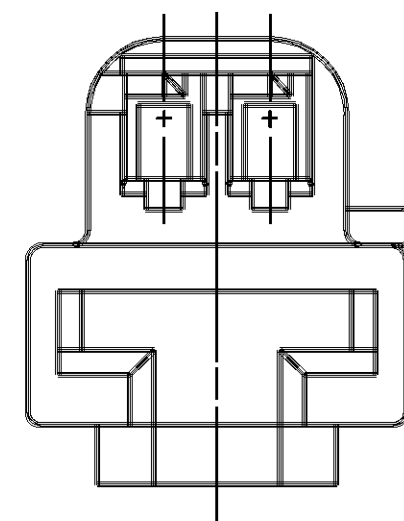
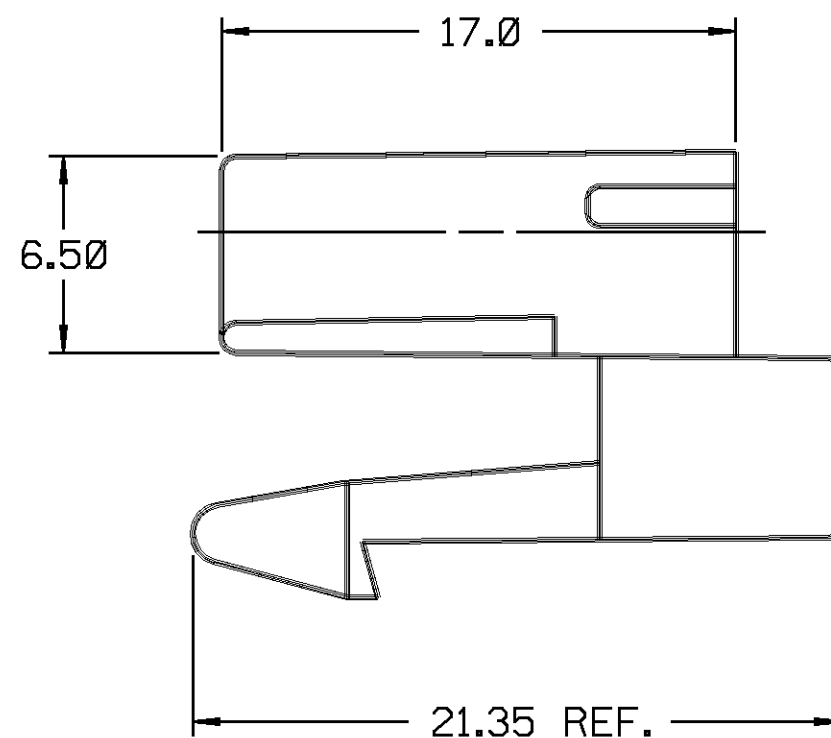
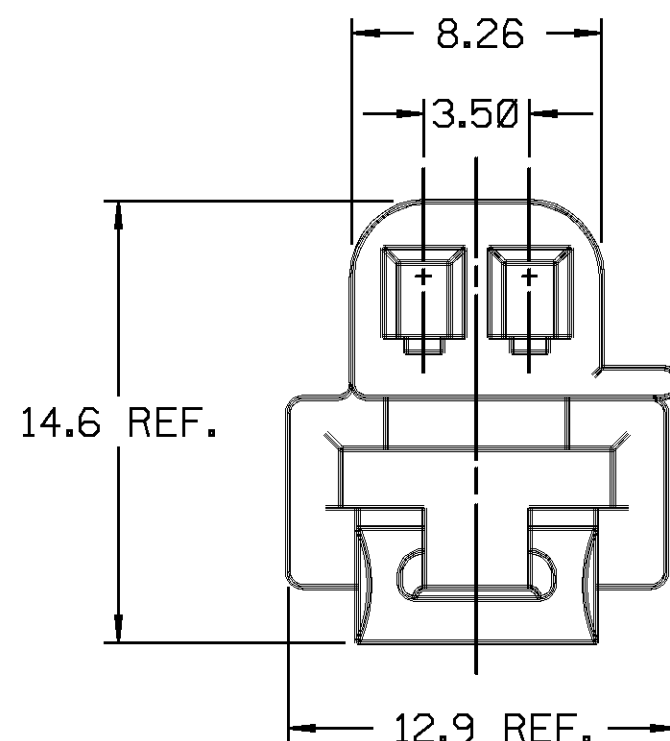
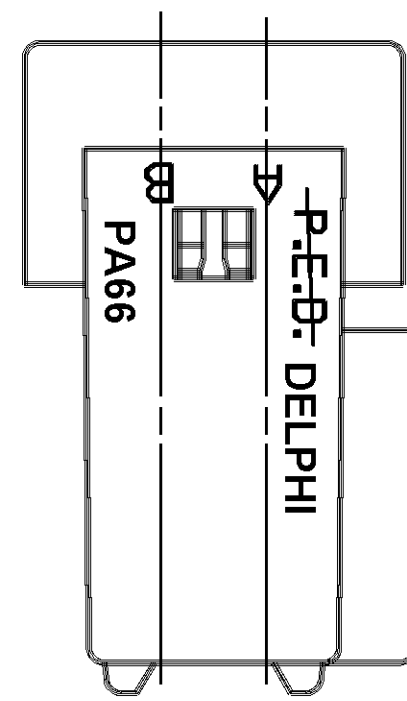


D

THIS DRAWING AND DESIGN HEREON CONSTITUTES A PROPRIETARY DESIGN OF PACKARD ELECTRIC DIVISION AND IS NOT TO BE DUPLICATED OR REPRODUCED WITHOUT AUTHORITY OF PACKARD ELECTRIC DIVISION.

DO NOT SCALE

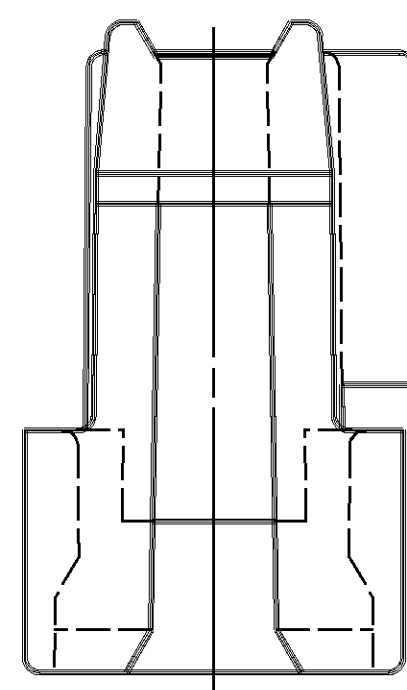
| DATE | SYM | REVISION RECORD | AUTHORITY | DR | CK |
|--------|-----|---|-----------|-----|-----|
| 300C85 | A | RELEASED | 85005 | EM | FH |
| 21JA87 | B | REVISED | 109610 | RB | FH |
| 26AP91 | C | REVISED MAT'L SPEC | 141388 | JK | |
| 04SE02 | C1 | SECONDARY TERMINAL LOCK WAS 12047664. | | | |
| | | ADDED NOTES (2 PLCS) & REVISED MAT'L SPEC | 230019 | RVP | RVP |



PART NO.
12064869

PACKARD ELECTRIC DIVISION
GENERAL MOTORS CORPORATION
WARREN, OHIO

-0-
3



- NOTES —
1. CAVITIES TO ACCEPT 12047883 TERMINAL OR EQUIVALENT.
 2. MATING CONNECTOR IS 12064870 OR EQUIVALENT.
 3. CONNECTOR TO ACCEPT 15324070 SECONDARY TERMINAL LOCK OR EQUIVALENT.
 4. THIS CONNECTOR WILL PASS THROUGH A 17.5 DIA. MIN. HOLE
 5. MAX. INSULATION CRIMP MUST BE LESS THAN 2.60 HIGH AND 2.70 WIDE.
 6. CONNECTOR TO ACCEPT 12052834 POSITION ASSURANCE LOCK OR EQUIVALENT.
 7. (2.3) X (0.1) RAISED DELPHI CORPORATE BRAND TO BE LOCATED ON ANY EXTERIOR SURFACE PREFERABLY VISIBLE AT FINAL ASSEMBLY. OPTIONAL CONSTRUCTION TO BE "PED" OR NO LOGO.
 8. MATERIAL RECYCLING CODE >PP< PER SAE J1344. (2.3) X (0.1) RAISED CHARACTERS AS SHOWN TO BE LOCATED ON ANY EXTERIOR SURFACE. OPTIONAL CONSTRUCTION TO BE NO MATERIAL RECYCLING CODE.

| | | | |
|------------------------|-------------------------|---|---|
| PED / MICROSTATION | | FILE SPEC: | ****USER**** DGN*SPECIFICATION***** ****SYTIME***** |
| THIRD ANGLE PROJECTION | | METRIC DIMENSIONS ARE IN MILLIMETERS UNLESS OTHERWISE SPECIFIED. | |
| CODE NO. | 6900 | TOLERANCE UNLESS OTHERWISE SPECIFIED DECIMAL: ONE PLACE ± 0.2 TWO PLACE ± 0.10 ANGULAR ± 2° | |
| DWG. DATE | 06AU85 | SCALE | NONE |
| EST. NO. | | DR. | Eric W. Meyer 06AU85 |
| REFERENCE NO. | 12064869 'E' SIZE | CK. | F. HESTON DATE 03DE85 |
| MATERIAL SPEC. | M3592008 IM HS PA66 BLU | APPR. | W. CROSS DATE 11JA86 |
| NAME | CONN 2F M/P 150 | | |
| PART NO. | 12064869 | | SIZE |
| | OUTLINE DRAWING | | C |