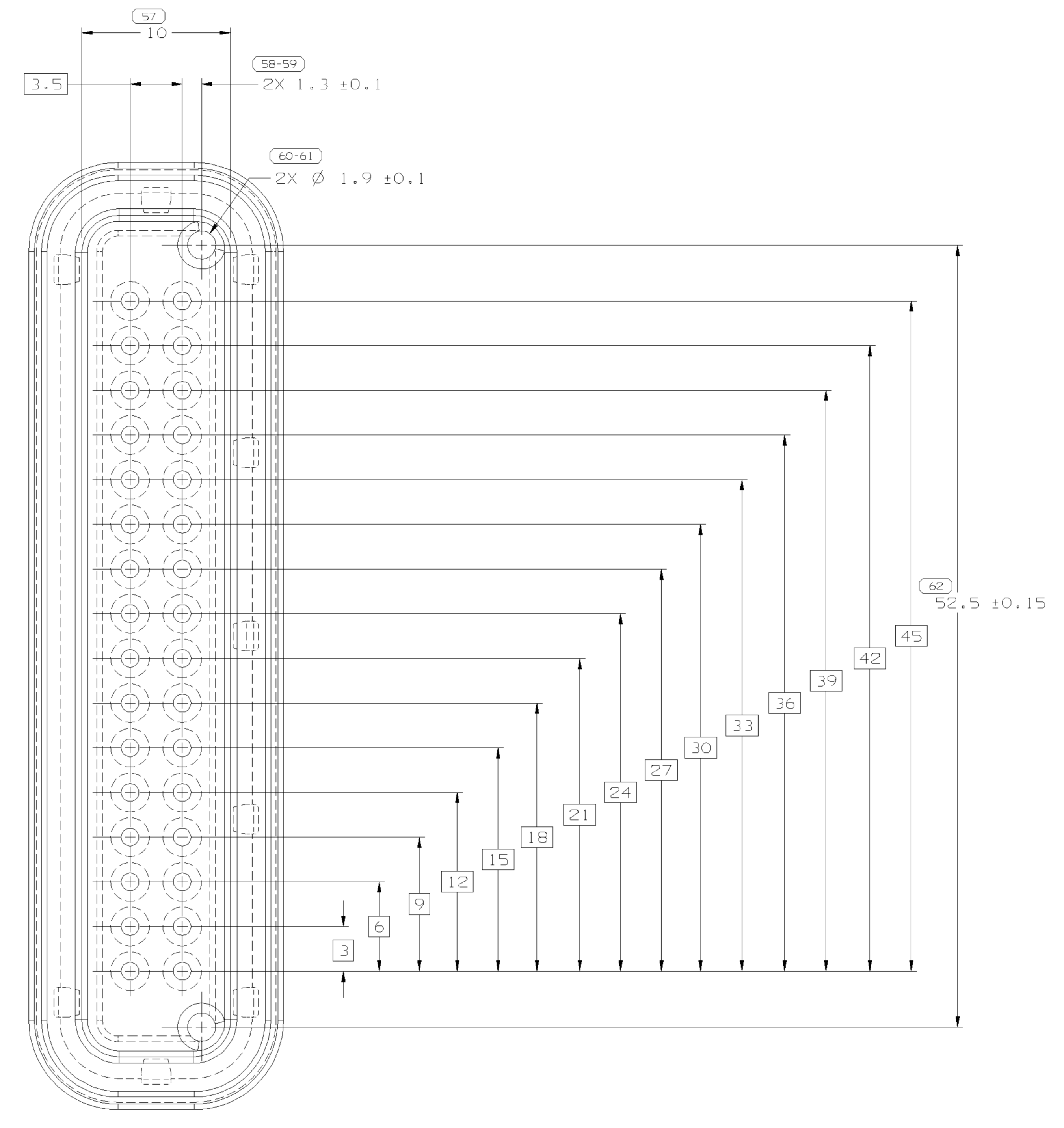
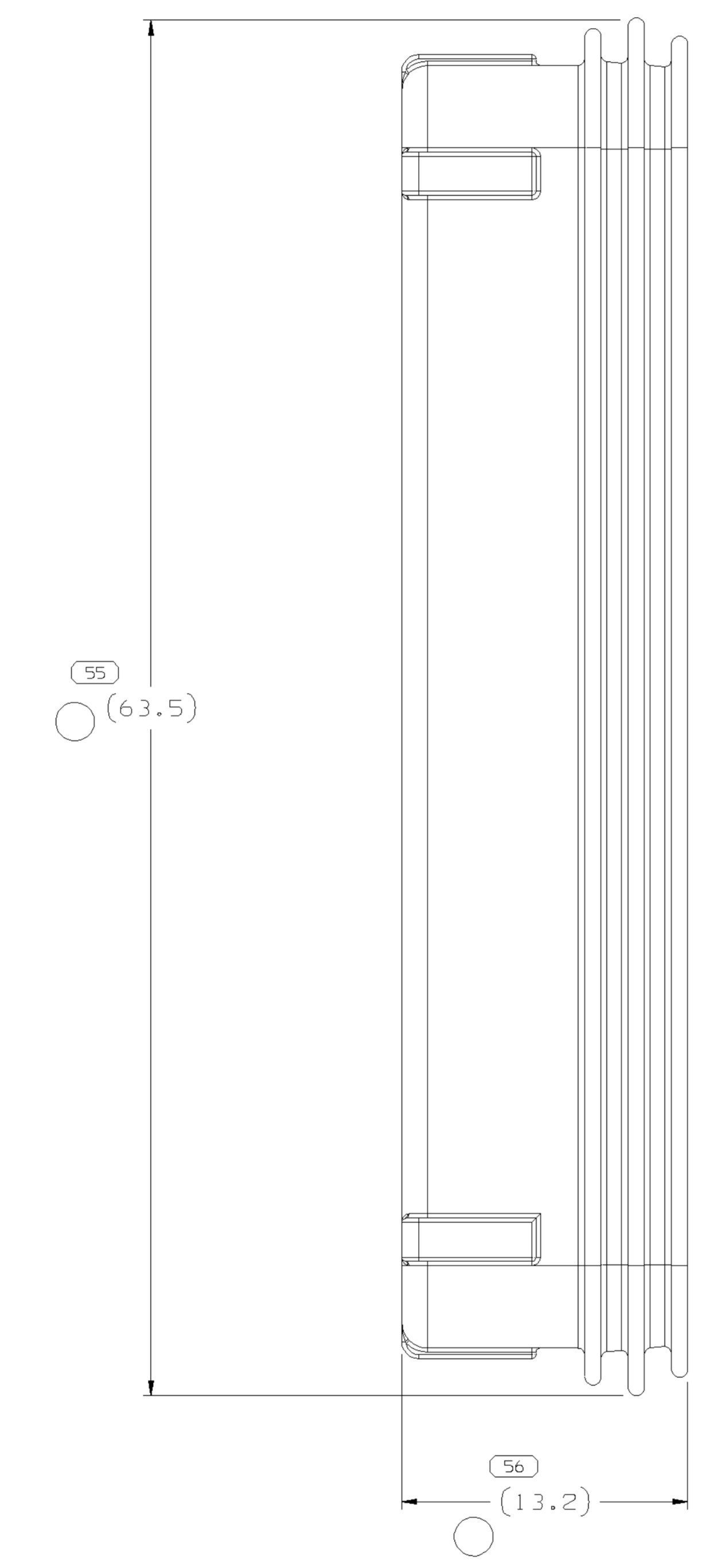
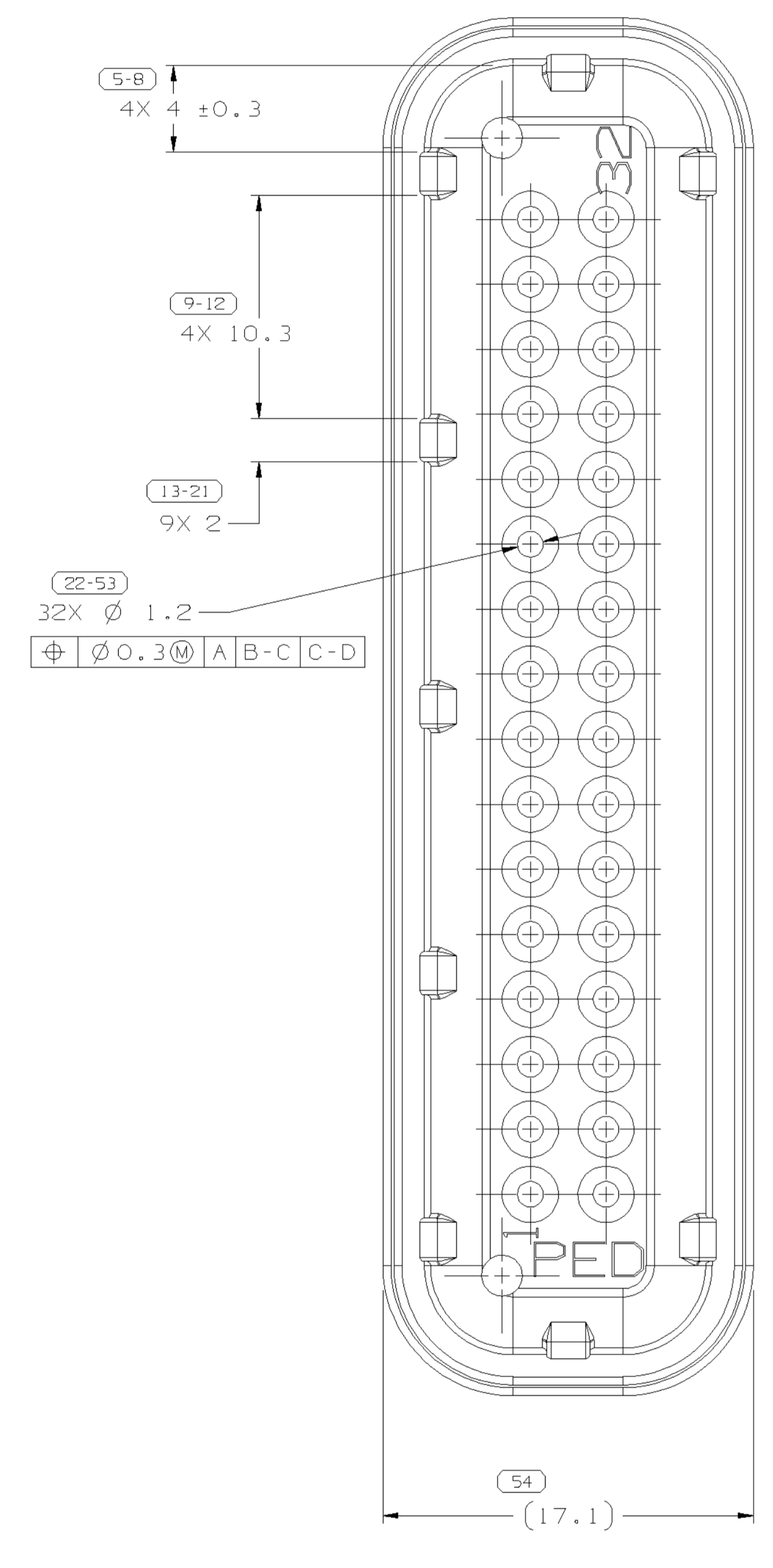
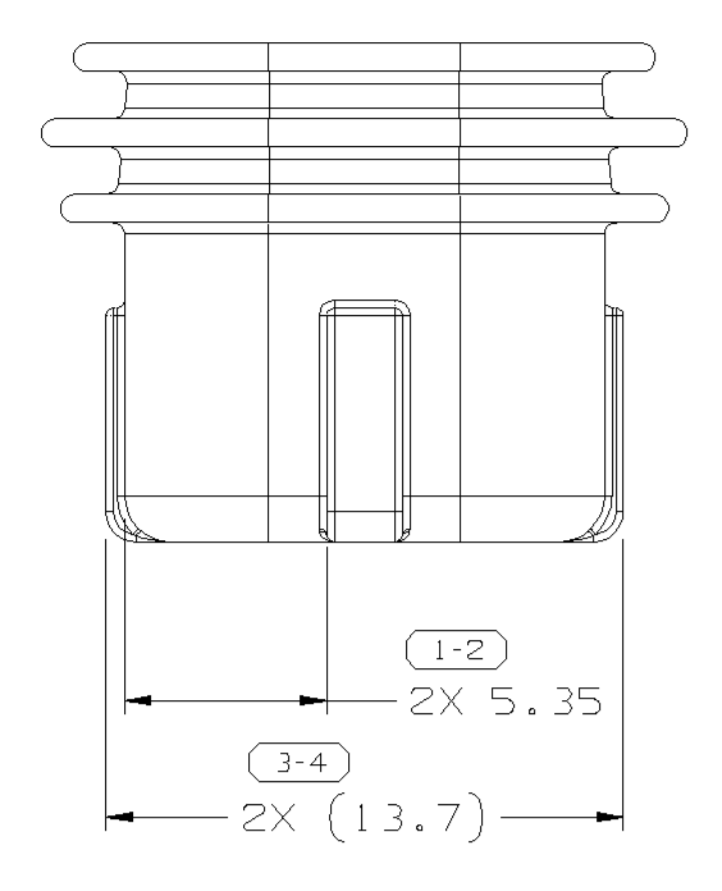


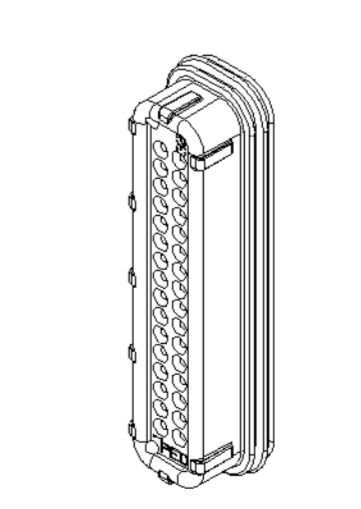
SYMBOL DEFINITION		MISSING NUMBERS	
THE NUMBER INSIDE THE SYMBOL CORRESPONDS TO THE NUMBER ON THE INSPECTION REPORT FOR THIS DRAWING/PART NUMBER	TOTAL NO. OF SYMBOLS ON DRAWING	13	
	LAST NO. USED	62	

DWG STATUS	REV	CHG	ZONE	REVISION HISTORY	AUTH	DR	APVD	APVD
07MR02	R	C7	-	UPDATED PDM ATTRIBUTES	222024	RVP	RVP	JR
14JUN02	R	CB	-	REMOVED PSD 12 PLCS1	226831	RVP	RVP	JR



NOTES

- UNLESS OTHERWISE SPECIFIED AND/OR INDICATED: DIMENSIONS ARE TO FACE OF VIEW SHOWN AND AUTOMATICALLY ROUNDED BY COMPUTER FOR INSPECTION. (SEE MATH MODEL FOR PRECISE DIMENSIONS.) FOR ALL OTHER DIMENSIONS NOT SHOWN BUT REQUIRED FOR TOOL BUILD, SEE MATH MODEL FOR PRECISE TOOL PATH DATA.
- SEAL TO BE USED IN CONJUNCTION WITH STRAIN RELIEF 12129030, OR EQUIVALENT.
- MATING FEMALE CONNECTOR 12129025, OR EQUIVALENT.
- THIS PART ALSO USED WITH RETAINER 12129021, TERMINAL 12084912, CAVITY PLUG(S) 12129557, C.P.A. 12110299, AND WHEN FULLY ASSEMBLED MATES TO HEADER CONNECTOR ASSEMBLY 12129006 OR EQUIVALENTS.
- ENVIRONMENTAL SEAL CLASS CODE 3.



THE FOLLOWING APPLY UNLESS OTHERWISE SPECIFIED:

PERFECT FORM REQUIRED FOR FEATURES OF SIZE AT MMC. TRUE POSITION TOLERANCES, AND RELATED DATUMS, APPLY AT CONDITION OF SIZE INDICATED IN FEATURE CONTROL FRAME. OTHER GEOMETRIC TOLERANCES, AND RELATED DATUMS, APPLY RFS. SEPARATE TRUE POSITION CALLOUTS MAY BE GAGED SEPARATELY, REGARDLESS OF DATUM REFERENCE, FOR INTERPRETATION, AND APPLICABLE DIMENSIONAL STANDARDS, FOR INTERPRETATION.

GEOMETRIC DRAWING SYMBOLS

FLAT	PROFILE OF A LINE	PARALLEL
STRAIGHT	PERPENDICULAR	TRUE POSITION
ROUND	PROFILE OF A SURFACE	CIRCULAR RUNOUT
CYLINDRICAL	ANGULAR	TOTAL RUNOUT
MAXIMUM MATERIAL CONDITION (MMC)	DIAMETER	BASIC DIMENSION
LEAST MATERIAL CONDITION (LMC)	REGARDLESS OF FEATURE SIZE (RFS)	
PROJECTED TOL. ZONE		

62 PROCESS SENSITIVE DIMENSION

DIMENSIONS ENCLOSED IN () INDICATE REFERENCE DIMENSIONS AND NO TOLERANCE LIMITS ARE ESTABLISHED.

DIMENSIONAL RANGE (MM)	TOLERANCE
FROM 0 TO 20	±0.10
20 TO 30	±0.15
30 TO 70	±0.20
70 TO 100	±0.30
100 TO 150	±0.40
150 TO 200	±0.50

ANGULAR TOLERANCE: ±2°

DWG TYPE: PART DRAWING	
STYLE	
VOLUME (DWG): S_086	DISTR CODE: D
ROUTING: 6901	
UNLESS OTHERWISE SPECIFIED	
THIS DOCUMENT IS IN ACCORDANCE WITH ASME Y14.5M-1994 AS AMENDED BY THE QM GLOBAL DIMENSIONING AND TOLERANCE ASSIGNMENT 1997. ALL GEOMETRIC TOLERANCES AND RELATED DATUMS APPLY RFS. RULE #1 PERFECT FORM AT WHICH DOES NOT APPLY WHEN RELATIONSHIP BETWEEN FEATURES IS ESTABLISHED BY ORIENTATION OR LOCATION TOLERANCES. SEPARATE POSITION CALLOUTS MAY BE GAGED SEPARATELY, REGARDLESS OF DATUM REFERENCE.	
REFERENCE	
THIRD ANGLE PROJECTION	DO NOT SCALE
USE MATH DATA	

DELPHI

DELPHI PACKARD ELECTRIC SYSTEMS
MARIETTA, GA

DR: D.K. JENKINS	DATE: 18FE91
APVD2: J. COLDSNOW	12AP91
APVD3: C. REIDER	17AP91
APVD4:	
APVD5:	

MATERIAL: RO072819 SILICONE COMPOUND

DRAWING NAME: SEAL CONN 100W GRN

DRAWING NUMBER: 12129026

SIZE: A0 SCALE: 5:1 FRAME NO: 1 OF 1 SHEET NO: 1 OF 1 REV: R CB