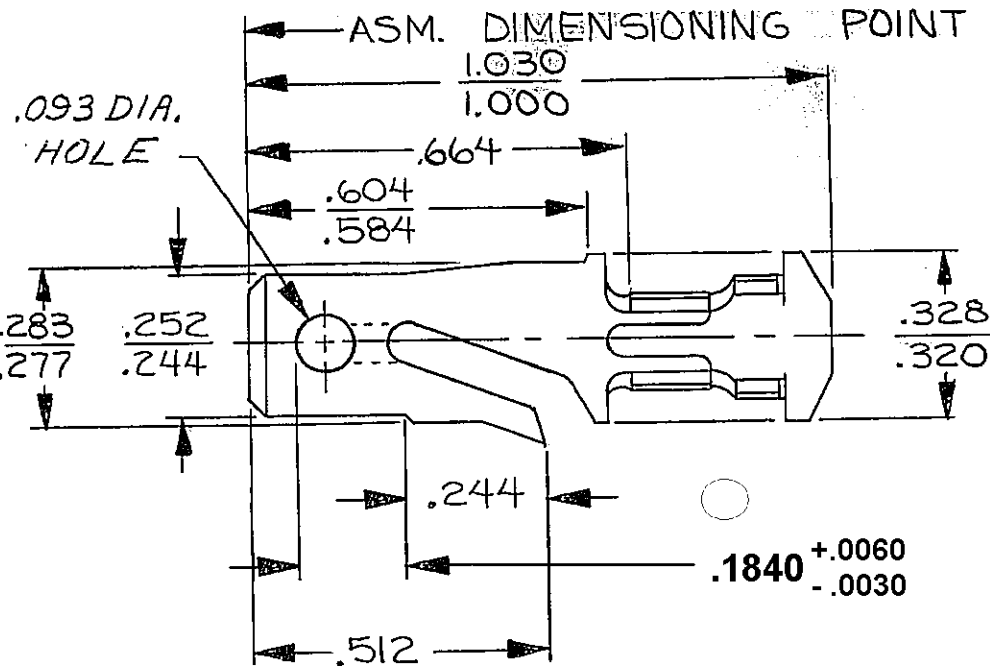


D

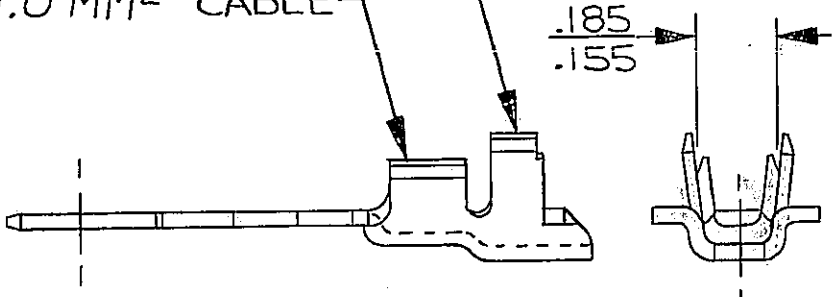
THIS DRAWING AND DESIGN HEREON CONSTITUTES A PROPRIETARY DESIGN OF PACKARD ELECTRIC DIVISION AND IS NOT TO BE DUPLICATED OR REPRODUCED WITHOUT AUTHORITY OF PACKARD ELECTRIC DIVISION.

DO NOT SCALE



INSULATION WINGS FOR 3.97 MM MAX. INSUL. DIA.

CONDUCTOR WINGS FOR 2.0-1.0 MM<sup>2</sup> CABLE



C02D2142

DRAWING NO. 1201 0106

DATE	SYM.	REVISION RECORD	AUTH	DR.	CK.
130C78	A.	RELEASED	68005	PRW	JM
045E79	-	CABLE REVISED TO METRIC	70645	RAP	JS
015E82	-	PICTURE REVISED	82155	T.W.	JM
01AU83	B	REV. SYM. ADVANCED	86126	MS	JM
05DE05	B4	ADDED DIM .1840 +.0060/-.0030 AND REMOVED DIM (1 PLC)	27427	CCV	JVM

P.N.C. CODE

CODE NO. 6900	TOLERANCE UNLESS OTHERWISE SPECIFIED DECIMAL THREE PLACE ± .005 TWO PLACE ± .01 ANGULAR ± 2°
QC	
DWG. DATE 130C78	SCALE NONE
EST. NO.	DR. Robert R Williams 160C78
REFERENCE NO.	CK. J. Mudrey DATE 160C78
2962874 "D" SIZE - SHT. #	APPR. J. Miller DATE 160C78

MATERIAL SPEC. .0320 THK. SAE CA 260 BRASS - 1/2 HARD - TIN PLATED

NAME TERMINAL MALE - '56 SERIES

PART NO. 1201 0106  
OUTLINE DRAWING

SIZE A

PACKARD ELECTRIC

PACKARD ELECTRIC DIVISION  
GENERAL MOTORS CORPORATION  
WARREN, OHIO

99  
- 0 -  
63R  
74R  
330R  
350R  
PEB-A  
900R  
952R  
1174R  
1374R  
1146  
2400 R

122