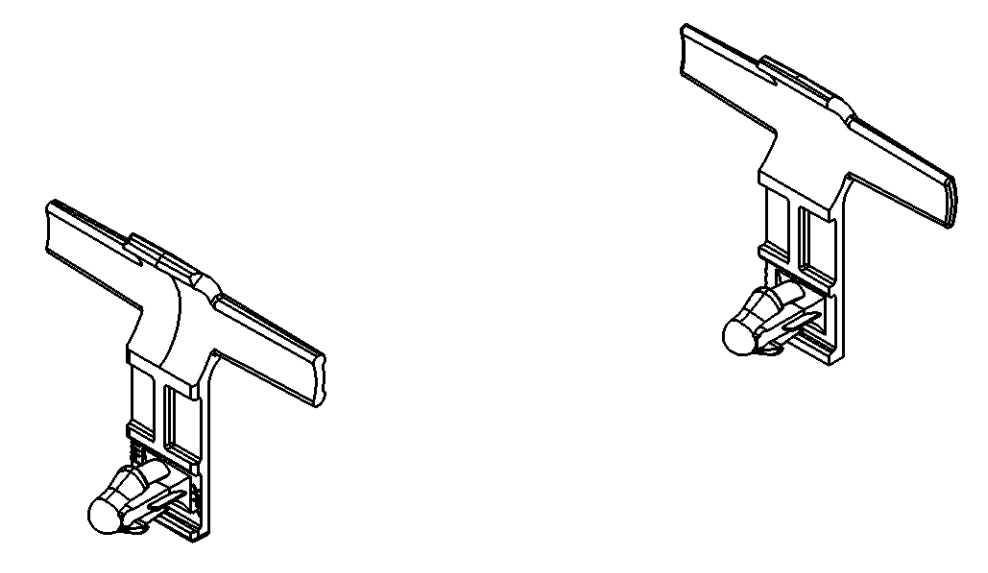
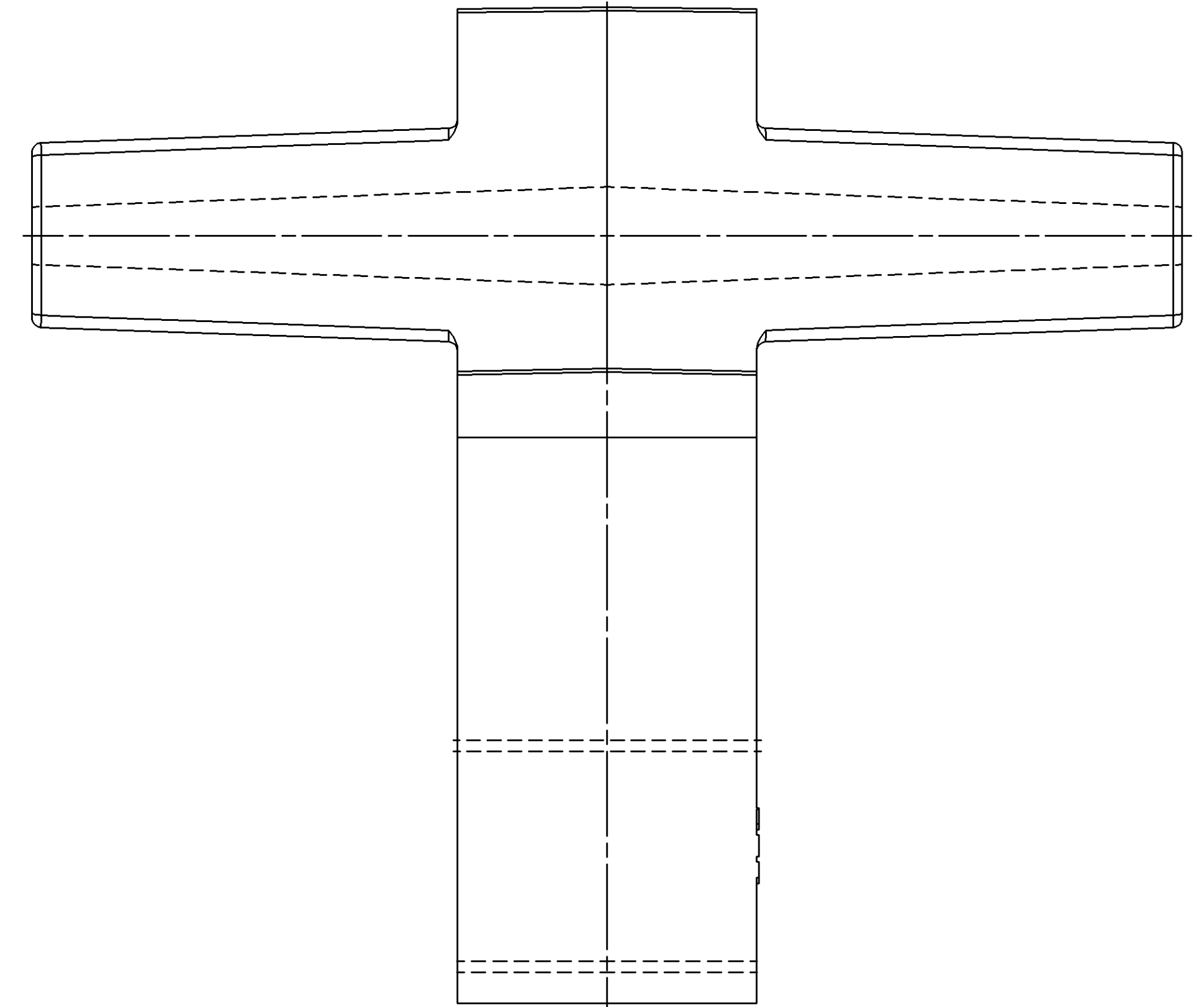
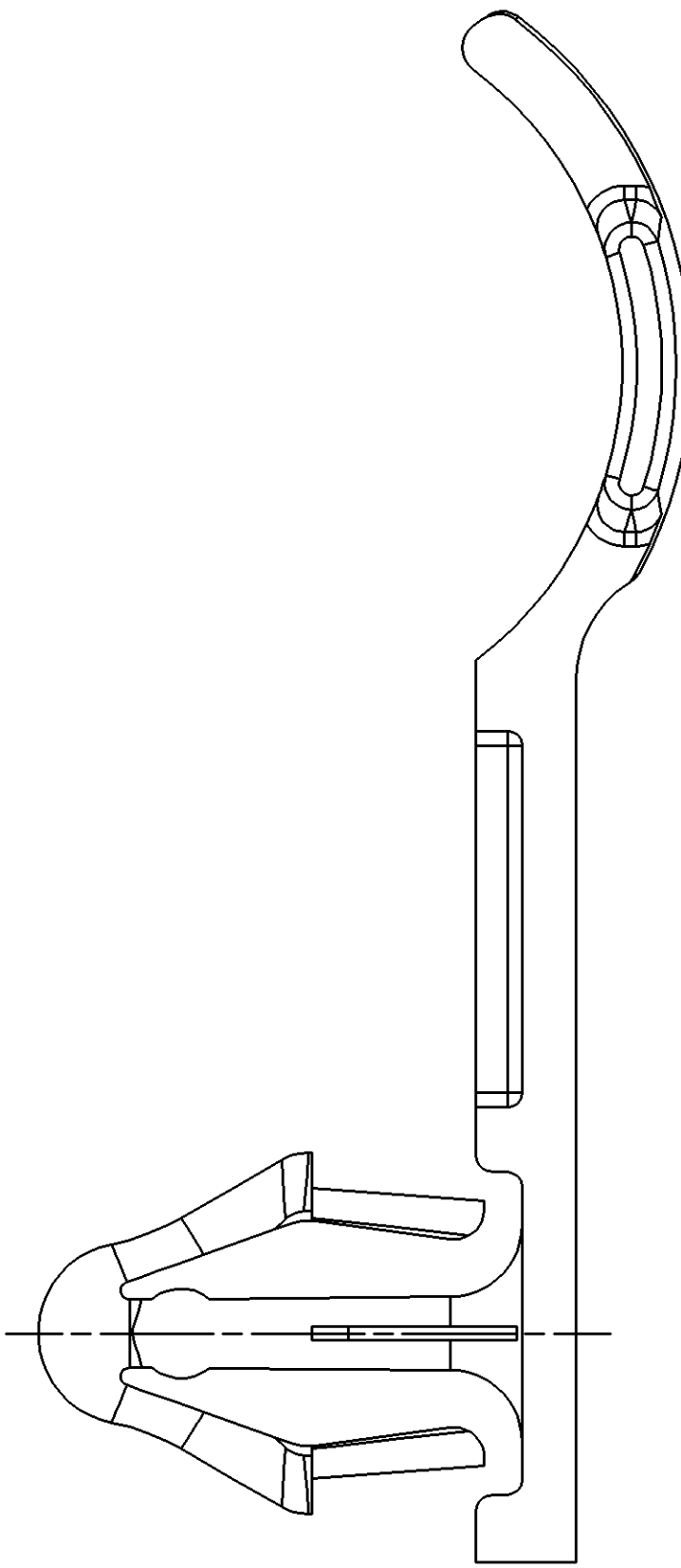
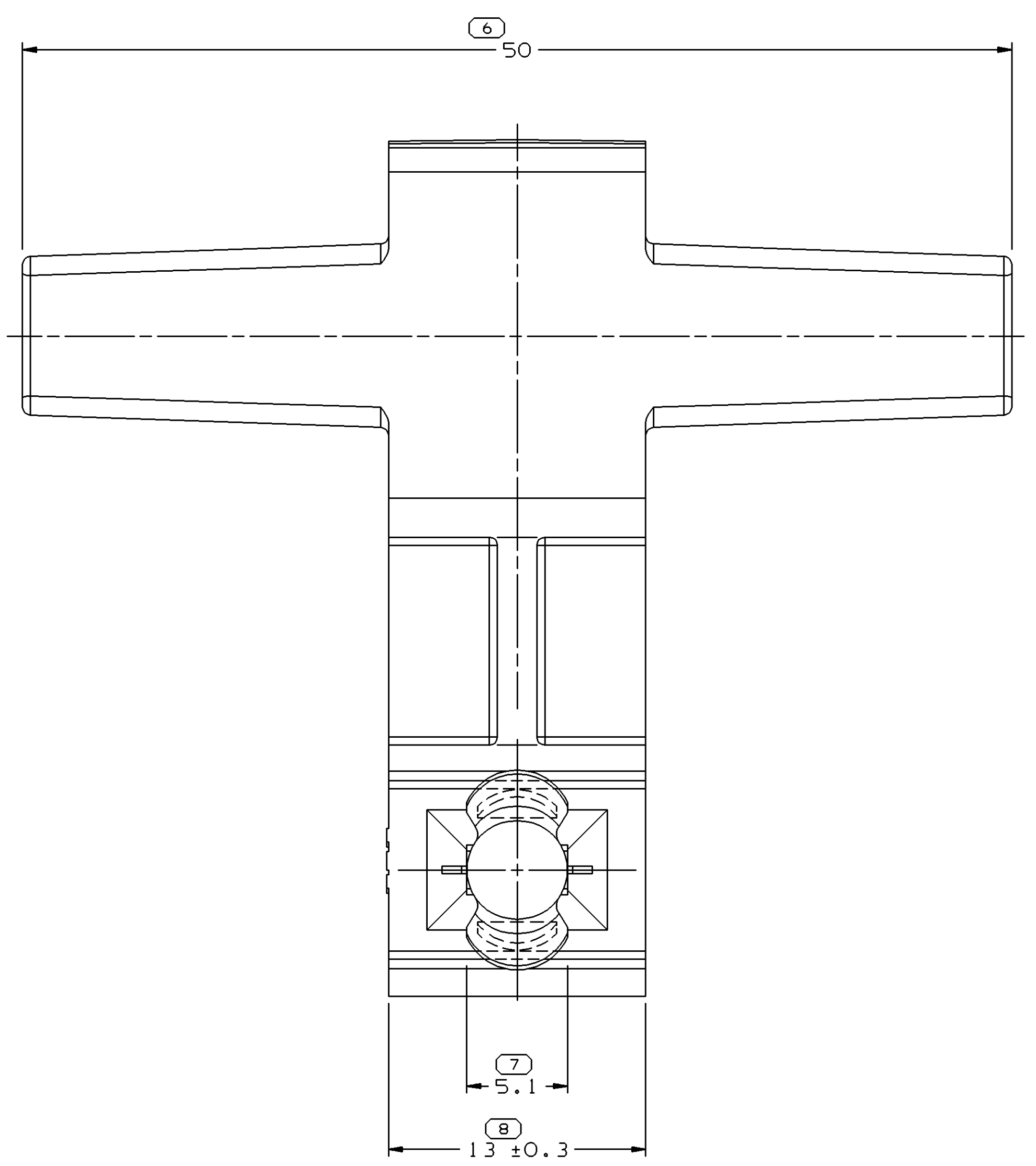
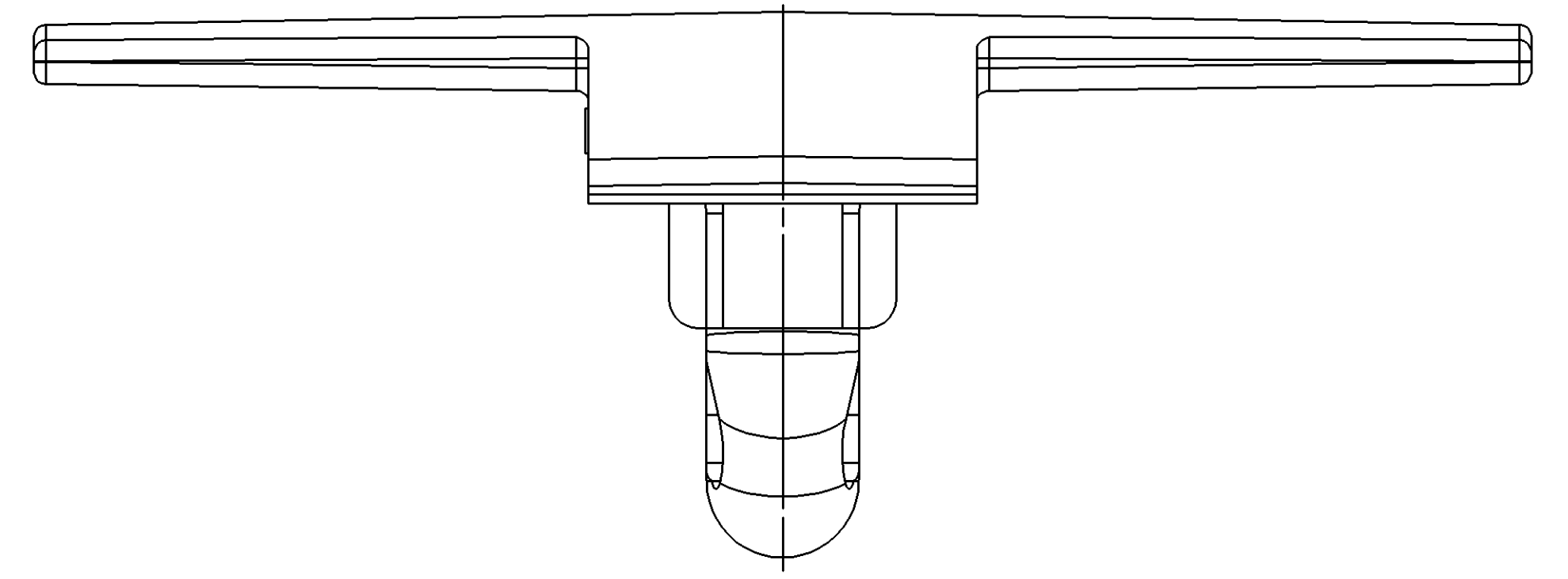
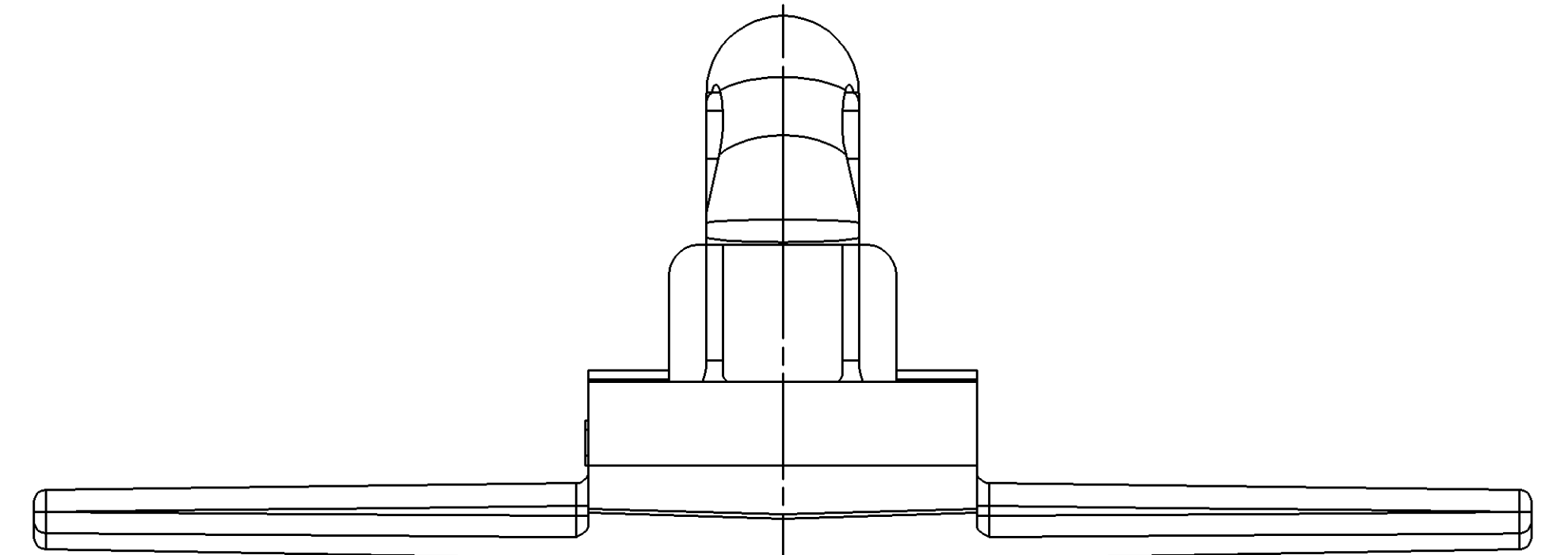
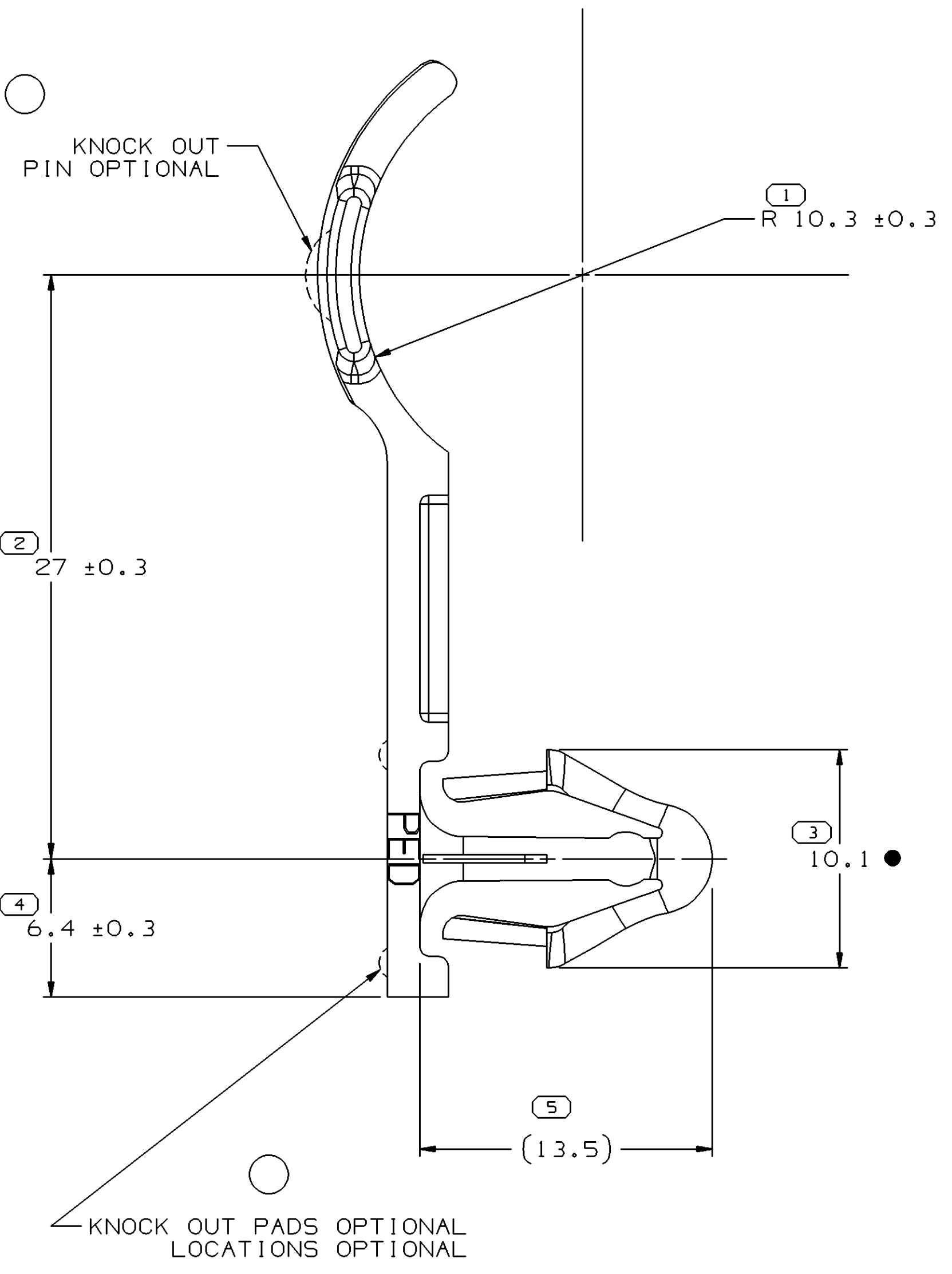


SYMBOL DEFINITION		MISSING NUMBERS	
THE NUMBER INSIDE THE SYMBOL CORRESPONDS TO THE NUMBER ON THE INSPECTION REPORT FOR THIS DRAWING/PART NUMBER	TOTAL NO. OF SYMBOLS ON DRAWING	8	
	LAST NO. USED	8	

DWO STATUS				REVISION HISTORY				AUTH	DR	APVD	APVD
DATE	STG	REV	N/P	CHG	ZONE						
06MFR01	R	A5	-	-		REDRAWN TO PD/TOD & ADDED OPTIONAL CONSTRUCTION	207555	CJC	CJC	ET	
05FE03	R	02	-	-		ADDED DELPHI LOGO NOTE & RECYCLE CODE NOTE AND REVISED MAT'L SPEC	236538	RH	RH	ET	
22MY03	R	02	AA	-		ADDED NOTES (2 PLCS)	241523	JYD	JYD	FR	

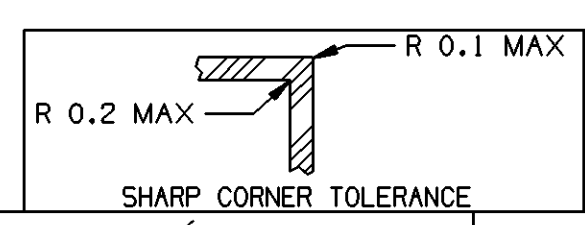


OPTIONAL CONSTRUCTION PREFERRED



NOTES

- UNLESS OTHERWISE SPECIFIED AND/OR INDICATED: DIMENSIONS ARE TO FACE OF VIEW SHOWN AND AUTOMATICALLY ROUNDED BY COMPUTER FOR INSPECTION. (SEE MATH MODEL FOR PRECISE DIMENSIONS.) FOR ALL OTHER DIMENSIONS NOT SHOWN BUT REQUIRED FOR TOOL BUILD, SEE MATH MODEL FOR PRECISE TOOL PATH DATA.
- RECOMMENDED HOLE SIZE  $\phi$  6.1-6.6 HOLE IN 3.8 MAX THICK STOCK.
- RECOMMENDED BUNDLE SIZE  $\phi$  20
- DIMENSIONS MARKED WITH ● MAY VARY -0.64 DUE TO BOW.
- MATERIAL RECYCLING CODE >PP< PER SAE J1344. (2.3)X(0.1) RAISED CHARACTERS AS SHOWN TO BE LOCATED ON ANY EXTERIOR SURFACE. OPTIONAL CONSTRUCTION TO BE NO MATERIAL RECYCLING CODE.
- (2.3)X(0.1) RAISED DELPHI CORPORATE BRAND TO BE LOCATED ON ANY EXTERIOR SURFACE, PREFERABLY VISIBLE AT FINAL ASSEMBLY. OPTIONAL CONSTRUCTION TO BE "PED" OR NO LOGO.



DIMENSIONAL RANGE (MM)		TOLERANCE UNLESS OTHERWISE SPECIFIED	
FROM	TO		
> 0	> 20	±0.15	±0.2
> 20	> 30	±0.2	±0.3
> 30	> 70	±0.3	±0.4
> 70	> 100	±0.4	±0.5
> 100	> 150	±0.5	±0.6
> 150	> 200	±0.6	±0.8
> 200	> 250	±0.8	±1
> 250	> 300	±1	±1.2
> 300	> 400	±1.2	±1.5

DWO TYPE		PART DRAWING	
STYLE	1,873	DISTR CODE	D
VOLUME (COP)	6900		
ROUTING			

**DELPHI**  
DELPHI PACKARD ELECTRIC SYSTEMS  
WARREN, OH

DR	DATE
APVD1 GREGG FUOSS	28AP88
APVD2 F. HESTON	11MY88
APVD3 K. PHILLIPS	12MY88
APVD4	
APVD5	

UNLESS OTHERWISE SPECIFIED  
THIS DOCUMENT IS IN ACCORDANCE WITH ASME Y14.5M-1994  
AS AMENDED BY THE 2003 DIMENSIONING AND TOLERANCING ADDENDUM - 1997. ALL GEOMETRIC TOLERANCES AND RELATED DATUM APPLY TO ALL DIMENSIONS UNLESS OTHERWISE SPECIFIED.  
MDCI DOES NOT APPLY WHEN RELATIONSHIP BETWEEN FEATURES IS ESTABLISHED BY ORIENTATION OR LOCATION TOLERANCES. SEPARATE POSITION CALLOUTS MAY BE GAGED SEPARATELY, REGARDLESS OF DATUM REFERENCE.  
ALL DIMENSIONS ARE IN MILLIMETERS

DRAWING NAME: MOUN CLIP 6.60 HARNESS  
DRAWING NUMBER: 12084924  
SIZE: A0 SCALE: 5:1 FRAME NO: 1 OF 1 SHEET NO: 1 OF 1 REV: 02 AA