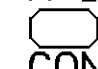
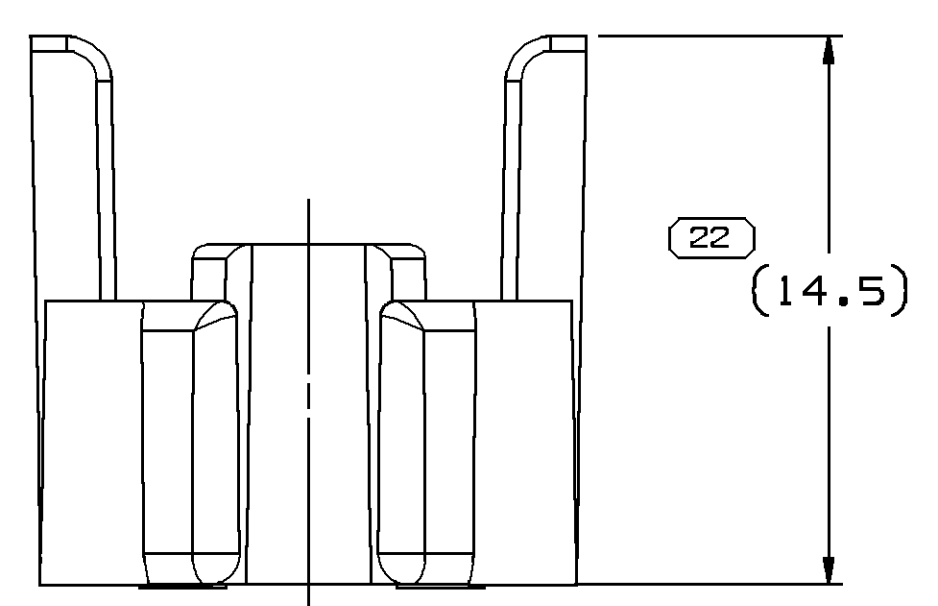
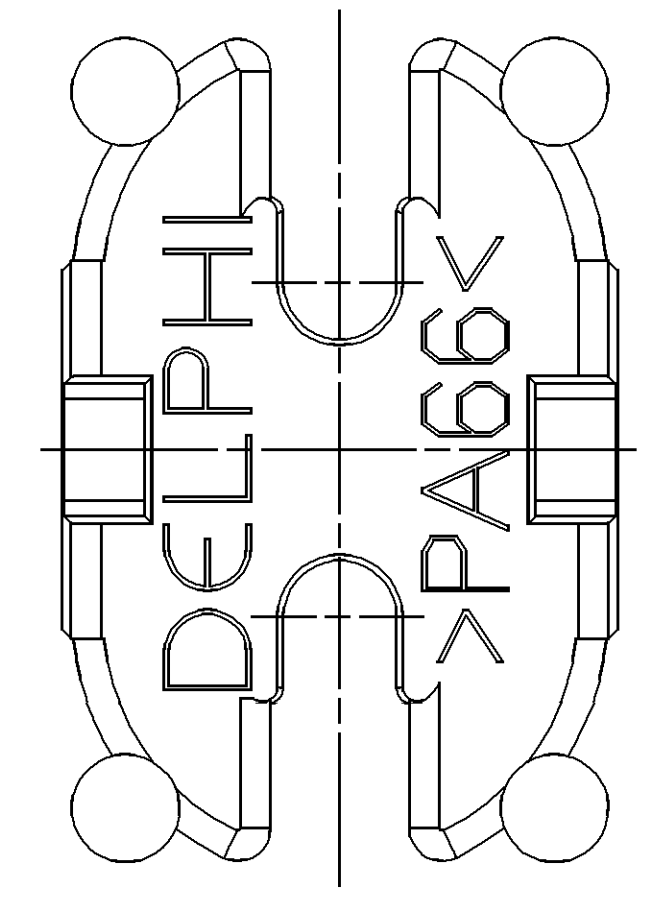
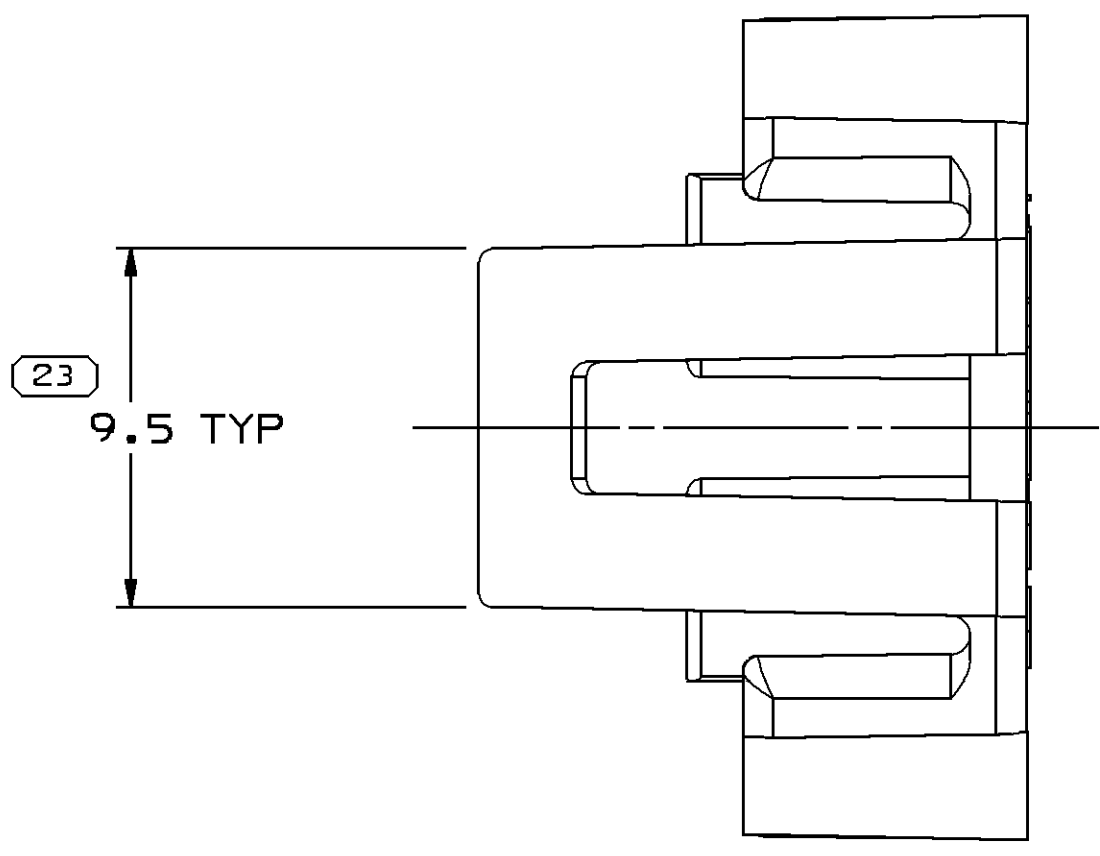
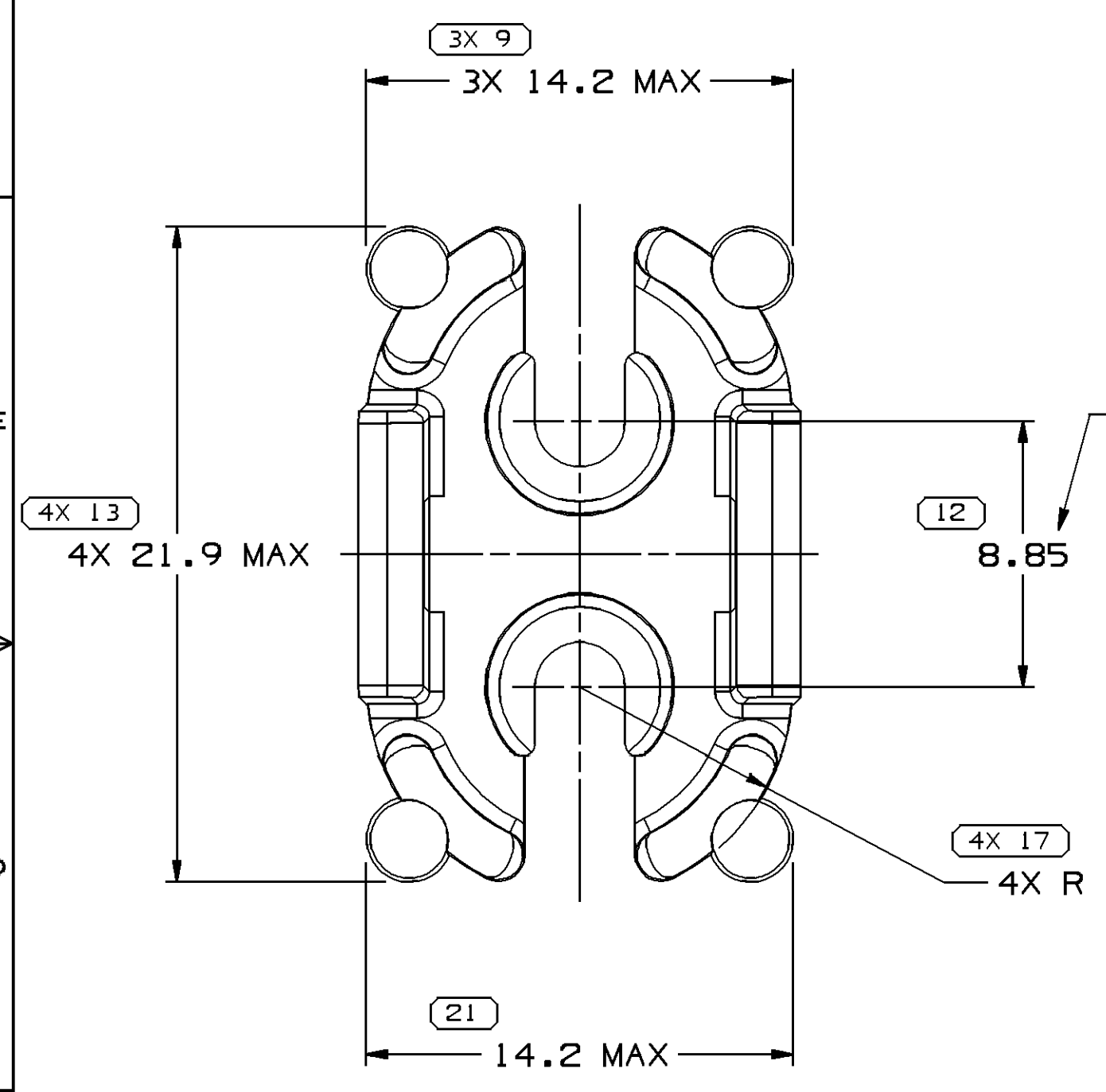
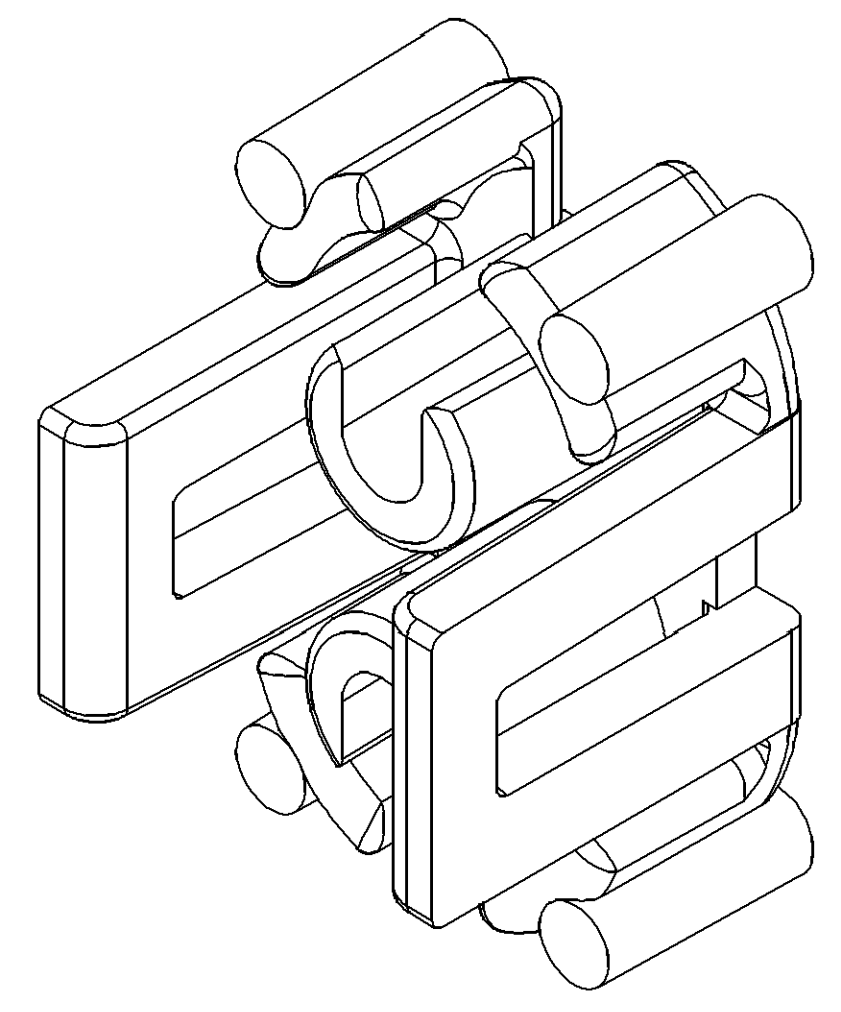
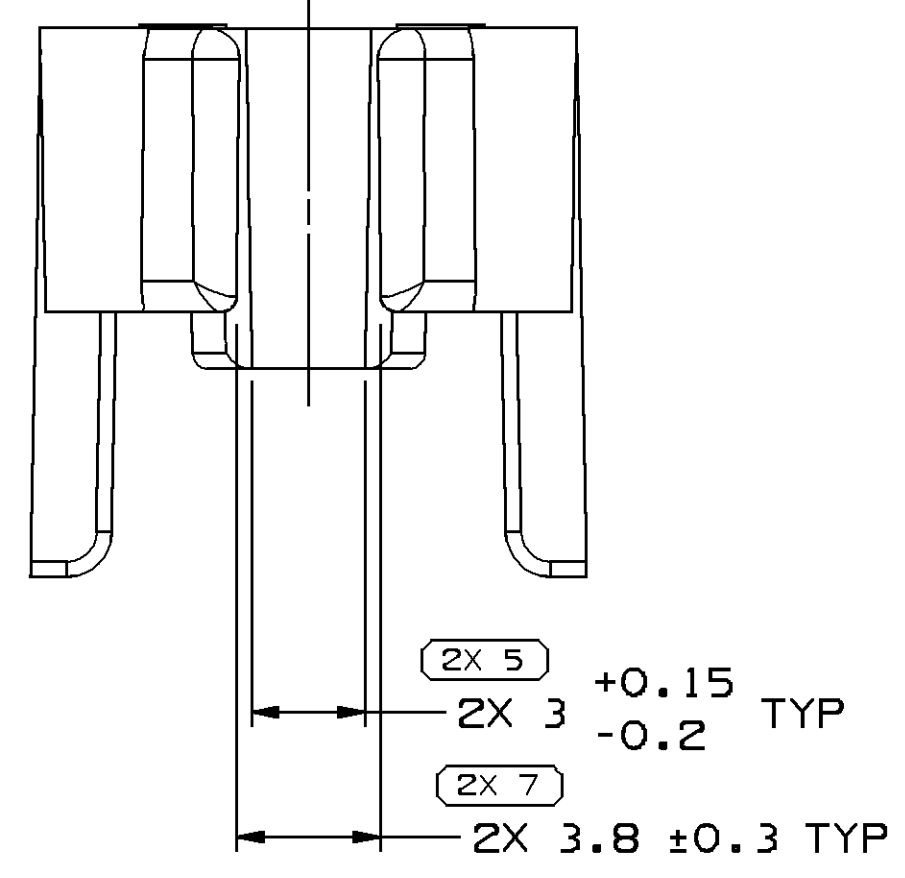


SYMBOL DEFINITION		MISSING SYMBOLS	
A DIMENSION WITHOUT AN INSPECTION REPORT SYMBOL  DOES NOT REQUIRE INSPECTION. IT MAY BE CONTROLLED ON THE INDIVIDUAL COMPONENT DRAWING.	TOTAL NO OF INSPECTIONS REQUIRED	19	1-4 6 8 10-11 14-16 18-20
	LAST NO. USED	23	

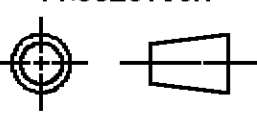
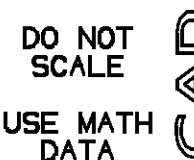

DWG STATUS				ZONE	REVISION HISTORY	AUTH	DR	APVD1	APVD2
DATE	STG	REV	N/P						
02FE00	R	C1	-	-	CLEARED REV COLUMN & REDRAWN TO PD	227330	CRW	PHC	RHC
16JL03	R	C2	-	-	REVISED NOTE	243563	JYD	JYD	EM
18JL03	R	04	-	-	MAT'L SPEC WAS M3596001 PA6 NAT	243618	RVP	RVP	RC
200C03	R	04	AA	-	REMOVED RADIUS - 4 PLCS, ADDED NOTE TO DIM #12 "8.4 MIN. DUE TO BOW". REMOVED WITNESS LINES.	247024	LMB	LMB	TM
290C03	R	04	AB	-	REMOVED SYMBOL #23.	248098	LMB	LMB	TM
31MY05	R	04	AC	-	ADDED NOTE 5	268650	GLG	JAA	MDM
21DE05	R	05	-	-	M3592024 WAS M3592002	275104	MM	MM	ET
06FE07	R	05	AA	-	REVISED PROCESS SENSITIVE DIMENSION	400419	MM	MM	TM



- NOTES**
- UNLESS OTHERWISE SPECIFIED AND/OR INDICATED:  
DIMENSIONS ARE TO FACE OF VIEW SHOWN AND AUTOMATICALLY ROUNDED BY COMPUTER FOR INSPECTION (SEE MATH MODEL FOR PRECISE DIMENSIONS). FOR ALL OTHER DIMENSIONS NOT SHOWN BUT REQUIRED FOR TOOL BUILD, SEE MATH MODEL FOR PRECISE TOOL PATH DATA.
  - MATERIAL RECYCLING CODE PER ISO 11469. (2.3)X(0.1) RAISED CHARACTERS AS SHOWN TO BE LOCATED ON ANY EXTERIOR SURFACE. OPTIONAL CONSTRUCTION TO BE NO MATERIAL RECYCLING CODE.
  - MATING COMPONENTS OR EQUIVALENT:  
CONNECTOR 12124819
  - (2.3)X(0.1) RAISED DELPHI CORPORATE BRAND TO BE LOCATED ON ANY EXTERIOR SURFACE, PREFERABLY VISIBLE AT FINAL ASSEMBLY. OPTIONAL CONSTRUCTION TO BE "PED" OR NO LOGO.
  - MAX. CABLE DIA. THAT WILL FIT PART IS  $\varnothing 2.75$

DIMENSIONAL RANGE (MM)		CHART ET	
FROM	TO	>0	>300
>0	>20	>30	>100
>20	>30	>70	>150
>30	>70	>100	>200
>70	>100	>150	>250
>100	>150	>200	>300
>150	>200	>250	>400

TOLERANCE UNLESS OTHERWISE SPECIFIED  
 ±0.15 | ±0.2 | ±0.3 | ±0.4 | ±0.5 | ±0.6 | ±0.8 | ±1 | ±1.2  
 ANGULAR TOLERANCE ±2°

DWG TYPE	
PART DRAWING	
STYLE	
VOLUME (C/P)	DISTR CODE
1.286	D
UNLESS OTHERWISE SPECIFIED	
THIS DOCUMENT IS IN ACCORDANCE WITH ASME Y14.5M-1994 AS AMENDED BY THE 0M GLOBAL DIMENSIONING AND TOLERANCING ADDENDUM - 1997. ALL GEOMETRIC TOLERANCES AND RELATED DATUMS APPLY RFS. RULE #1 (PERFECT FORM AT MMVC) DOES NOT APPLY WHEN RELATIONSHIP BETWEEN FEATURES IS ESTABLISHED BY ORIENTATION OR LOCATION TOLERANCES. SEPARATE POSITION CALLOUTS MAY BE GAGED SEPARATELY, REGARDLESS OF DATUM REFERENCE. ALL DIMENSIONS ARE IN MILLIMETERS	
REFERENCE	
THIRD ANGLE PROJECTION	DO NOT SCALE
	
USE MATH DATA	

**DELPHI**  
 DELPHI PACKARD ELECTRICAL/ELECTRONIC ARCHITECTURE  
 WARREN, OH

DR	DATE
APVD1 C. WYLER	02FE00
APVD2 P.H. CASTRILLON	15FE00
APVD3 R. CORZAS	11N002
APVD4	
APVD5	

UNLESS OTHERWISE SPECIFIED  
 SUBSTANCES OF CONCERN AND RECYCLED CONTENT PER DELPHI 10945001

MATERIAL  
 M3592024 PA66 HS IM CRM

DRAWING NAME  
 LOCK SECONDARY TPA M/P CRM

DRAWING NUMBER  
 12146088

SIZE	SCALE	FRAME NO	SHEET NO	STG	REV	N/P
A1	5:1	1 OF 1	1 OF 1	R	05	AA