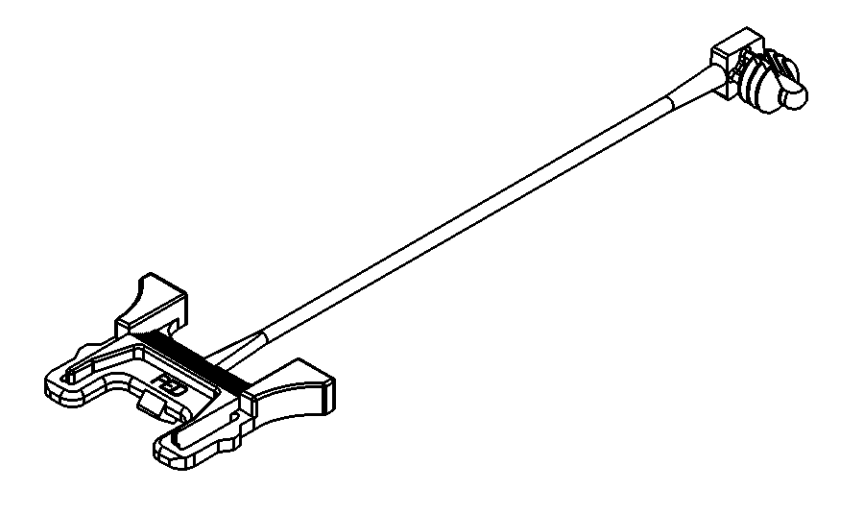
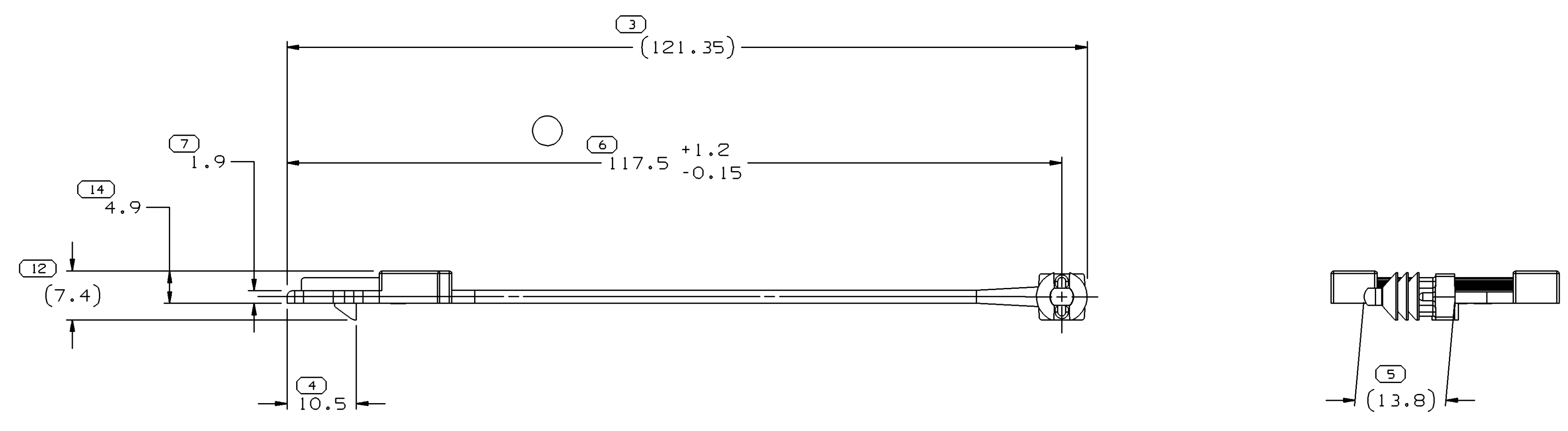
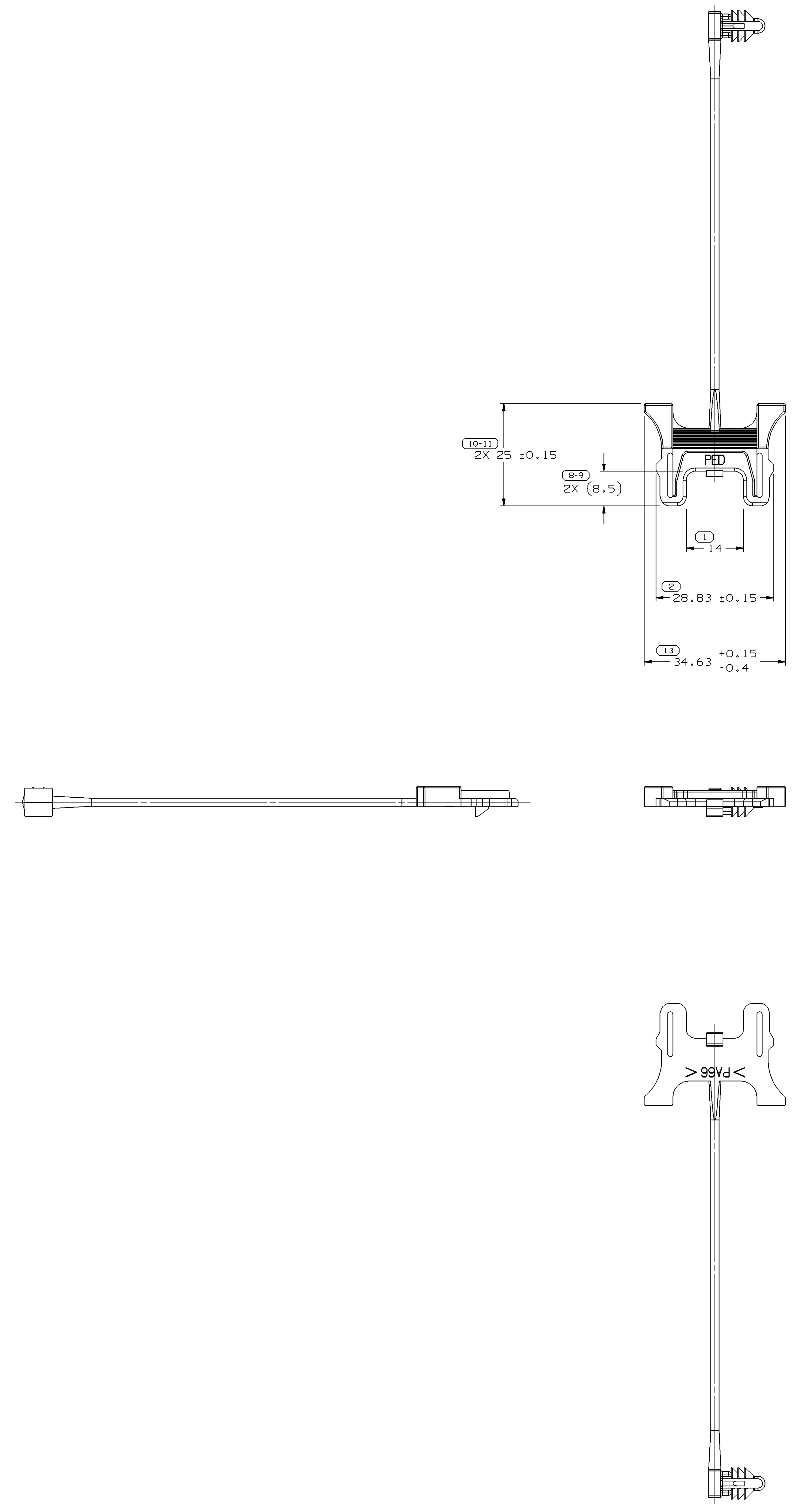


SYMBOL DEFINITION		MISSING NUMBERS	
A DIMENSION WITHOUT AN INSPECTION REPORT SYMBOL () DOES NOT REQUIRE INSPECTION. IT MAY BE CONTROLLED ON AN INDIVIDUAL COMPONENT DRAWING.	TOTAL NO. OF SYMBOLS ON DRAWING	12	
	LAST NO. USED	14	

DWG STATUS				REVISION HISTORY				AUTH	DR	APVD	APVD
DATE	STG	REV	N/P	CHG	ZONE						
17MRO5	R	C3	-	-							
CLEARED REV COL. UPDATED MAT'L SPEC AND 117 +1.2/-0.15 WAS 117 +0.57/-0.15							266135	CCV	JAA	MB	



- NOTES
- UNLESS OTHERWISE SPECIFIED AND/OR INDICATED:
DIMENSIONS ARE TO FACE OF VIEW SHOWN AND AUTOMATICALLY ROUNDED BY COMPUTER FOR INSPECTION (SEE MATH MODEL FOR PRECISE DIMENSIONS). FOR ALL OTHER DIMENSIONS NOT SHOWN BUT REQUIRED FOR TOOL BUILD, SEE MATH MODEL FOR PRECISE TOOL PATH DATA.
 - MATERIAL RECYCLING CODE PER ISO 11469. (2.3)X(0.1) CHARACTERS AS SHOWN TO BE LOCATED ON ANY EXTERIOR SURFACE.
 - (2.3)X(0.1) DELPHI CORPORATE BRAND TO BE LOCATED ON ANY EXTERIOR SURFACE, PREFERABLY VISIBLE AT FINAL ASSEMBLY. OPTIONAL CONSTRUCTION FOR EXISTING TOOLING MAY BE "PED".

DWG TYPE PART DRAWING		DATE																																																																								
STYLE	DISTR CODE	DATE																																																																								
VOLUME (COP) 1,975	D	DR	DATE																																																																							
UNLESS OTHERWISE SPECIFIED																																																																										
THIS DOCUMENT IS IN ACCORDANCE WITH ASME Y14.5M-1994 AS AMENDED BY THE 2003 DIMENSIONING AND TOLERANCING ADDENDUM (2003). SEPARATE PATTERNING OF FEATURES MAY BE GIVEN SEPARATELY. REFERENCE TO DATUM REFERENCES.																																																																										
ALL DIMENSIONS ARE IN MILLIMETERS																																																																										
REFERENCE		DATE																																																																								
<p>(3) PROCESS SENSITIVE DIMENSION</p> <p>DIMENSIONS ENCLOSED IN () INDICATE RETRIEVE DIMENSIONS AND NO TOLERANCE LIMITS ARE ESTABLISHED</p>		<p>THIRD ANGLE PROJECTION</p> <p>DO NOT SCALE</p> <p>USE MATH DATA</p>																																																																								
<table border="1"> <thead> <tr> <th>DIMENSIONAL RANGE (MM)</th> <th>CHART</th> <th>ET</th> </tr> </thead> <tbody> <tr> <td>FROM > 0</td> <td>> 20</td> <td>> 30</td> </tr> <tr> <td>TO > 20</td> <td>> 30</td> <td>> 70</td> </tr> <tr> <td></td> <td>> 70</td> <td>> 100</td> </tr> <tr> <td></td> <td>> 100</td> <td>> 150</td> </tr> <tr> <td></td> <td>> 150</td> <td>> 200</td> </tr> <tr> <td></td> <td>> 200</td> <td>> 250</td> </tr> <tr> <td></td> <td>> 250</td> <td>> 300</td> </tr> <tr> <td></td> <td>> 300</td> <td>> 400</td> </tr> <tr> <td colspan="3">TOLERANCE UNLESS OTHERWISE SPECIFIED</td> </tr> <tr> <td>±0.15</td> <td>±0.2</td> <td>±0.3</td> </tr> <tr> <td>±0.4</td> <td>±0.5</td> <td>±0.6</td> </tr> <tr> <td>±0.8</td> <td>±1</td> <td>±1.2</td> </tr> <tr> <td colspan="3">ANGULAR TOLERANCE ±2°</td> </tr> </tbody> </table>		DIMENSIONAL RANGE (MM)	CHART	ET	FROM > 0	> 20	> 30	TO > 20	> 30	> 70		> 70	> 100		> 100	> 150		> 150	> 200		> 200	> 250		> 250	> 300		> 300	> 400	TOLERANCE UNLESS OTHERWISE SPECIFIED			±0.15	±0.2	±0.3	±0.4	±0.5	±0.6	±0.8	±1	±1.2	ANGULAR TOLERANCE ±2°			<p>DELPHI</p> <p>DELPHI PACKARD ELECTRIC SYSTEMS WARREN, OH</p> <table border="1"> <tr> <td>APVD1</td> <td>OSCAR OCHOA</td> <td>02MY96</td> </tr> <tr> <td>APVD2</td> <td>R. RAMOS S.</td> <td>02MY96</td> </tr> <tr> <td>APVD3</td> <td>C. SCHAEFFER</td> <td>13MY96</td> </tr> <tr> <td>APVD4</td> <td></td> <td></td> </tr> <tr> <td>APVD5</td> <td></td> <td></td> </tr> </table> <p>SUBSTANCES OF CONCERN AND RECYCLED CONTENT PER DELPHI 10949001</p> <p>MATERIAL M3592004 PA66 HS 1M RED</p> <p>DRAWING NAME LOCK CPA MIC/P 32 RED</p> <p>DRAWING NUMBER 12177289</p> <table border="1"> <tr> <td>SIZE</td> <td>SCALE</td> <td>FRAME NO</td> <td>SHEET NO</td> <td>STG</td> <td>REV</td> <td>N/P</td> </tr> <tr> <td>A0</td> <td>2:1</td> <td>1 OF 1</td> <td>1 OF 1</td> <td>R</td> <td>C3</td> <td>-</td> </tr> </table>		APVD1	OSCAR OCHOA	02MY96	APVD2	R. RAMOS S.	02MY96	APVD3	C. SCHAEFFER	13MY96	APVD4			APVD5			SIZE	SCALE	FRAME NO	SHEET NO	STG	REV	N/P	A0	2:1	1 OF 1	1 OF 1	R	C3	-
DIMENSIONAL RANGE (MM)	CHART	ET																																																																								
FROM > 0	> 20	> 30																																																																								
TO > 20	> 30	> 70																																																																								
	> 70	> 100																																																																								
	> 100	> 150																																																																								
	> 150	> 200																																																																								
	> 200	> 250																																																																								
	> 250	> 300																																																																								
	> 300	> 400																																																																								
TOLERANCE UNLESS OTHERWISE SPECIFIED																																																																										
±0.15	±0.2	±0.3																																																																								
±0.4	±0.5	±0.6																																																																								
±0.8	±1	±1.2																																																																								
ANGULAR TOLERANCE ±2°																																																																										
APVD1	OSCAR OCHOA	02MY96																																																																								
APVD2	R. RAMOS S.	02MY96																																																																								
APVD3	C. SCHAEFFER	13MY96																																																																								
APVD4																																																																										
APVD5																																																																										
SIZE	SCALE	FRAME NO	SHEET NO	STG	REV	N/P																																																																				
A0	2:1	1 OF 1	1 OF 1	R	C3	-																																																																				