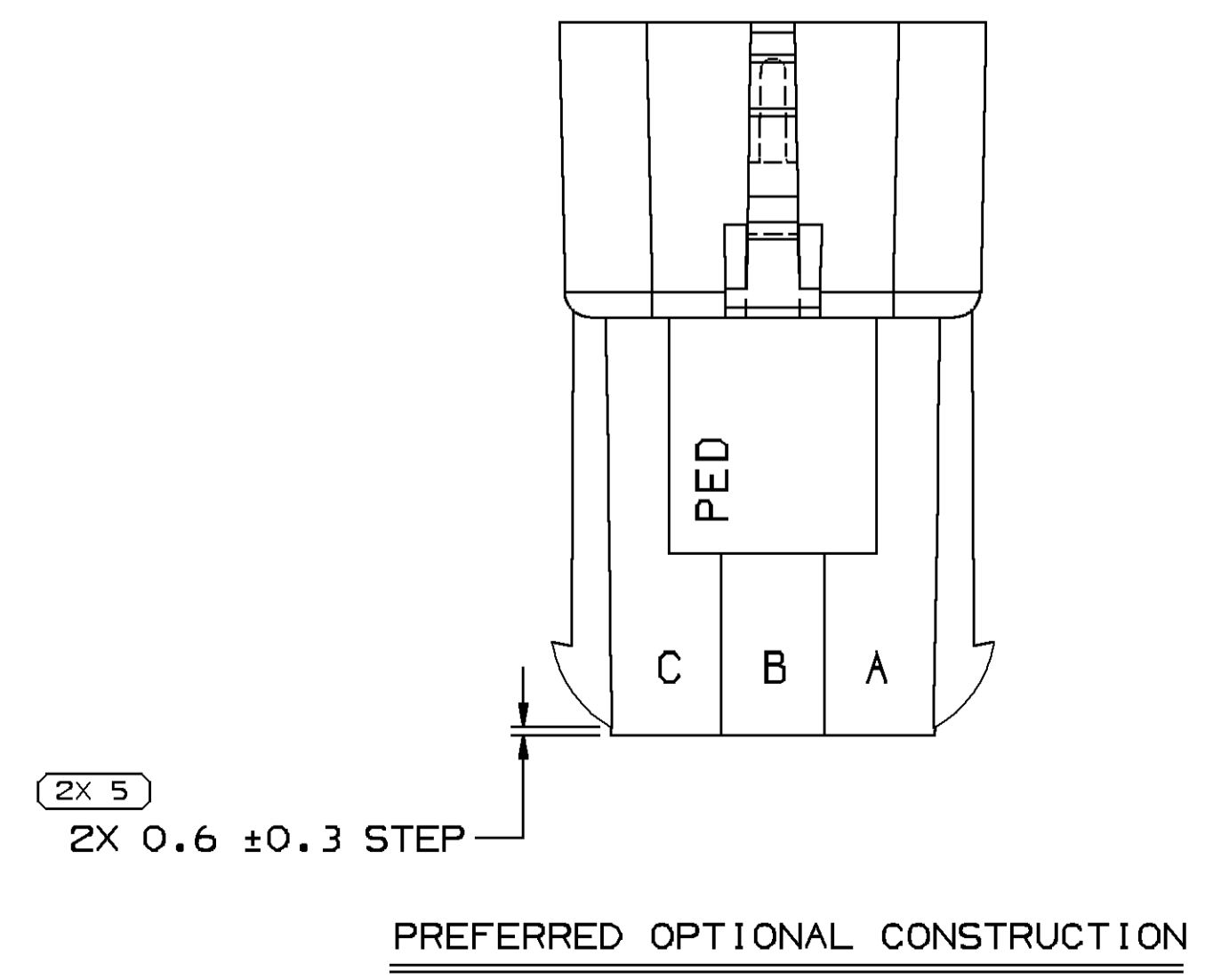
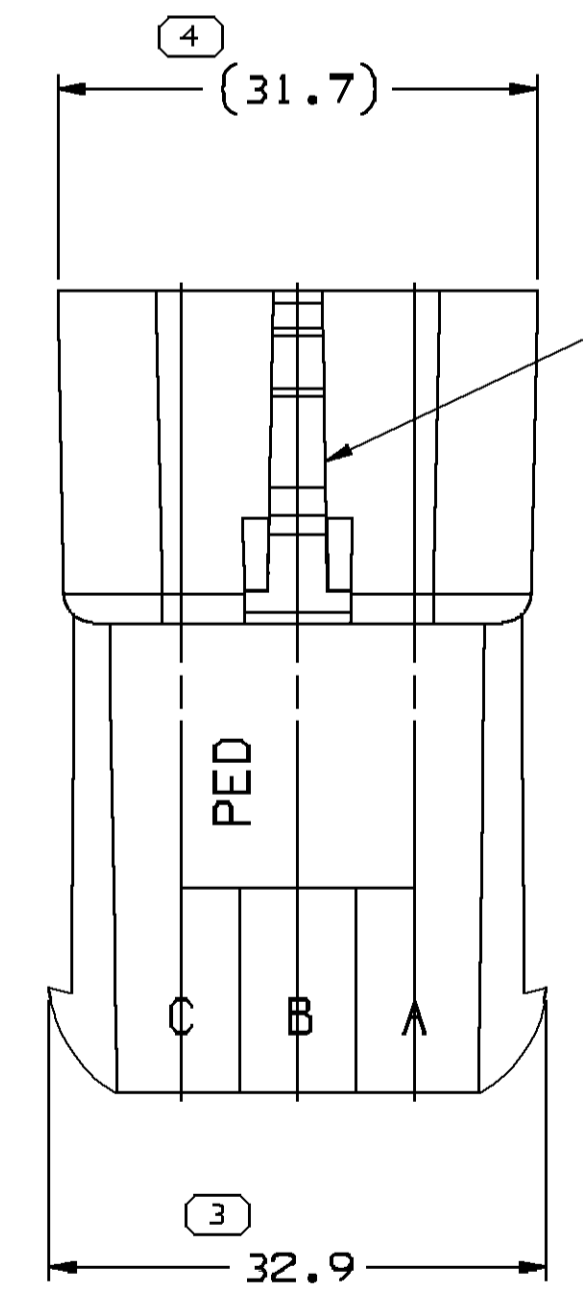
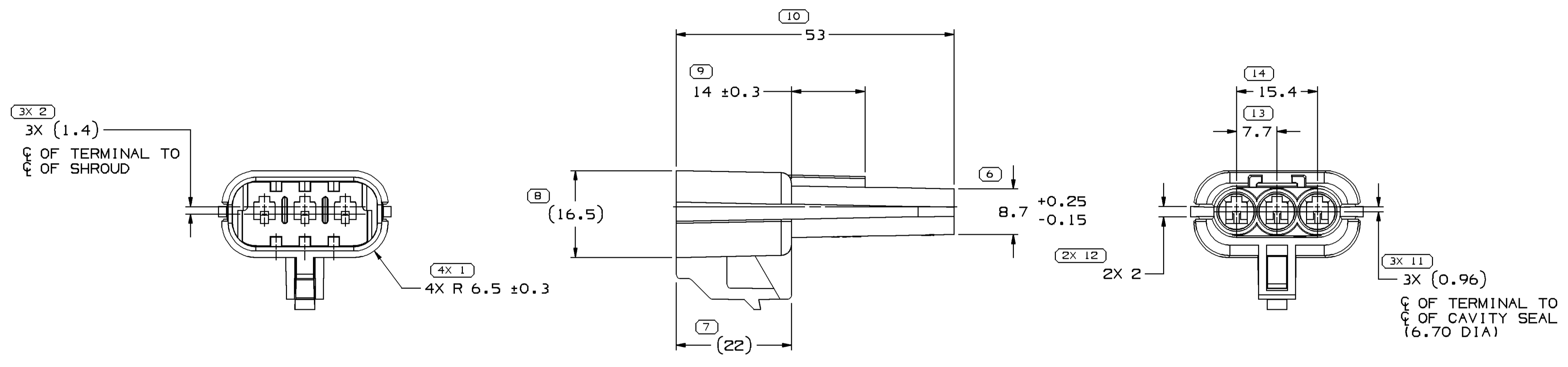
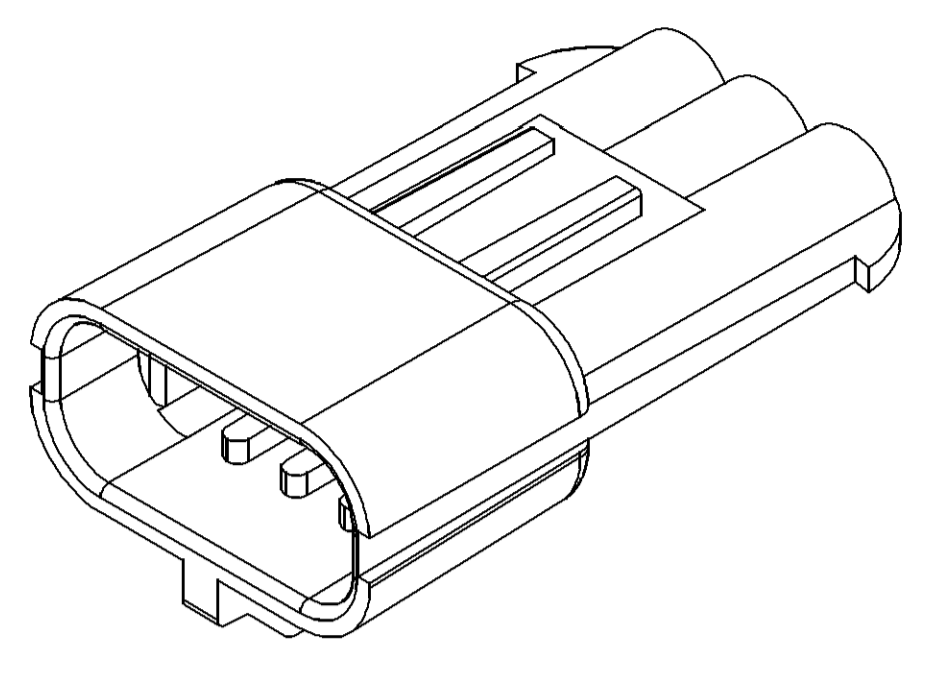
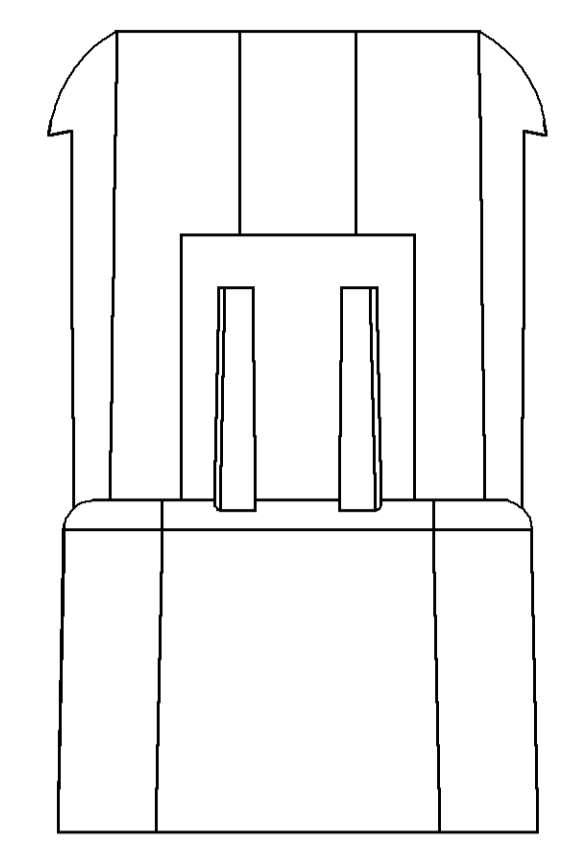


SYMBOL DEFINITION		MISSING SYMBOLS	
A DIMENSION WITHOUT AN INSPECTION REPORT SYMBOL DOES NOT REQUIRE INSPECTION. IT MAY BE CONTROLLED ON THE INDIVIDUAL COMPONENT DRAWING.	TOTAL NO OF INSPECTIONS REQUIRED	NO MISSING SYMBOL NUMBER	23
	LAST NO. USED		14

DWG STATUS				REVISION HISTORY				AUTH	DR	APVD1	APVD2		
DATE	STG	REV	N/P	CHG	ZONE	REVISION HISTORY							
20MY97	R	E7	-	-		CLEARED REVISION COLUMN, REDRAWN, UPDATED AND REVISED NOTES				177541	GMC	GMC	JIB
09SE09	R	EB	-	-		ADDED APPLICATION DRAWING NOTE				408753	AUG	AUG	GEM



NOTES

- UNLESS OTHERWISE SPECIFIED AND/OR INDICATED:
DIMENSIONS ARE TO FACE OF VIEW SHOWN AND AUTOMATICALLY ROUNDED BY COMPUTER FOR INSPECTION (SEE MATH MODEL FOR PRECISE DIMENSIONS). FOR ALL OTHER DIMENSIONS NOT SHOWN BUT REQUIRED FOR TOOL BUILD, SEE MATH MODEL FOR PRECISE TOOL PATH DATA.
- THIS PRODUCT IS NOT CATEGORIZED AS AN APPEARANCE ITEM, MINOR IMPERFECTIONS INCLUDING, BUT NOT LIMITED TO, FLOW MARKS, COLOR BLEMISHES, GATE VESTIGE, AND SOFT FLASH THAT DO NOT AFFECT THE FIT, FORM, OR FUNCTION OF THE PART ARE PERMISSIBLE PER DPNP-4.7-CS-01.
- (2.3)X(0.1) DELPHI CORPORATE BRAND TO BE LOCATED ON ANY EXTERIOR SURFACE, PREFERABLY VISIBLE AT FINAL ASSEMBLY. OPTIONAL CONSTRUCTION FOR EXISTING TOOLING MAY BE "PED".
- FOR APPLICATION DATA SEE THE APPLICATION DRAWING.

DIMENSIONAL RANGE (MM)		CHART E1	
FROM	TO	>	>
> 0	> 20	30	100
> 20	> 30	70	150
> 30	> 70	100	200
> 70	> 100	150	250
> 100	> 150	200	300
> 150	> 200	250	400
> 200	> 250	300	
> 250	> 300	400	

TOLERANCE UNLESS OTHERWISE SPECIFIED

±0.15	±0.2	±0.3	±0.4	±0.5	±0.6	±0.8	±1	±1.2
-------	------	------	------	------	------	------	----	------

ANGULAR TOLERANCE ±2°

DWG TYPE PART DRAWING	
STYLE	
VOLUME (CPI) 8.906	DISTR CODE D
UNLESS OTHERWISE SPECIFIED PERFECT FORM REQUIRED FOR FEATURES OF SIZE AT MMC. TRUE POSITION TOLERANCES AND RELATED DATUMS APPLY AT CONDITION OF SIZE INDICATED IN FEATURE CONTROL FRAME. ALL OTHER GEOMETRIC TOLERANCES AND RELATED DATUMS APPLY RFS. SEPARATE TRUE POSITION CALLOUTS MAY BE GAGED SEPARATELY, REGARDLESS OF DATUM REFERENCE.	
ALL DIMENSIONS ARE IN MILLIMETERS	
REFERENCE	

THIRD ANGLE PROJECTION	DO NOT SCALE
USE MATH DATA	NX

DELPHI
DELPHI PACKARD ELECTRICAL/ELECTRONIC ARCHITECTURE
WARREN, OH

DR	DATE
APVD1 C. M. CAPITO	08MR04
APVD2 C. M. CAPITO	08MR04
APVD3 J. D. DAUGHERTY	03MY04
APVD4	
APVD5	

SUBSTANCES OF CONCERN AND RECYCLED CONTENT PER DELPHI 10949001

MATERIAL
POLYAMIDE COMPOUND BLACK

DRAWING NAME
CONN 3 M M/P 280 SLD

DRAWING NUMBER
15300003

SIZE A1	SCALE 4:1	FRAME NO 1 OF 1	SHEET NO 1 OF 1	STG R	REV EB	N/P -
------------	--------------	--------------------	--------------------	----------	-----------	----------