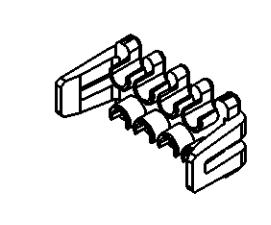
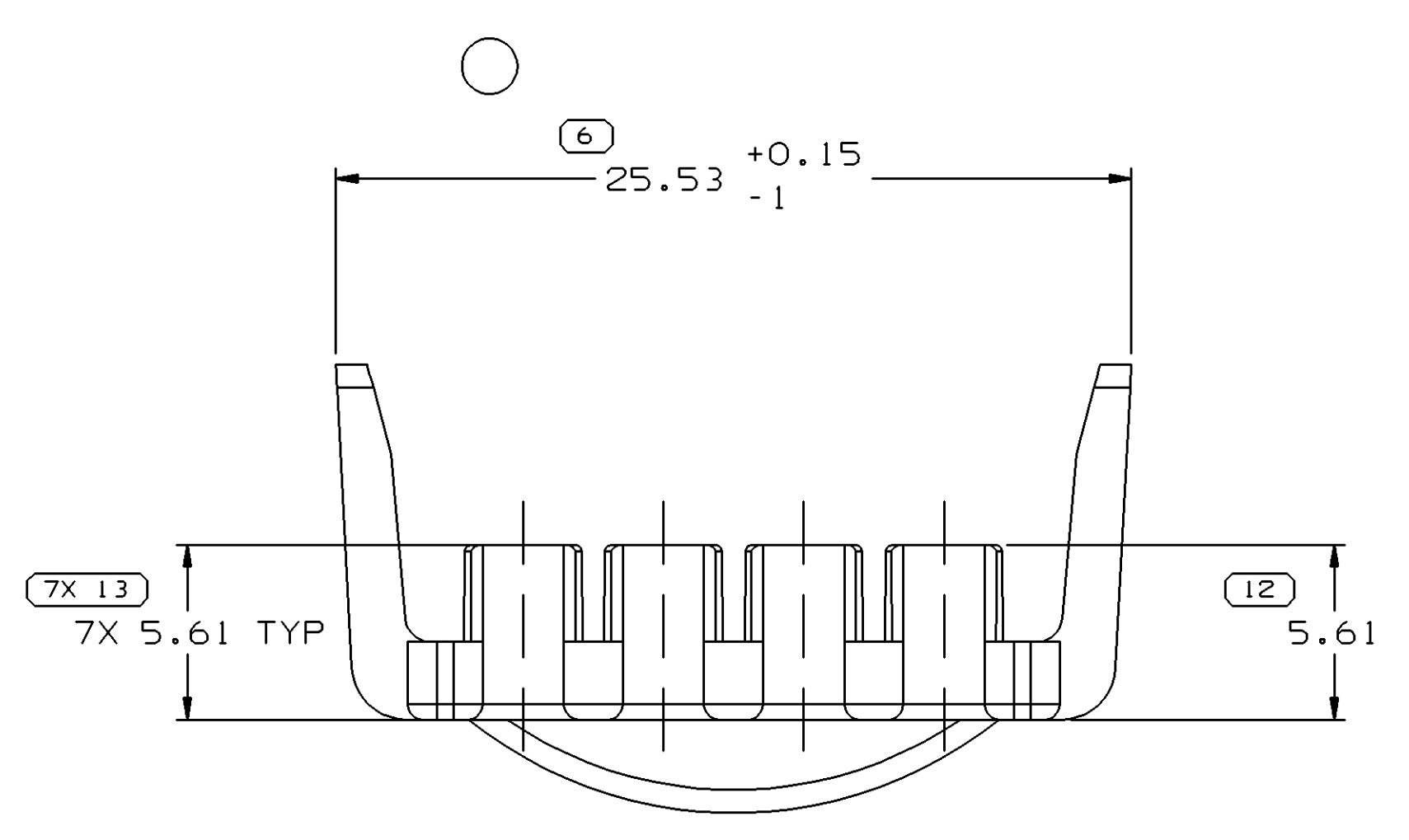
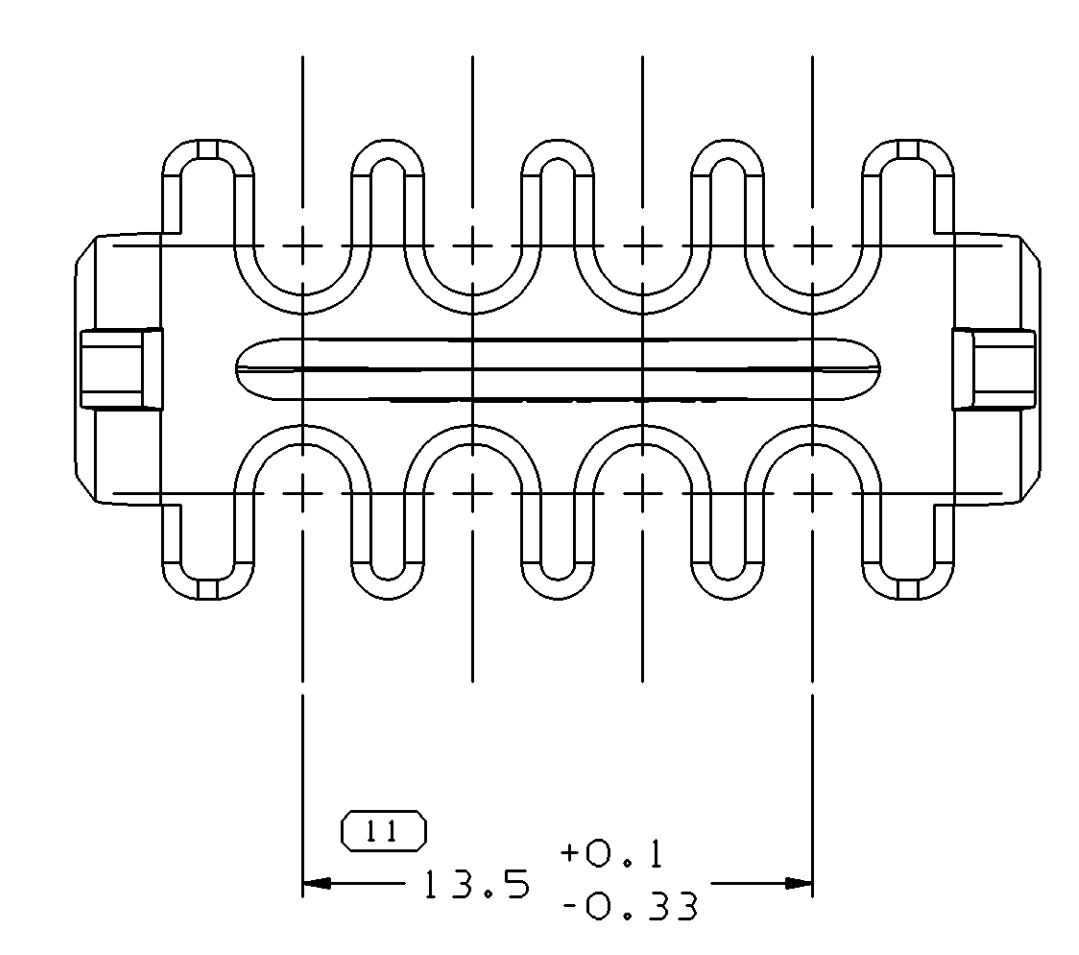
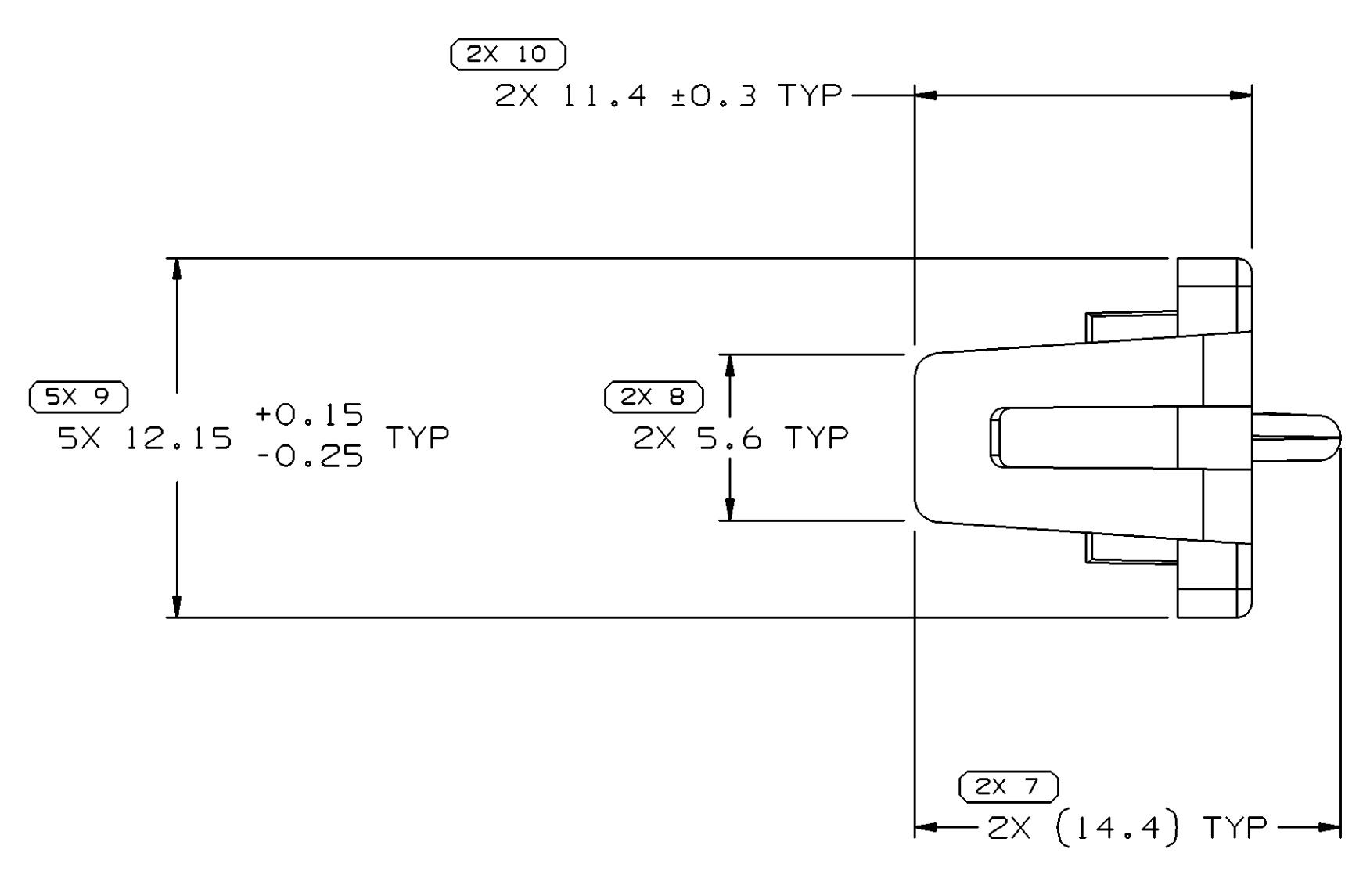
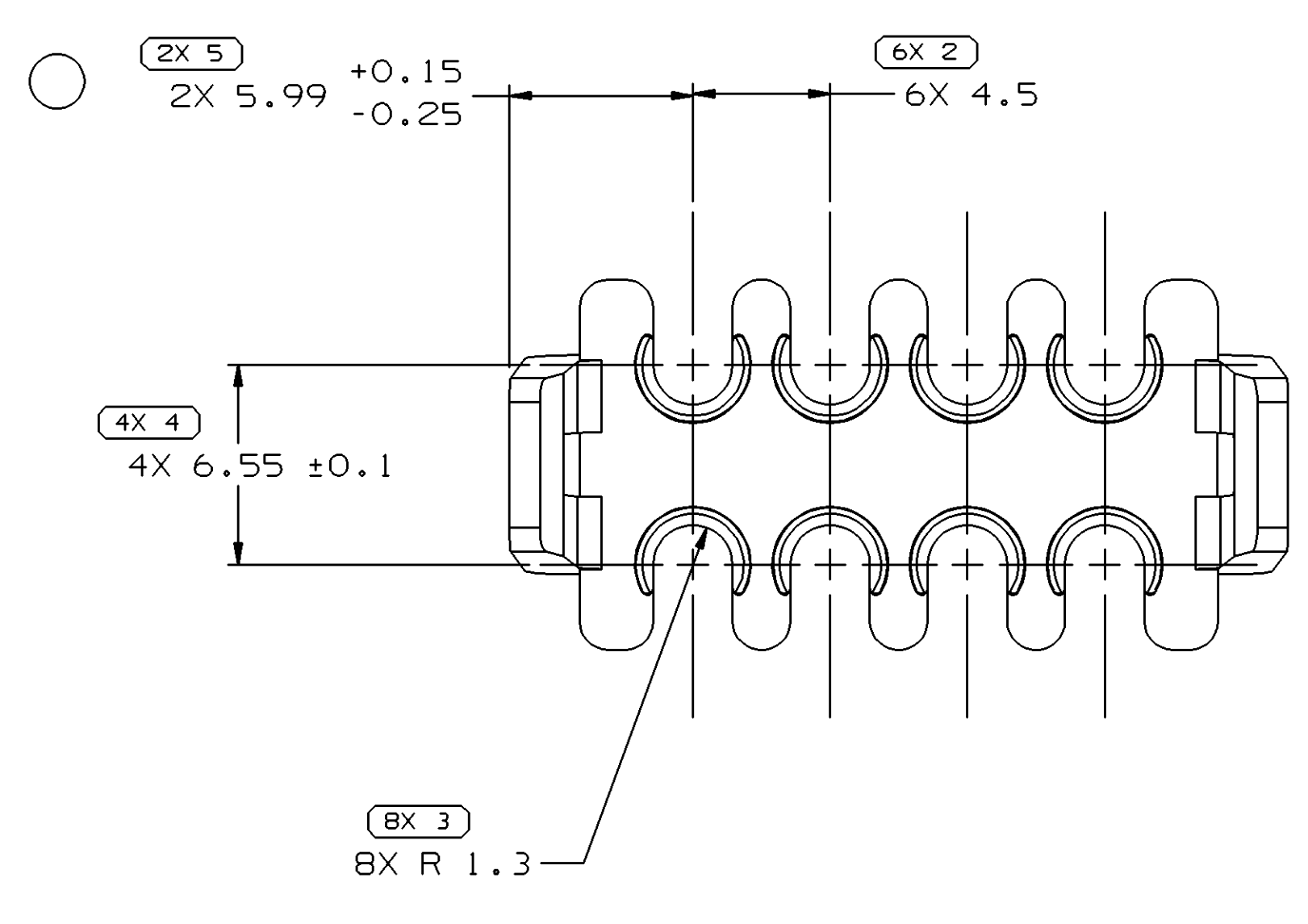
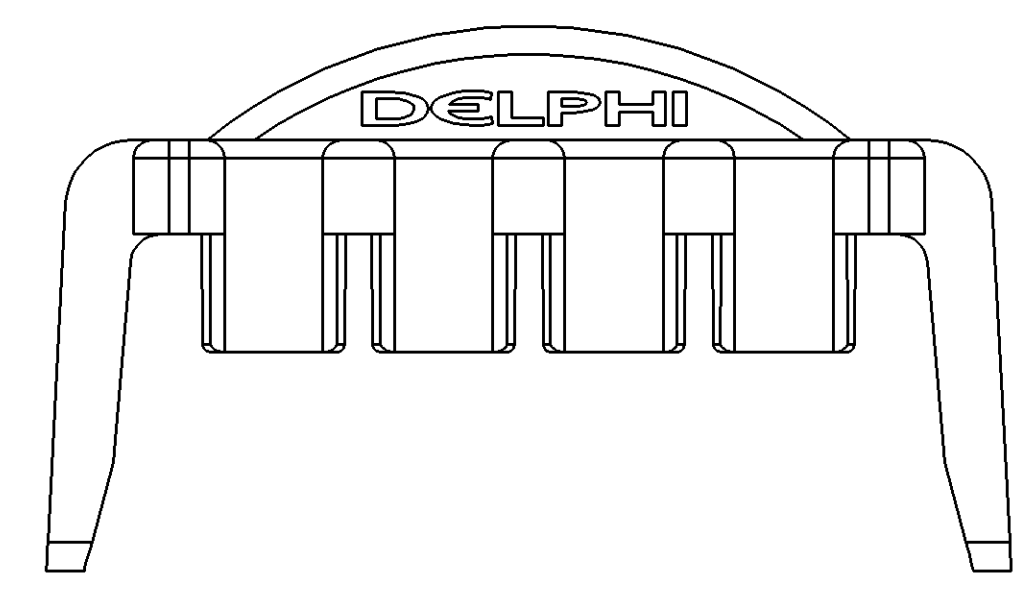


| SYMBOL DEFINITION | | TOTAL NO OF INSPECTIONS REQUIRED | |
|--|---------------|----------------------------------|--|
| A DIMENSION WITHOUT AN INSPECTION REPORT SYMBOL DOES NOT REQUIRE INSPECTION. IT MAY BE CONTROLLED ON THE INDIVIDUAL COMPONENT DRAWING. | | 41 | |
| | LAST NO. USED | 13 | |

| MISSING SYMBOLS | | | | REVISION HISTORY | | | | AUTH | | DR | | APVD | |
|-----------------|-----|-----|-----|------------------|------|--|--------|------|-----|----|----|------|--|
| DATE | STG | REV | W/P | CHG | ZONE | | | | | | | | |
| 10JUN02 | R | 04 | AA | - | | CLEARED REV COLUMN: 6X 4.5 WAS 6X 4.5 +/-0.1, 5X 12.15 +/-0.25 TYP WAS 5X 12.15 TYP AND 13.5 +/-0.3 WAS 13.5 +/-0.1 | 226573 | HAM | HAM | MC | MC | | |
| 09JUL02 | R | 04 | AB | - | | 13.5 +/-0.1-0.33 WAS 13.5 +/-0.1-0.3 | 227500 | TLD | TLD | MC | MC | | |
| 30SEP03 | R | 04 | AC | - | | ADDED NOTE 5 | 246729 | CJP | CJP | MC | MC | | |
| 08DEC03 | R | 04 | AD | - | | 25.53 +/-0.15/-1 WAS 25.53 +/-0.15; 2X 5.99 +/-0.15/-0.25 WAS 2X 5.99; REMOVED DIMENSIONS MEASURED WITH PART RESTRAINED NOTE | 249387 | ADK | ADK | MC | MC | | |



- NOTES:
- UNLESS OTHERWISE SPECIFIED AND/OR INDICATED: DIMENSIONS ARE TO FACE OF VIEW SHOWN AND AUTOMATICALLY ROUNDED BY COMPUTER FOR INSPECTION. (SEE MATH MODEL FOR PRECISE DIMENSION) FOR ALL OTHER DIMENSIONS NOT SHOWN BUT REQUIRED FOR TOOL BUILD, SEE MATH MODEL FOR PRECISE TOOL PATH DATA.
 - MATING COMPONENTS: 15326835, 15326840
 - PART IS NOT CONTROLLED FOR AUTOMATIC FEEDING.
 - (11)(10.1) RAISED DELPHI CORPORATE BRAND TO BE LOCATED ON ANY EXTERIOR SURFACE, PREFERABLY VISIBLE AT FINAL ASSEMBLY. OPTIONAL CONSTRUCTION TO BE "PED" OR NO LOGO.

| | | | | |
|-----------------------------------|--|--|--|--|
| | | | DIMENSIONAL RANGE (MM) FROM > 0 > 20 > 30 > 70 > 100 > 150 > 200 > 250 > 300 TO 20 30 70 100 150 200 250 300 400 TOLERANCE UNLESS OTHERWISE SPECIFIED ±0.15 ±0.2 ±0.3 ±0.4 ±0.5 ±0.6 ±0.8 ±1 ±1.2 ANGULAR TOLERANCE ±2° | CHART ET 1 2 3 4 5 6 7 8 9 10 11 12 |
| | | | (12) PROCESS SENSITIVE DIMENSION DIMENSIONS ENCLOSED IN () INDICATE RETRAINED DIMENSIONS AND NO TOLERANCE LIMITS ARE ESTABLISHED | |
| DO NOT SCALE USE MATH DATA | | | THIRD ANGLE PROJECTION DO NOT SCALE USE MATH DATA | |

DELPHI
 DELPHI PACKARD ELECTRIC SYSTEMS
 WARREN, OH

| | |
|--|---------|
| DR | DATE |
| APVD1 CHUCK PAPAS | 02AUG01 |
| APVD2 CHUCK PAPAS | 02AUG01 |
| APVD3 M. CULP | 03AUG01 |
| APVD4 | |
| SUBSTANCES OF CONCERN AND RECYCLED CONTENT PER DELPHI 10949001 | |
| MATERIAL M3592009 PA66 HS MOD PPL | |

DRAWING NAME
 LOCK TPA GT 150 B

DRAWING NUMBER
 15418415

SIZE A0 SCALE 5:1 FRAME NO 1 OF 1 SHEET NO 1 OF 1 STG REV W/P DR APVD