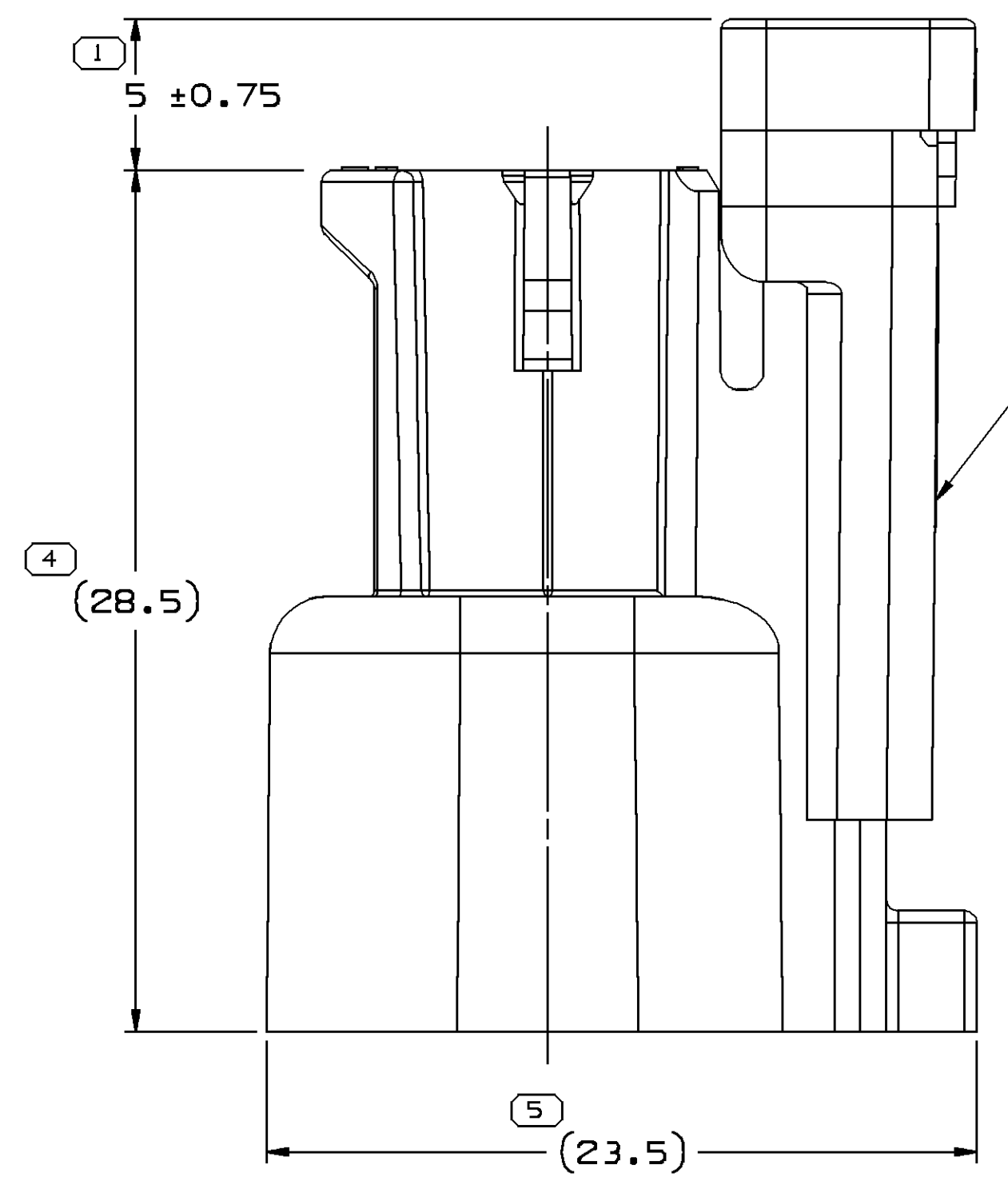
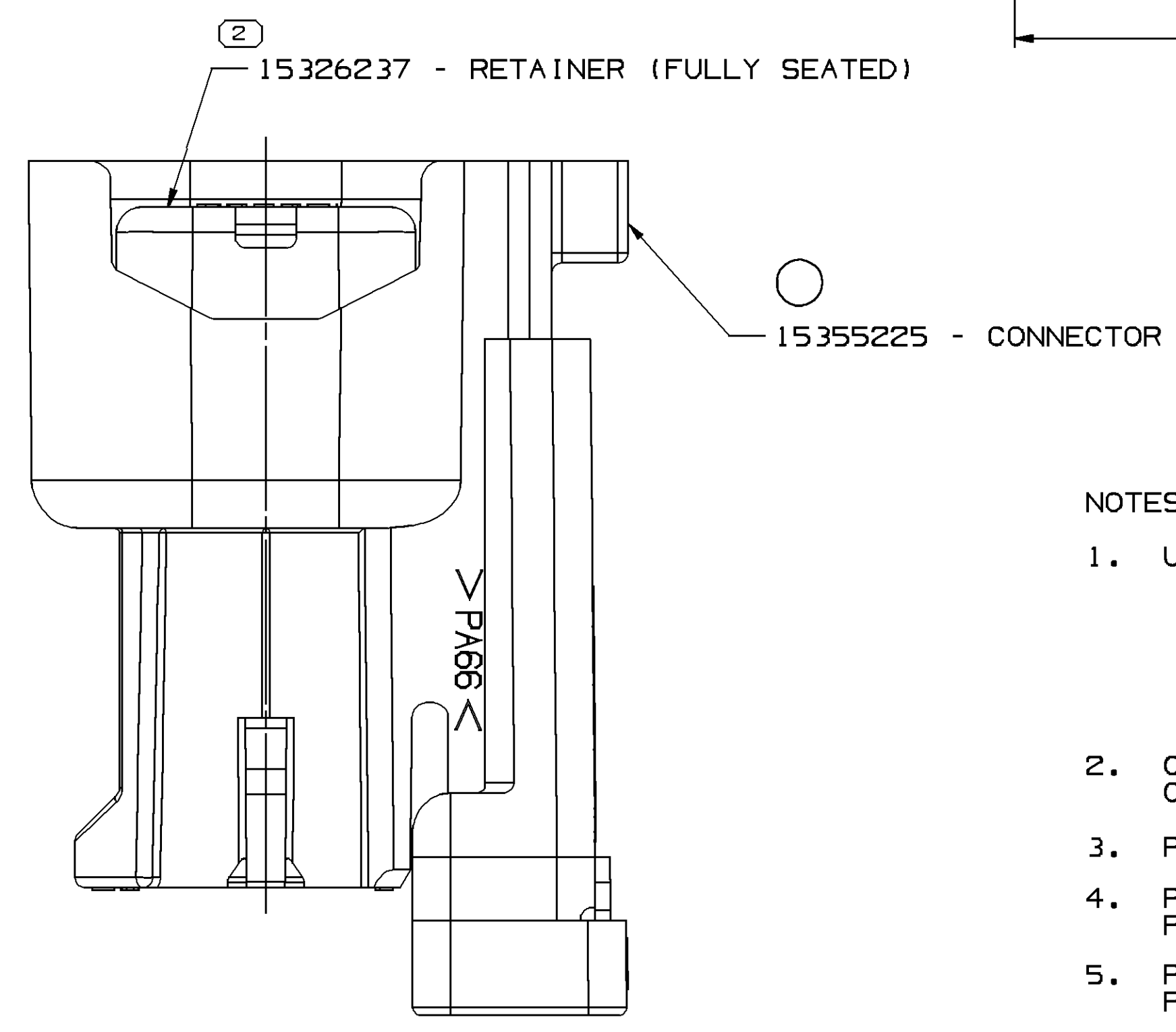
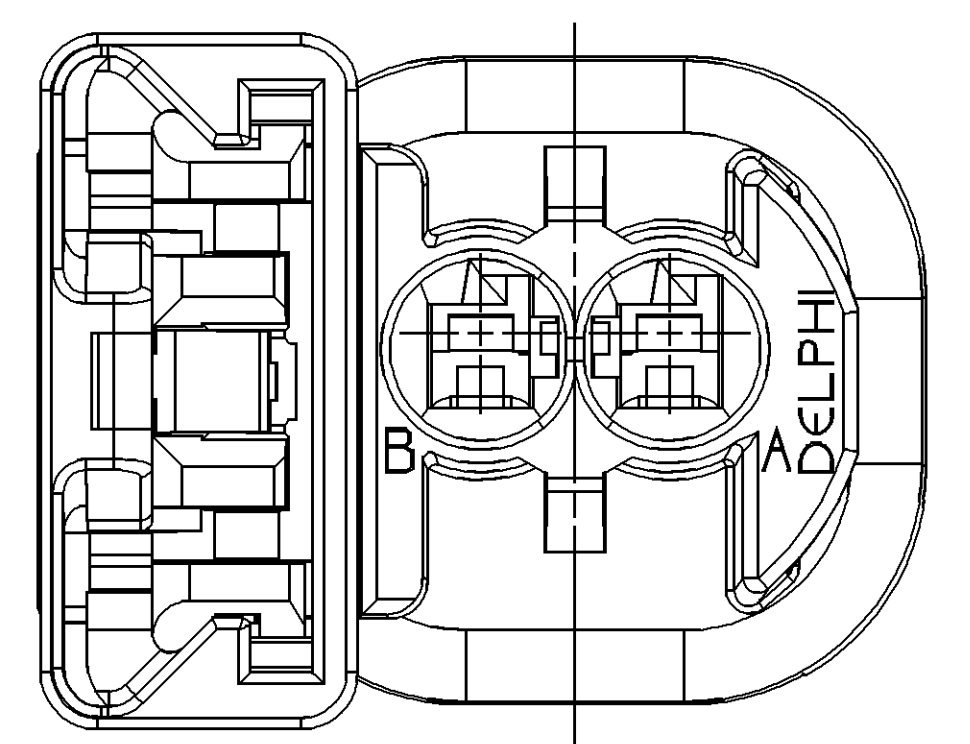
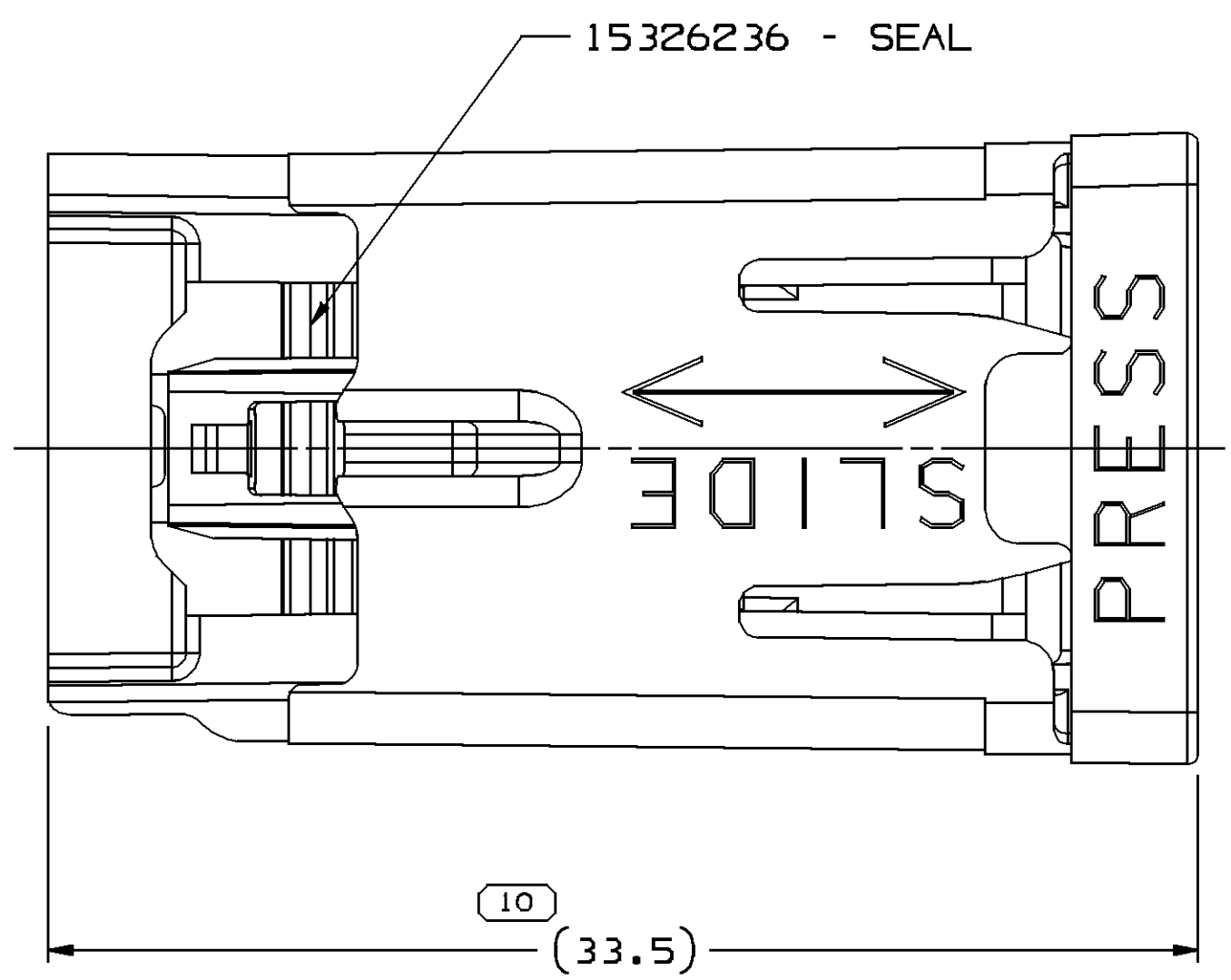
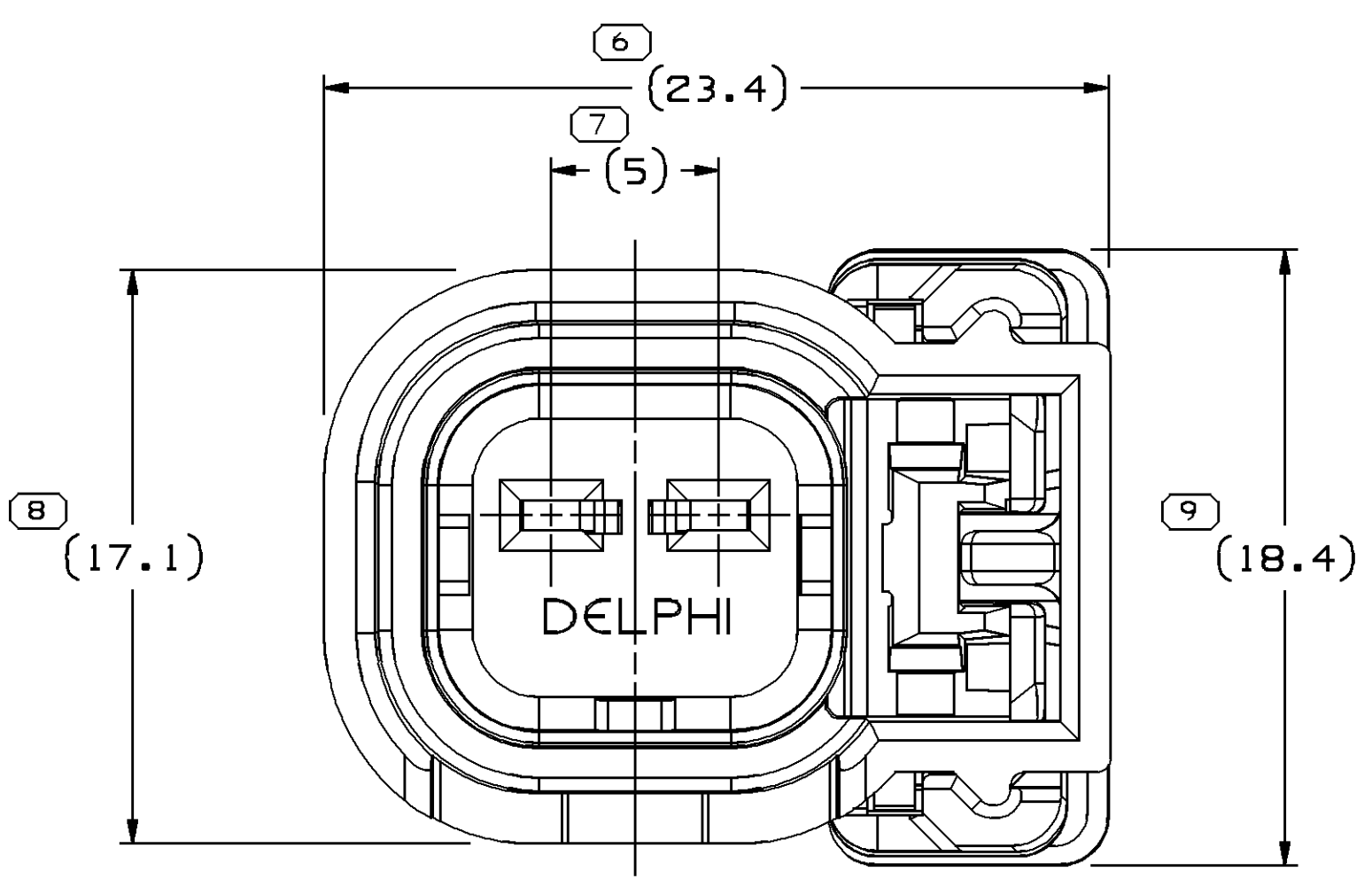


SYMBOL DEFINITION	
A DIMENSION WITHOUT AN INSPECTION REPORT SYMBOL DOES NOT REQUIRE INSPECTION. IT MAY BE CONTROLLED ON THE INDIVIDUAL COMPONENT DRAWING.	TOTAL NO OF INSPECTIONS REQUIRED
	10
	LAST NO. USED
	10

MISSING SYMBOLS				DWG STATUS		REVISION HISTORY		AUTH	DR	APVD1	APVD2	
NO MISSING SYMBOL NUMBER	DATE	STG	REV	N/P	CHG	ZONE						
	06MY98	R	A	-	-		WAS PE069192 & RELEASED		980005	RGV	JGS	
	28AP06	R	02	-	-		CONNECTOR P/N 15355225 WAS 15326235		274744	JTZ	JVM	BDG

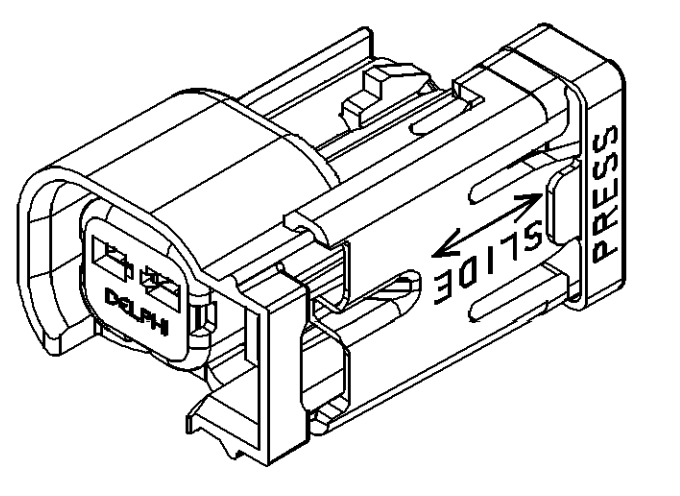


3 15326239 - CPA (PRESTAGED POSITION)



NOTES

- UNLESS OTHERWISE SPECIFIED AND/OR INDICATED:  
DIMENSIONS ARE TO FACE OF VIEW SHOWN AND AUTOMATICALLY ROUNDED BY COMPUTER FOR INSPECTION (SEE MATH MODEL FOR PRECISE DIMENSIONS). FOR ALL OTHER DIMENSIONS NOT SHOWN BUT REQUIRED FOR TOOL BUILD, SEE MATH MODEL FOR PRECISE TOOL PATH DATA.
- CAVITIES TO ACCEPT 12176636 TERMINAL WITH 12176807 CABLE SEAL & 15326238 TPA OR EQUIVALENT.
- PART MATES TO BOSCH EV6 FUEL INJECTOR OR EQUIVALENT.
- PARTS ARE TO BE ASSEMBLED WITH THE SEAL AND RETAINER IN PLACE AND THE CPA IN THE PRE-STAGE POSITION.
- PARTS ARE TO BE PACKAGED IN PROTECTIVE CONTAINERS WITH PLASTIC LINING TO AVOID ENTRY OF FOREIGN MATTER.
- MATING PART CONFIGURATION DRAWING - 15354900.



1 PROCESS SENSITIVE DIMENSION	
DIMENSIONS ENCLOSED IN ( ) INDICATE REFERENCE DIMENSIONS AND NO TOLERANCE LIMITS ARE ESTABLISHED	
DIMENSIONAL RANGE (MM)	CHART E
FROM 0 > 20 > 30 > 70 > 100	
TO 20 30 70 100 > 100	
TOLERANCE UNLESS OTHERWISE SPECIFIED	
±0.15   ±0.2   ±0.3   ±0.4   ±0.5	
ANGULAR TOLERANCE ±2°	

DWG TYPE PART DRAWING	
STYLE	
VOLUME (QTY)	DISTR CODE D
UNLESS OTHERWISE SPECIFIED	
THIS DOCUMENT IS IN ACCORDANCE WITH ASME Y14.5M-1994 AS AMENDED BY THE GM GLOBAL DIMENSIONING AND TOLERANCING ADDENDUM-2001. SEPARATE PATTERNS OF FEATURES MAY BE BAGGED SEPARATELY REGARDLESS OF DATUM REFERENCES.	
ALL DIMENSIONS ARE IN MILLIMETERS	
THIRD ANGLE PROJECTION	DO NOT SCALE USE MATH DATA
UNIGRAPHICS	

<b>DELPHI</b>	
DELPHI PACKARD ELECTRIC SYSTEMS WARREN, OH	
DR	DATE
APVD1 R. GUERRERO	06MY98
APVD2 JUAN GONZALEZ	06MY98
APVD3 R. POLENICK	09JN98
APVD4	
APVD5	
SUBSTANCES OF CONCERN AND RECYCLED CONTENT PER DELPHI 10949001	
MATERIAL SEE DRAWING	
DRAWING NAME ASM CONN 2 F M/P 150 BLK SLD	
DRAWING NUMBER 15305086	
SIZE A1	SCALE 5:1
FRAME NO 1 OF 1	SHEET NO 1 OF 1
STG R	REV 02
N/P -	