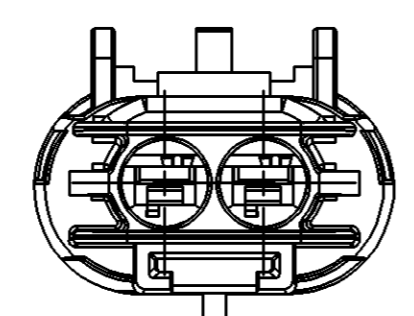
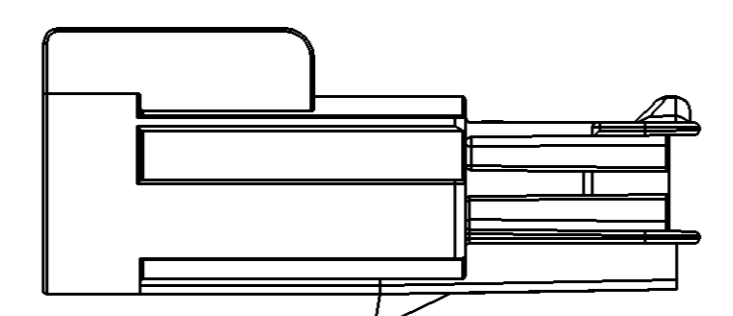
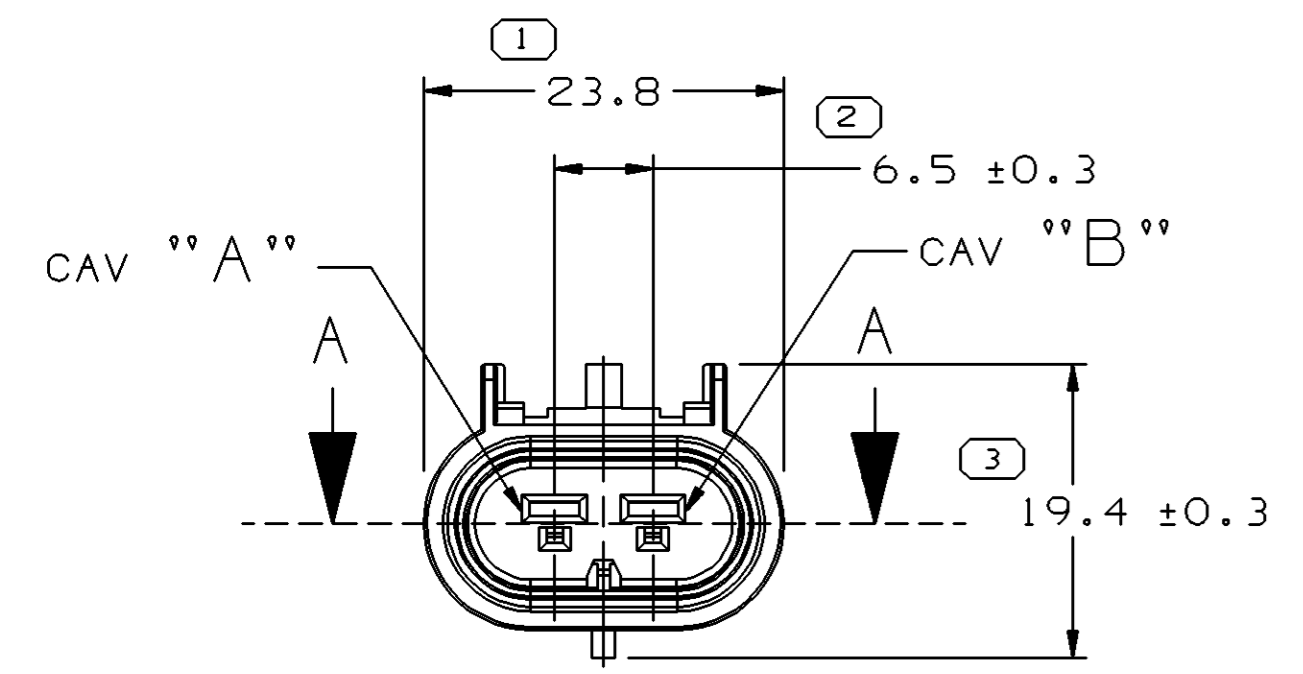
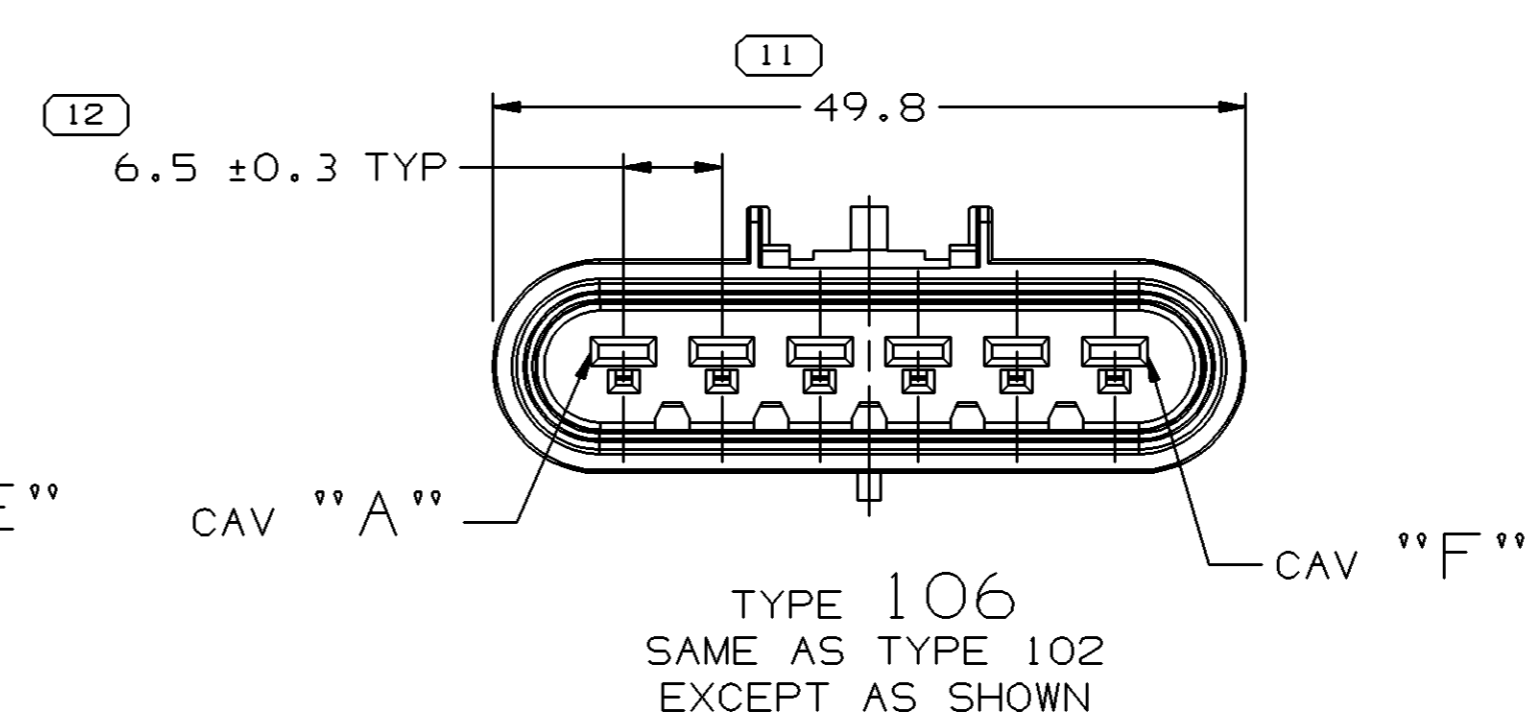
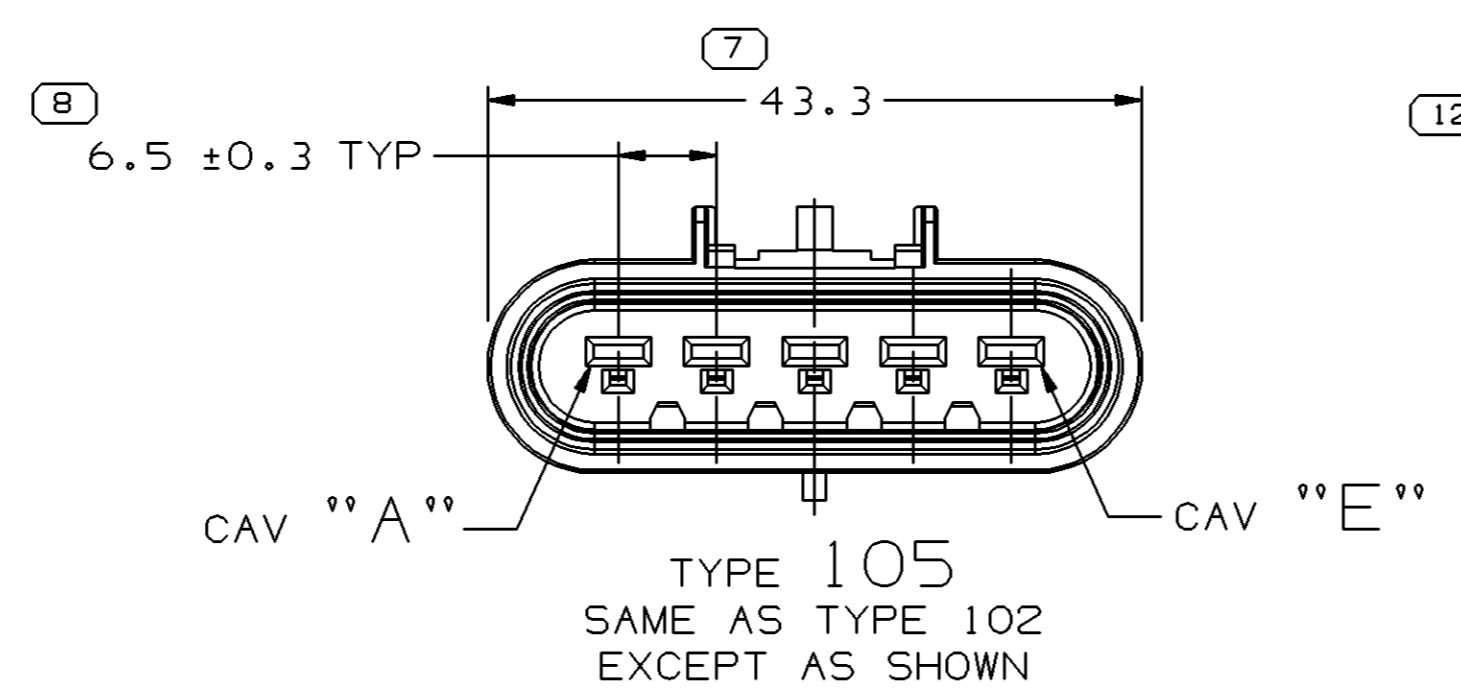
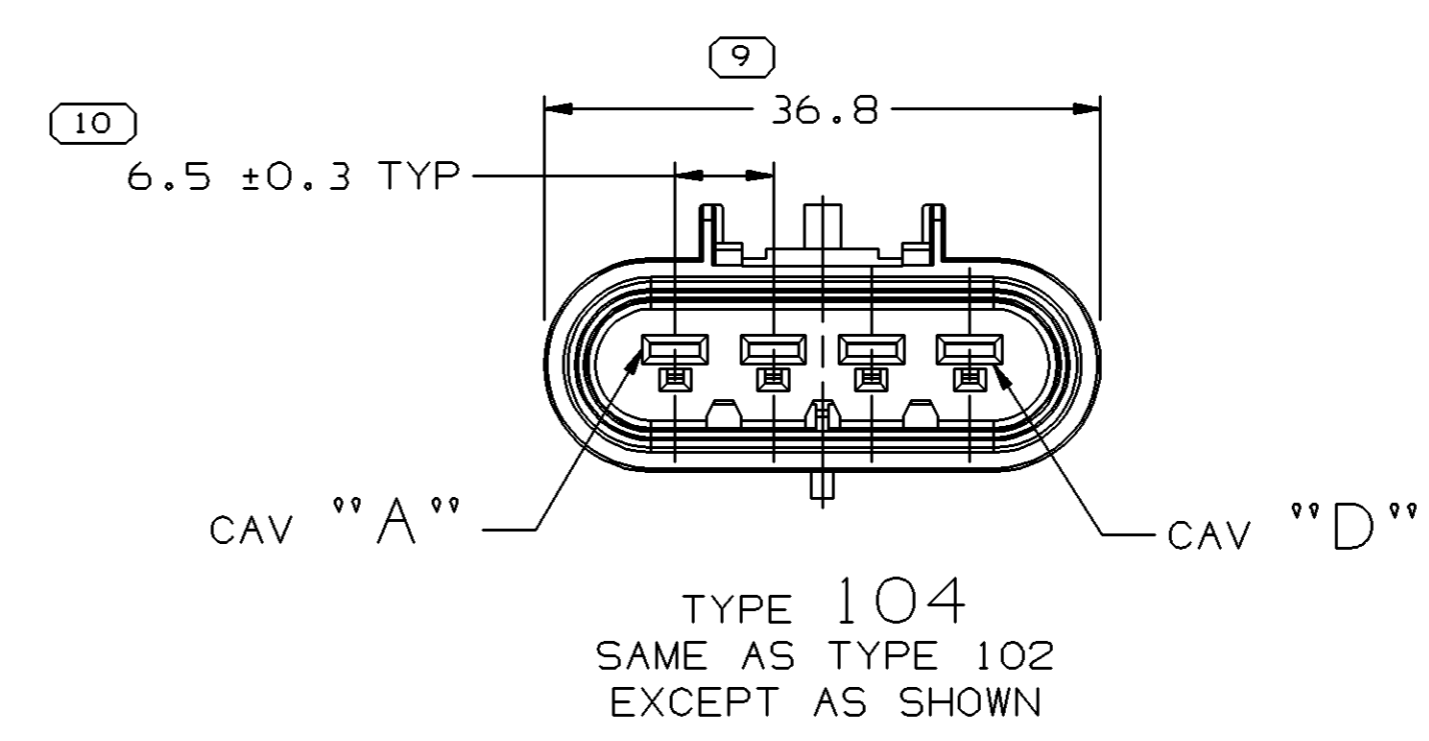
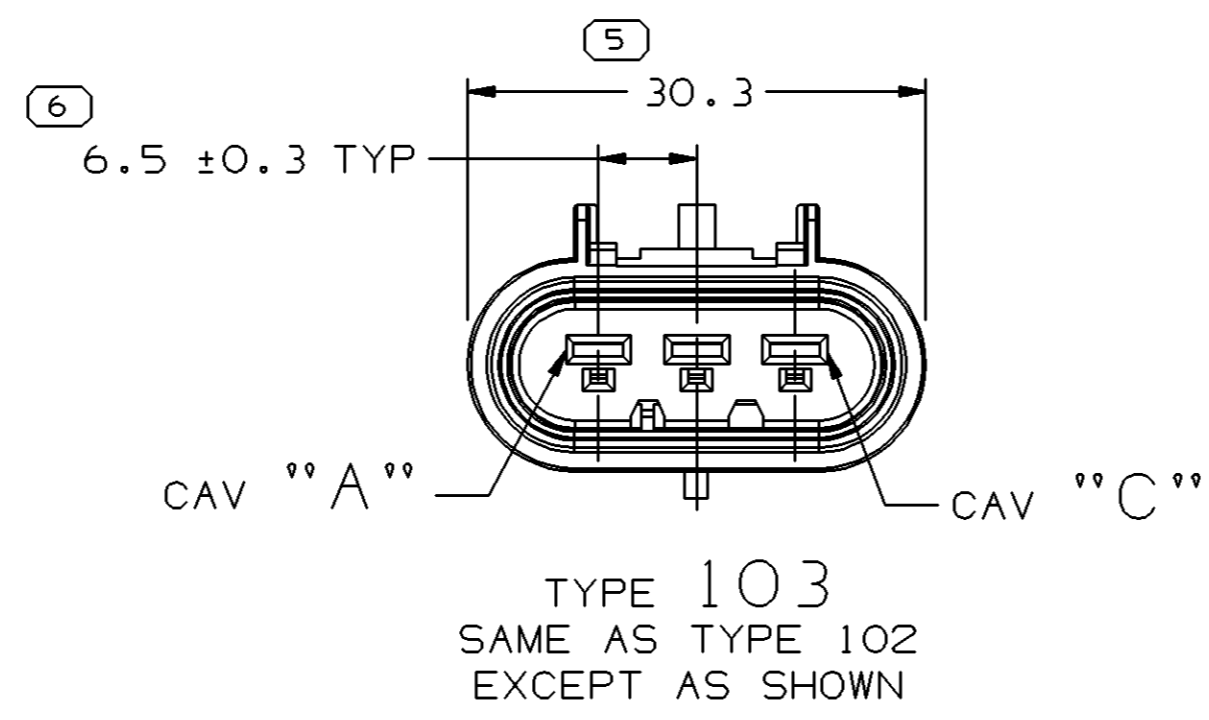
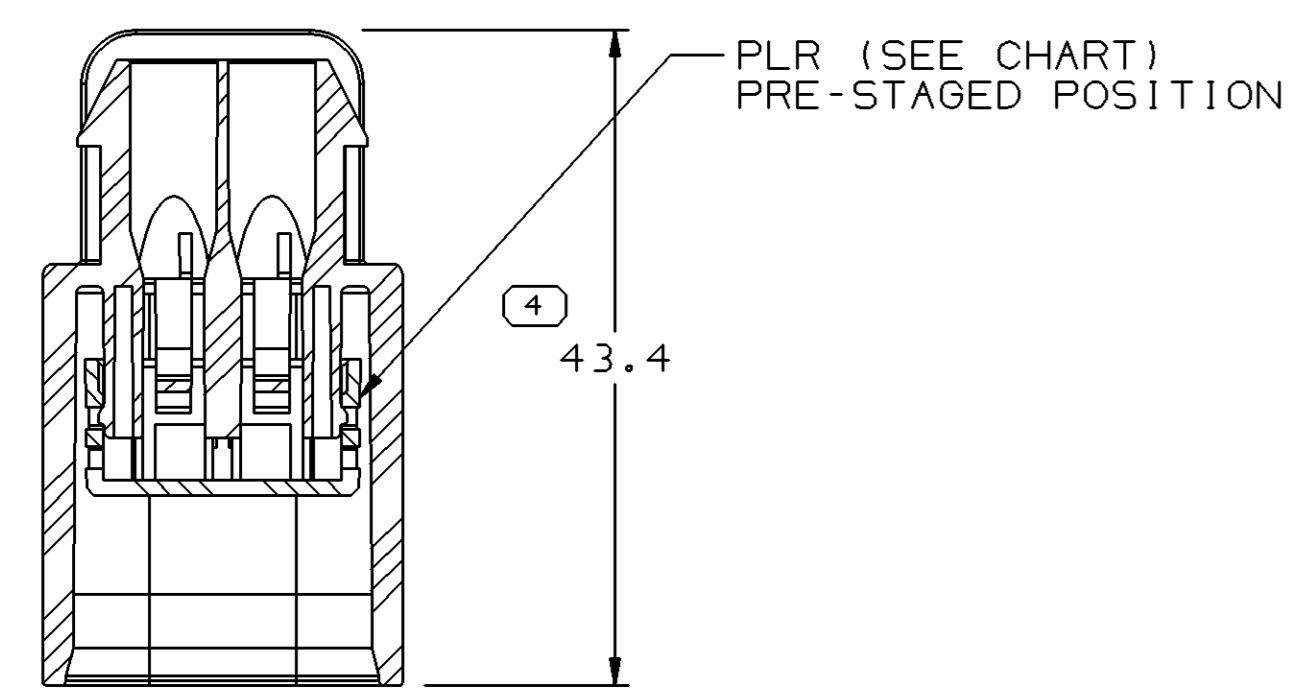
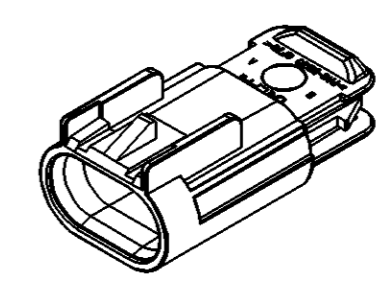


SYMBOL DEFINITION		MISSING SYMBOLS	
A DIMENSION WITHOUT AN INSPECTION REPORT SYMBOL () DOES NOT REQUIRE INSPECTION. IT MAY BE CONTROLLED ON THE INDIVIDUAL COMPONENT DRAWING.	TOTAL NO OF INSPECTIONS REQUIRED	NO MISSING SYMBOL NUMBER	12
	LAST NO. USED		12

DWG STATUS					ZONE	REVISION HISTORY	AUTH	DR	APVD 1	APVD 2
DATE	STG	REV	N/P	CHG						
05MY00	R	001	-	-		ADDED SLOT & REVISED DELPHI LOGO TO 15326680, 15326611, & 15326628	200214	ALS	ALS	RAP
08N000	R	002	-	-		15326633, 15326623, & 15326678 ON C/N #200214 - "A3" WAS "002"	204528	CJC	CJC	RAP
22JL03	R	03	-	-		ALL PARTS - REVISED NOTES; 15326633, 15326647 AND 15326678 - ADDED TPA	243129	TLD	TLD	SAN
02FE05	R	04	-	-		13518847, 13521457, 13521461, 13521465 AND 13521469 - RELEASED	264070	RH	RH	RWR



- NOTES
- UNLESS OTHERWISE SPECIFIED AND/OR INDICATED:
DIMENSIONS ARE TO FACE OF VIEW SHOWN AND AUTOMATICALLY ROUNDED BY COMPUTER FOR INSPECTION (SEE MATH MODEL FOR PRECISE DIMENSIONS). FOR ALL OTHER DIMENSIONS NOT SHOWN BUT REQUIRED FOR TOOL BUILD, SEE MATH MODEL FOR PRECISE TOOL PATH DATA.
 - REFERENCE MATING COMPONENTS OR EQUIVALENT:
ASSEMBLY CONNECTOR SEE CHART
 - THIS PART ACCEPTS THE FOLLOWING COMPONENTS OR EQUIVALENT:
TERMINAL 15304730
CABLE SEAL 12191232
TERMINAL POSITION ASSURANCE LOCK SEE CHART
METAL CLIP SEE 08900009 TAXI
PLASTIC CLIP SELF LOCK TYPE (REF 15358639)
 - SEALING CODE 4 - DESIGN WILL MEET REQUIREMENTS OF SAE/USCAR-2 CONNECTOR SYSTEM ENVIRONMENTAL TEST FLOWCHART (PRESSURE/VACUUM AND SUBMERSION).



15326678/ID406186	A5	-	102	15326682/ID406185	PA6 GB20+GF10	15326680/ID406182	15326677/ID406184	15430899	
15326647/ID406208	A1	-	105	15326646/ID406207	PA6 GB20+GF10	15326644/ID406204	15326642/ID406206	15430895	
15326640/ID406215	A1	-	106	15326639/ID406214	PA6 GB20+GF10	15326637/ID406211	15326635/ID406213		
15326633/ID406201	A5	-	104	15326629/ID406200	PA6 GB20+GF10	15326628/ID406196	15326631/ID406199	15430898	
15326623/ID406193	A5	-	103	15326613/ID406192	PA6 GB20+GF10	15326611/ID406188	15326614/ID406191		
13521469	01	-	106	13521468	PBT GF20	15326637/ID406211	13521467		
13521465	01	-	105	13521464	PBT GF20	15326644/ID406204	13521463	15430895	
13521461	01	-	104	13521460	PBT GF20	15326628/ID406196	13521459	15430898	
13521457	01	-	103	13521456	PBT GF20	15326611/ID406188	13521455		
13518847	01	-	102	13518846	PBT GF20	15326680/ID406182	13518845	15430899	
PART NUMBER	REV	N/P	STATUS	TYPE	CONNECTOR	MATERIAL RECYCLING CODE	PLR	MATING ASM CONN	MATING TPA

DIMENSIONAL RANGE (MM)		CHART E1	
FROM	TO	30	400
> 0	> 20	> 30	> 100
> 20	> 30	> 100	> 150
> 30	> 70	> 150	> 200
> 70	> 100	> 200	> 250
> 100	> 150	> 250	> 300
> 150	> 200	> 300	> 400

TOLERANCE UNLESS OTHERWISE SPECIFIED

±0.15	±0.2	±0.3	±0.4	±0.5	±0.6	±0.8	±1	±1.2
-------	------	------	------	------	------	------	----	------

ANGULAR TOLERANCE ±2°

DWG TYPE: PART DRAWING

STYLE: _____

VOLUME (CM³): _____

DISTR CODE: **D**

UNLESS OTHERWISE SPECIFIED

THIS DOCUMENT IS IN ACCORDANCE WITH ASME Y14.5M-1994 AS AMENDED BY THE GM GLOBAL DIMENSIONING AND TOLERANCING ADDENDUM-2001. SEPARATE PATTERNS OF FEATURES MAY BE GAGED SEPARATELY REGARDLESS OF DATUM REFERENCES.

ALL DIMENSIONS ARE IN MILLIMETERS

THIRD ANGLE PROJECTION

DO NOT SCALE

USE MATH DATA

UNIGRAPHICS

DELPHI

DELPHI PACKARD ELECTRIC SYSTEMS
WARREN, OH

DR	DATE
APVD1 M. MCCALL	09JL97
APVD2 M. MCCALL	09JL97
APVD3 B. FLASK	28JL97
APVD4	
APVD5	

SUBSTANCES OF CONCERN AND RECYCLED CONTENT PER DELPHI 10949001

MATERIAL SEE CHART

DRAWING NAME: TAXI ASM CONN M GT 280 SLD

DRAWING NUMBER: **15326683**

SIZE	SCALE	FRAME NO	SHEET NO	STG	REV	N/P
A1	2:1	1 OF 1	1 OF 1	R	04	-