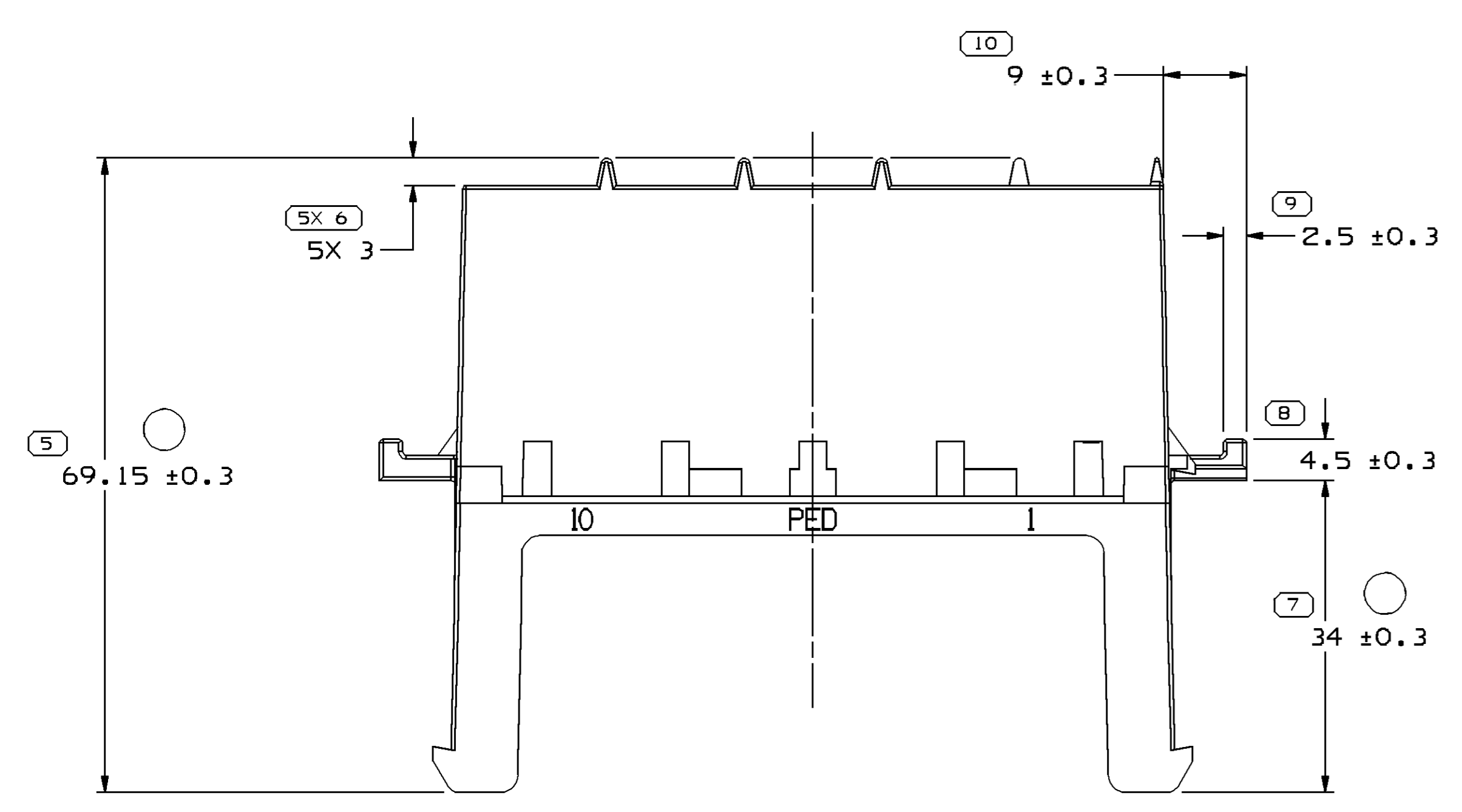
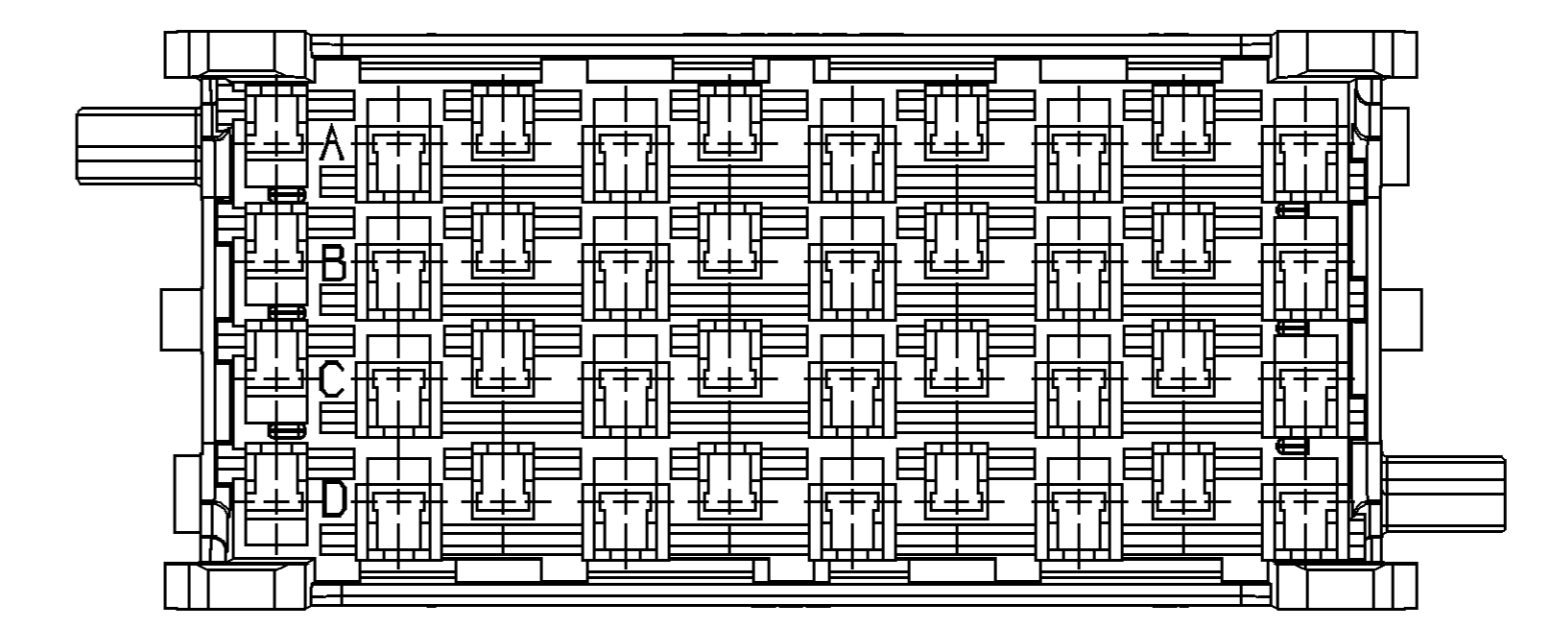
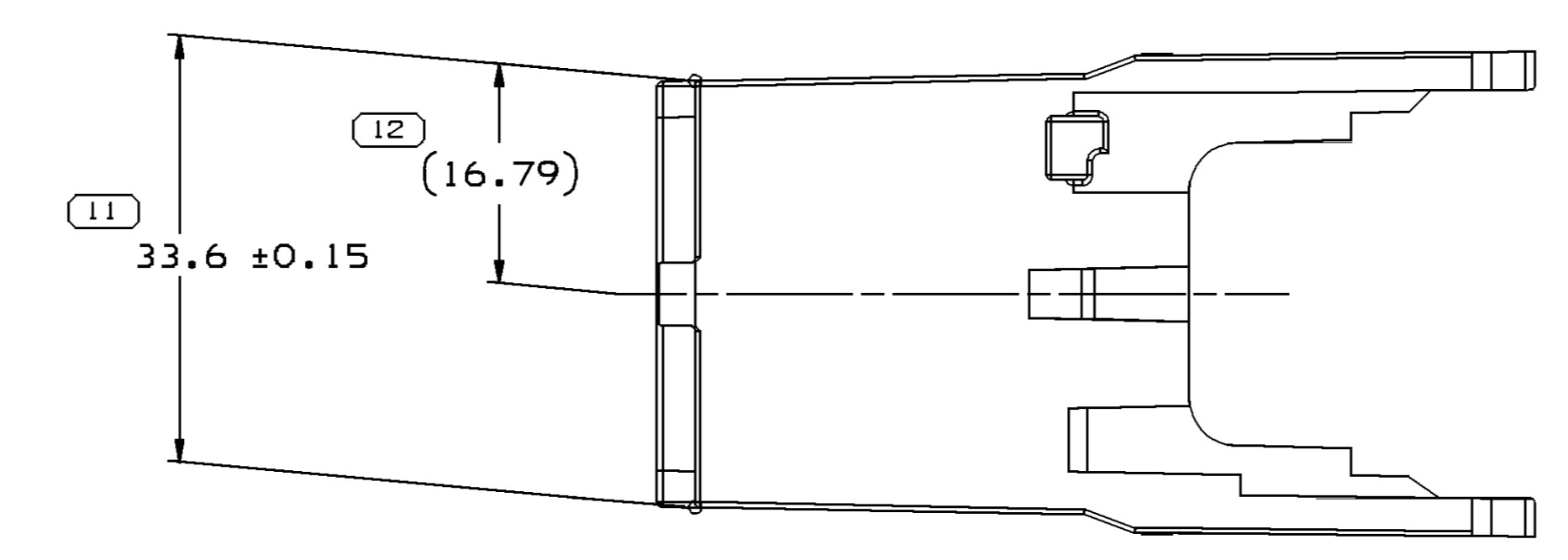
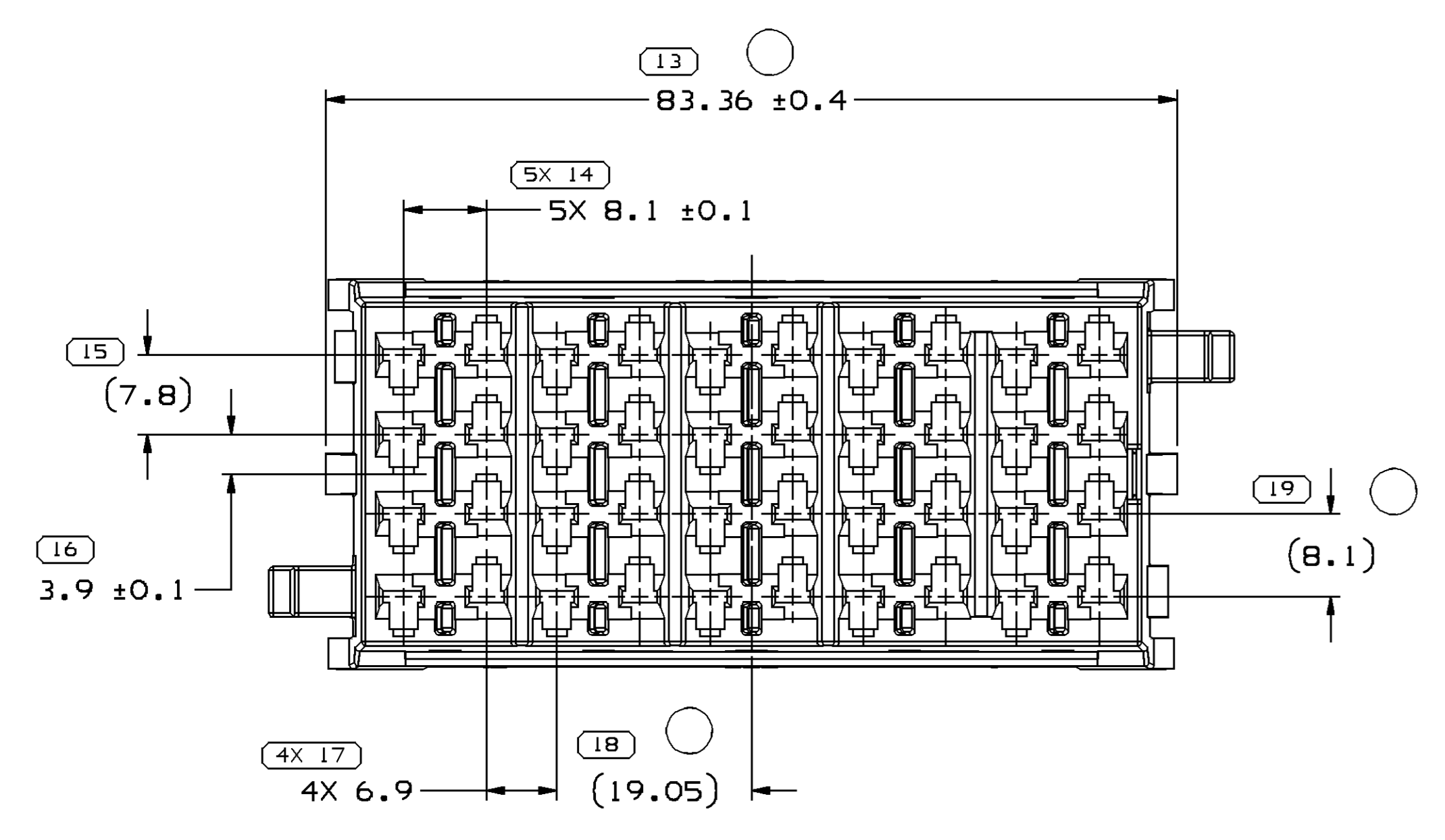
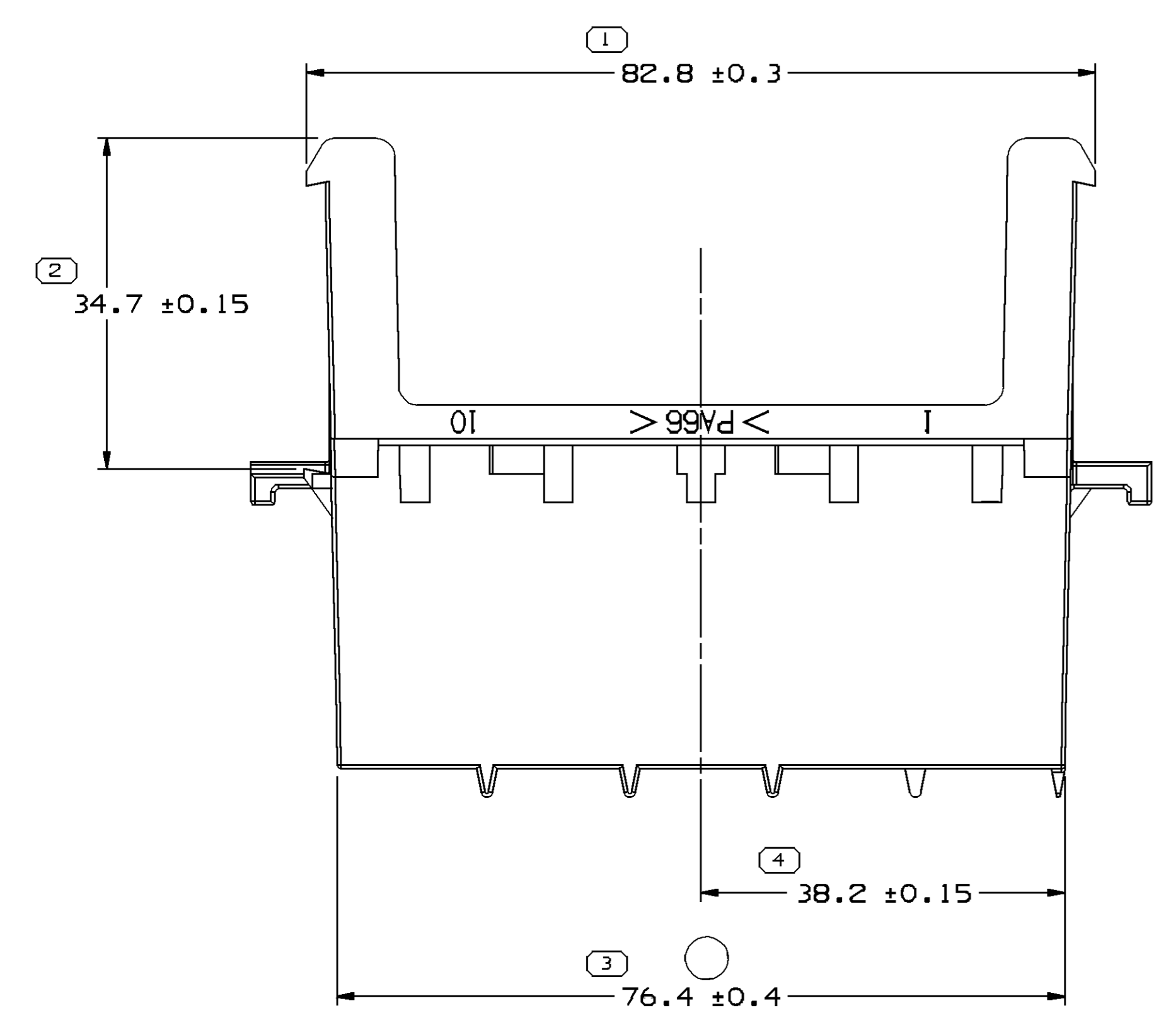
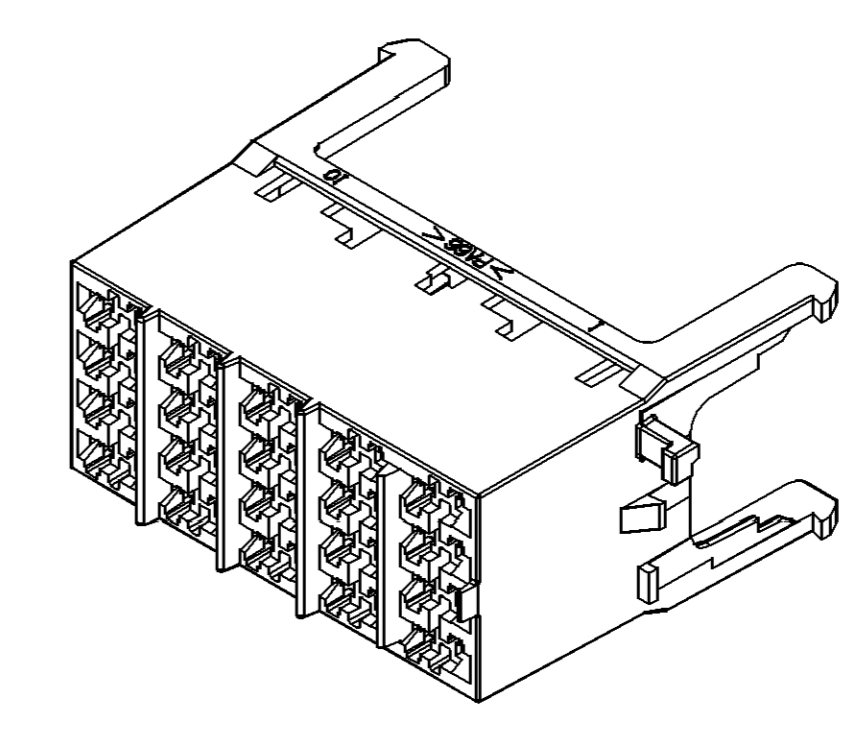


SYMBOL DEFINITION		TOTAL NO OF INSPECTIONS REQUIRED		MISSING SYMBOLS	
A DIMENSION WITHOUT AN INSPECTION REPORT SYMBOL DOES NOT REQUIRE INSPECTION. IT MAY BE CONTROLLED ON THE INDIVIDUAL COMPONENT DRAWING.		30		NO MISSING SYMBOL NUMBER	
		LAST NO. USED		19	

DWG STATUS					REVISION HISTORY					AUTH		DR		APVD	
DATE	STG	REV	N/P	CHG	ZONE										
05A06	R	B1	-	-							279386	RTV	JVM	MJC	



- NOTES
- UNLESS OTHERWISE SPECIFIED AND/OR INDICATED:
DIMENSIONS ARE TO FACE OF VIEW SHOWN AND AUTOMATICALLY ROUNDED BY COMPUTER FOR INSPECTION. (SEE MATH MODEL FOR PRECISE DIMENSION)
LIKE CAVITIES ARE IDENTICAL
LIKE FEATURES ARE IDENTICAL
 - REFERENCE MATING COMPONENTS OR EQUIVALENT:
TERMINALS: 12092556 ROWS A, B, C & D
CAVITIES: 1, 3, 5, 7 & 9
12092525 BUS BAR ROWS A, B, C & D
CAVITIES: 2, 4, 6, 8 & 10
SECONDARY TERMINAL LOCK 12146947
MOUNTING BASE 12110041
 - THIS PART IS NOT CONTROLLED FOR AUTOMATIC FEEDING.
 - MATERIAL RECYCLING CODE PER ISO 11469, (3)X(10.1) RAISED CHARACTERS AS SHOWN TO BE LOCATED ON ANY EXTERIOR SURFACE. OPTIONAL CONSTRUCTION TO BE NO MATERIAL RECYCLING CODE.
 - (2.3)X(10.1) RAISED DELPHI CORPORATE BRAND TO BE LOCATED ON ANY EXTERIOR SURFACE, PREFERABLY VISIBLE AT FINAL ASSEMBLY. OPTIONAL CONSTRUCTION TO BE "PED" OR NO LOGO.



PART DRAWING	
STYLE	D
VOLUME 10/1	47,893
DISTR CODE	
UNLESS OTHERWISE SPECIFIED	
THIS DOCUMENT IS IN ACCORDANCE WITH ASME Y14.5M-1994 AS MODIFIED BY THE IN-SPEC DIMENSIONING AND TOLERANCE ADDENDUMS. SEPARATE RATINGS OF FEATURES MAY BE BASED SEPARATELY REGARDLESS OF DATUM REFERENCES.	
ALL DIMENSIONS ARE IN MILLIMETERS	
REFERENCE	
(N/A) PROCESS SENSITIVE DIMENSION	
DIMENSIONS ENCLOSED IN () INDICATE REFERENCE DIMENSIONS AND NO TOLERANCE LIMITS ARE ESTABLISHED	
THIRD ANGLE PROJECTION	
DO NOT SCALE	
USE MATH DATA	

DELPHI
DELPHI PACKARD ELECTRIC SYSTEMS
WARREN, OH

DR	DATE
APVD1 JUAN CANO	260C95
APVD2 RICARDO PINA	07N095
APVD3 C. WATKINS	02JA96
APVD4	
APVD5	

SUBSTANCES OF CONCERN AND RECYCLED CONTENT PER DELPHI 1094001

MATERIAL: M2279001 P666 GF14 HS 1M BLK

DRAWING NAME:
CENT FUS BLK MINI BLK PRINTED

DRAWING NUMBER:
12191544

SIZE	SCALE	FRAME NO	SHEET NO	STG	REV	N/P
A0	2:1	1	1	1	1	R B1