
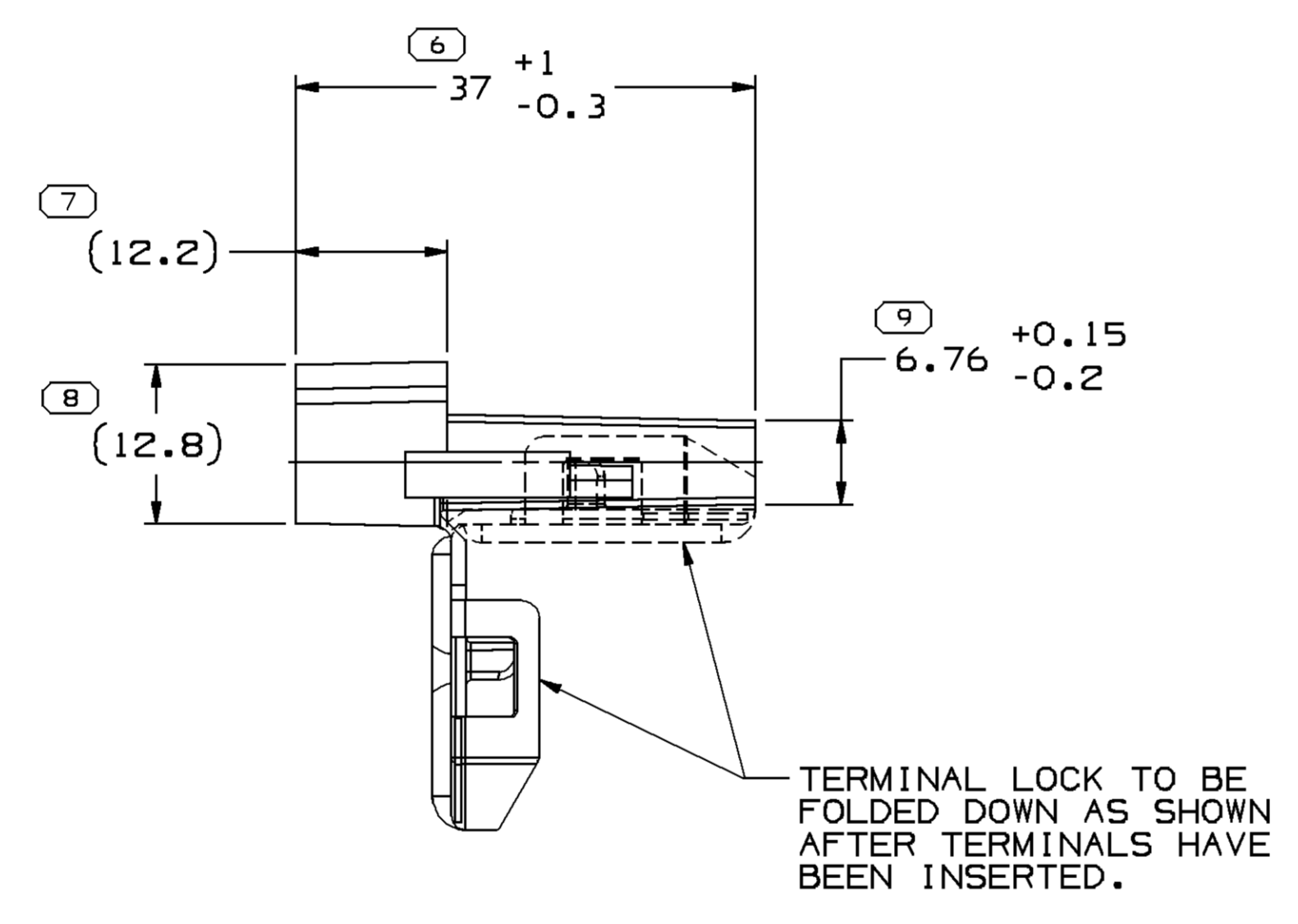
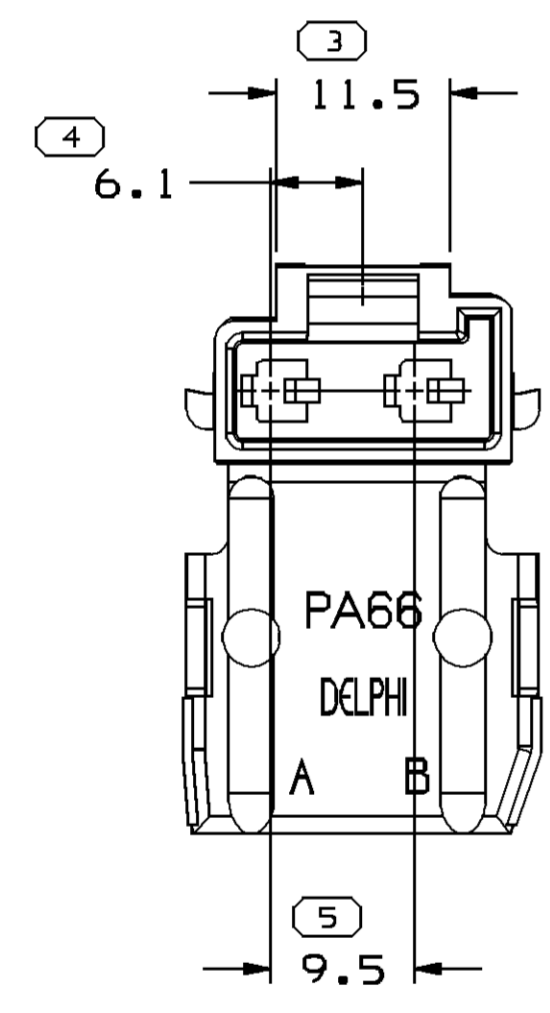
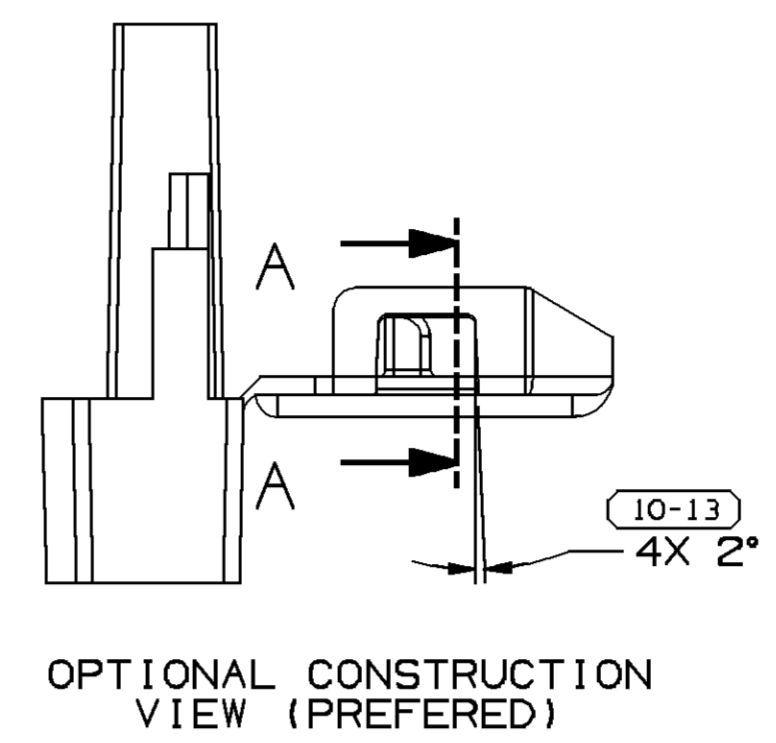
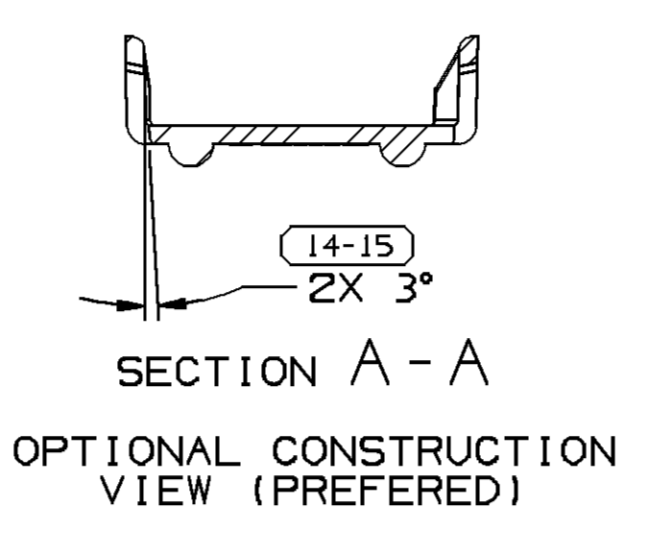
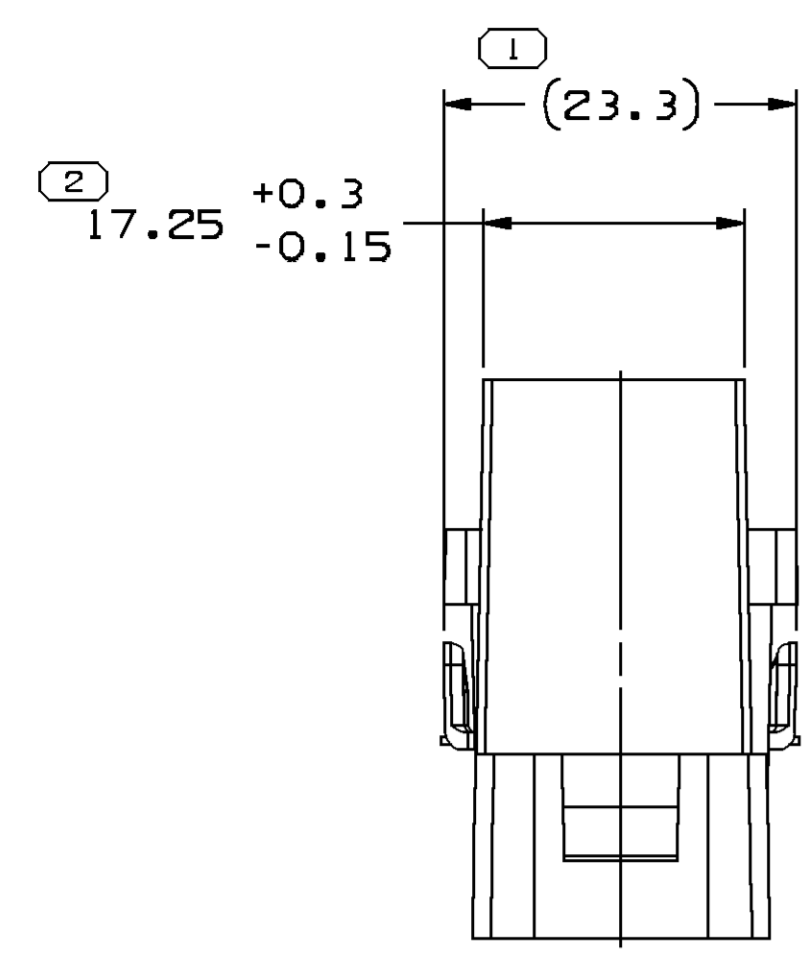
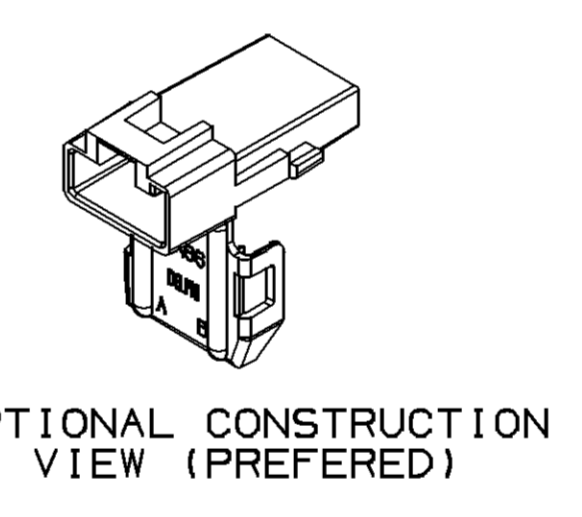
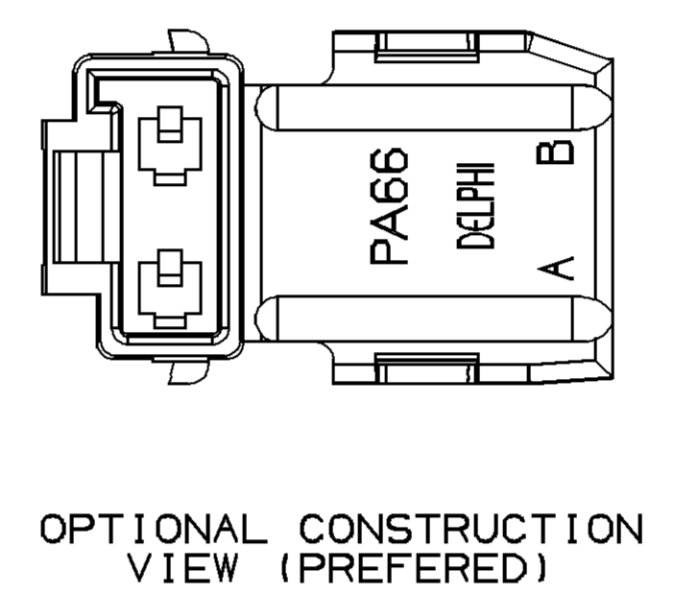


SYMBOL DEFINITION		MISSING NUMBERS	
A DIMENSION WITHOUT AN INSPECTION REPORT SYMBOL  DOES NOT REQUIRE INSPECTION. IT MAY BE CONTROLLED ON AN INDIVIDUAL COMPONENT DRAWING.	TOTAL NO. OF SYMBOLS ON DRAWING	11	
	LAST NO. USED	15	

DWG STATUS				ZONE	REVISION HISTORY	AUTH	DR	APVD1	APVD2
DATE	STG	REV	N/P						
28NO01	R	01	-	-	CLEARED REV COL & ALL PARTS - MAT'L SPEC WAS PA6 & ADDED NOTES (2 PLCS)	214348	LEG	GEG	RC
09OC03	R	02	-	-	ADDED OPTIONAL CONSTRUCTION VIEWS, REVISED PART, DIM #5 -1- (23.3) WAS (23.1), -2- 17.25 +0.3/-0.15 WAS 16.95 +0.3/-0.15, -9- 6.76 +0.15/-0.20 WAS 6.7.	246919	MJM	MJM	TM
09MR06	R	03	-	-	12015271 - MAT'L SPEC WAS M3592002	278297	JOA	FRG	BB1

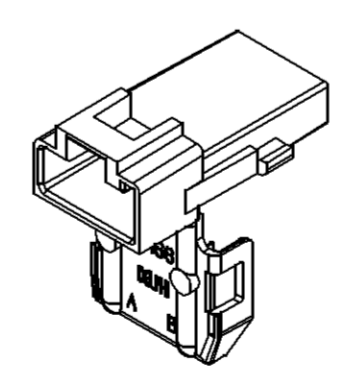


TERMINAL LOCK TO BE FOLDED DOWN AS SHOWN AFTER TERMINALS HAVE BEEN INSERTED.



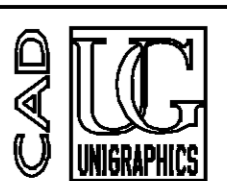
NOTES

- UNLESS OTHERWISE SPECIFIED AND/OR INDICATED: DIMENSIONS ARE TO FACE OF VIEW SHOWN AND AUTOMATICALLY ROUNDED BY COMPUTER FOR INSPECTION (SEE MATH MODEL FOR PRECISE DIMENSIONS). FOR ALL OTHER DIMENSIONS NOT SHOWN BUT REQUIRED FOR TOOL BUILD, SEE MATH MODEL FOR PRECISE TOOL PATH DATA.
- MATERIAL RECYCLING CODE >PA66< PER SAE J1344. (2.3)X(0.1) RAISED CHARACTERS AS SHOWN TO BE LOCATED ON ANY EXTERIOR SURFACE. OPTIONAL CONSTRUCTION TO BE NO MATERIAL RECYCLING CODE.
- MATING COMPONENTS OR EQUIVALENT: CONNECTOR 12015199
- THIS PART ACCEPTS THE FOLLOWING COMPONENTS OR EQUIVALENT: CAVITIES TO ACCEPT 12020115 TERMINAL OR EQUIVALENT.
- (2.3)X(0.1) RAISED DELPHI CORPORATE BRAND TO BE LOCATED ON ANY EXTERIOR SURFACE, PREFERABLY VISIBLE AT FINAL ASSEMBLY. OPTIONAL CONSTRUCTION TO BE "PED" OR NO LOGO.



12034344	00B	-		M3592001 PA66 IM HS BLK	4.077
12015271	09	-		M3592024 PA66 IM HS CRM	4.077
PART NO	REV	N/P	STATUS	MATERIAL SPECIFICATION AND COLOR	VOL CM <sup>3</sup>

DIMENSIONAL RANGE (MM)		TOLERANCE UNLESS OTHERWISE SPECIFIED		ANGULAR TOLERANCE ±2°	
FROM	TO	±0.15	±0.2	±0.3	±0.4
> 0	> 20	> 20	> 30	> 30	> 70
> 20	> 30	> 30	> 70	> 70	> 100
> 30	> 70	> 70	> 100	> 100	> 150
> 70	> 100	> 100	> 150	> 150	> 200
> 100	> 150	> 150	> 200	> 200	> 250
> 150	> 200	> 200	> 250	> 250	> 300
> 200	> 250	> 250	> 300	> 300	> 400

DWG TYPE <b>PART DRAWING</b>	
STYLE	
VOLUME (QTY) SEE CHART	DISTR CODE <b>D</b>
UNLESS OTHERWISE SPECIFIED THIS DOCUMENT IS IN ACCORDANCE WITH ASME Y14.5M-1994 AS AMENDED BY THE 3M GLOBAL DIMENSIONING AND TOLERANCING ADDENDUM - 1997. ALL GEOMETRIC TOLERANCES AND RELATED DATUMS APPLY RFS. RULE #1 (PERFECT FORM AT MMC) DOES NOT APPLY WHEN RELATIONSHIP BETWEEN FEATURES IS ESTABLISHED BY ORIENTATION OR LOCATION TOLERANCES. SEPARATE POSITION CALLOUTS MAY BE GAGED SEPARATELY, REGARDLESS OF DATUM REFERENCE. ALL DIMENSIONS ARE IN MILLIMETERS	
THIRD ANGLE PROJECTION	
DO NOT SCALE USE MATH DATA	

**DELPHI**

DELPHI PACKARD ELECTRIC SYSTEMS  
WARREN, OH

DR	DATE
APVD1 H. GAMA	12JL99
APVD2 C. MIRANDA	12JL99
APVD3 O. GALLEGOS	14JL99
APVD4	
APVD5	

SUBSTANCES OF CONCERN AND RECYCLED CONTENT PER DELPHI 10949001

MATERIAL  
SEE DWG

DRAWING NAME  
**TAXI CONN M M/P 280**

DRAWING NUMBER  
**12034346**

SIZE	SCALE	FRAME NO	SHEET NO	STG	REV	N/P
A1	2:1	1 OF 1	1 OF 1	R	03	-