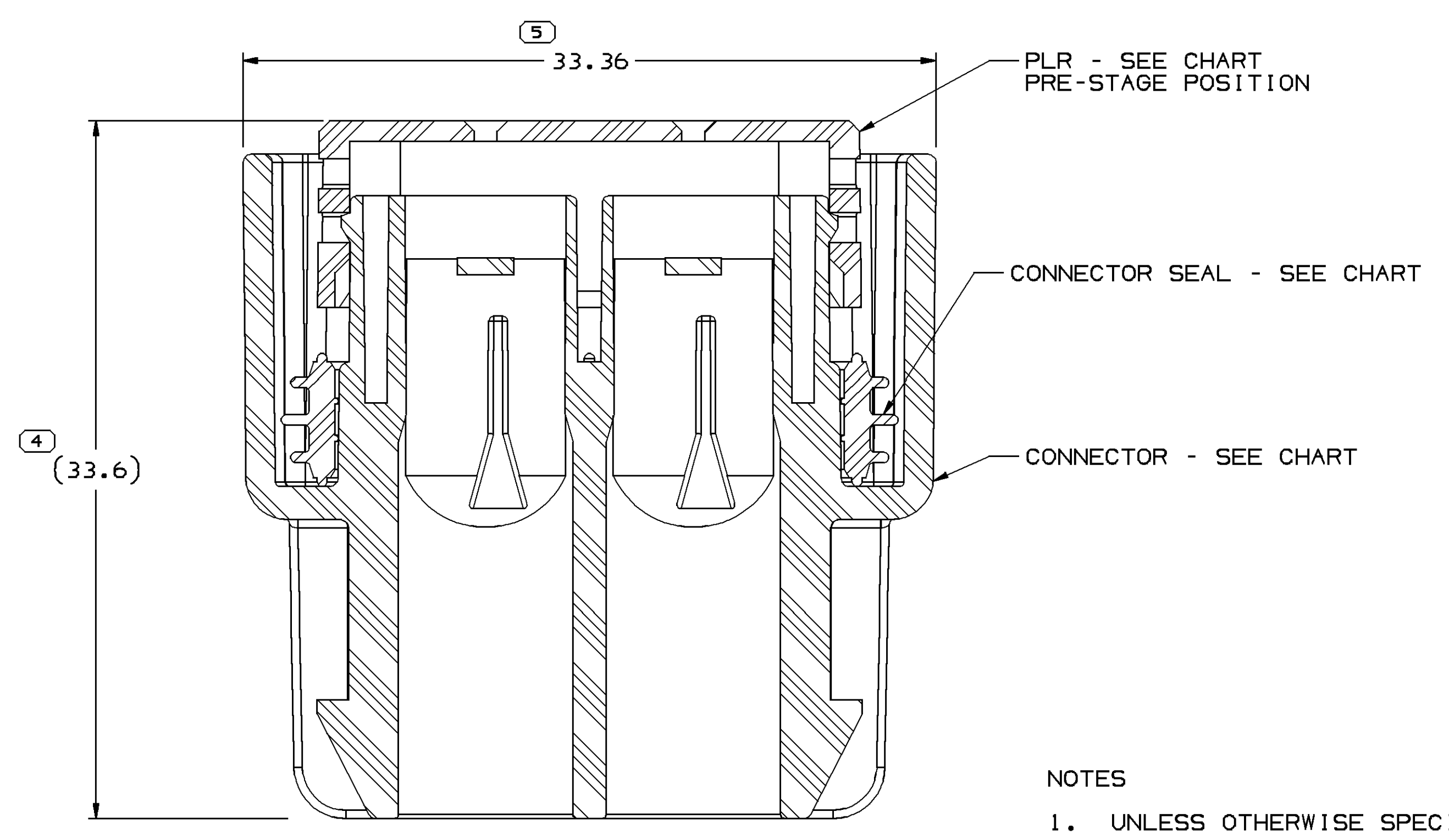
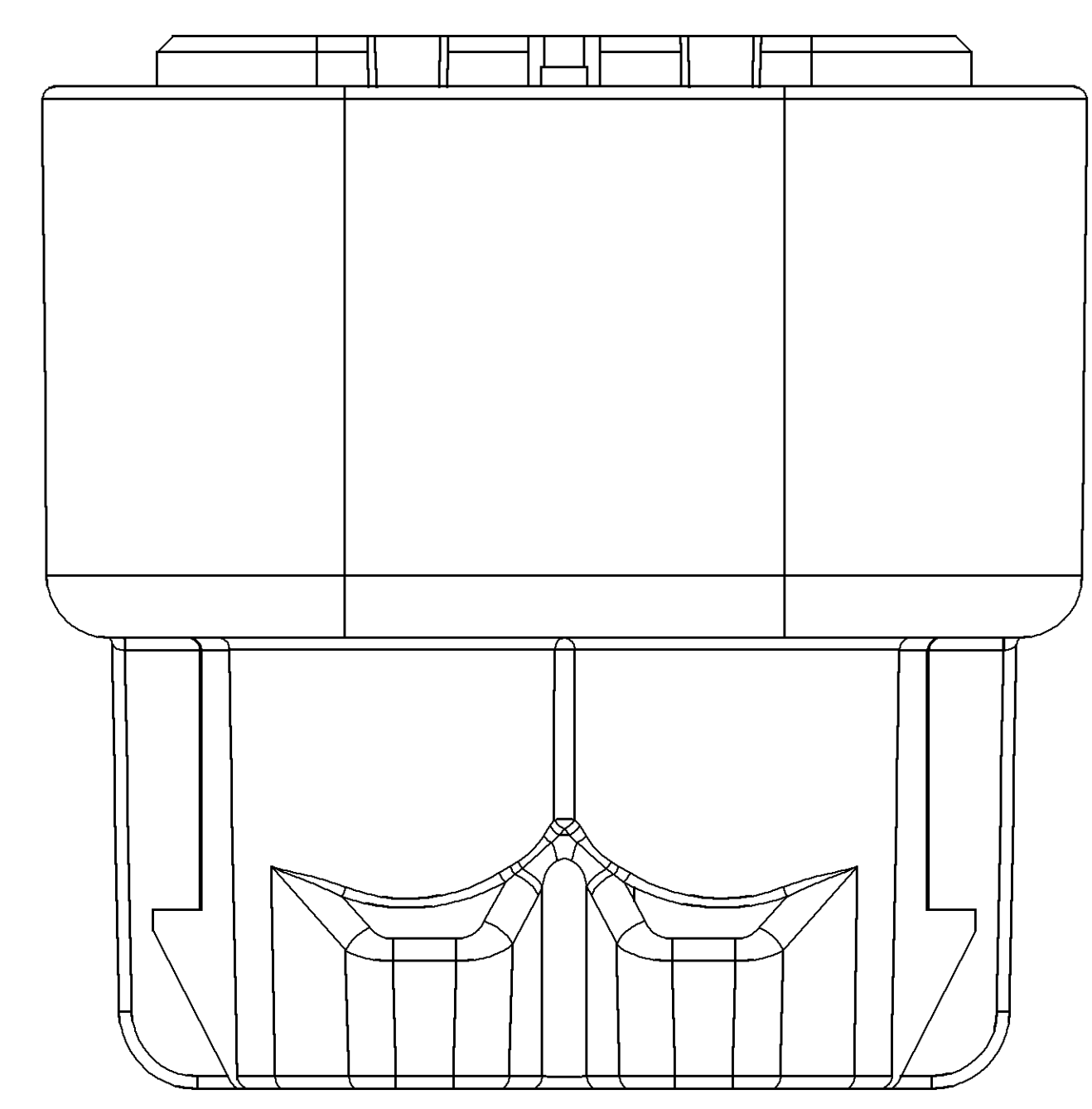
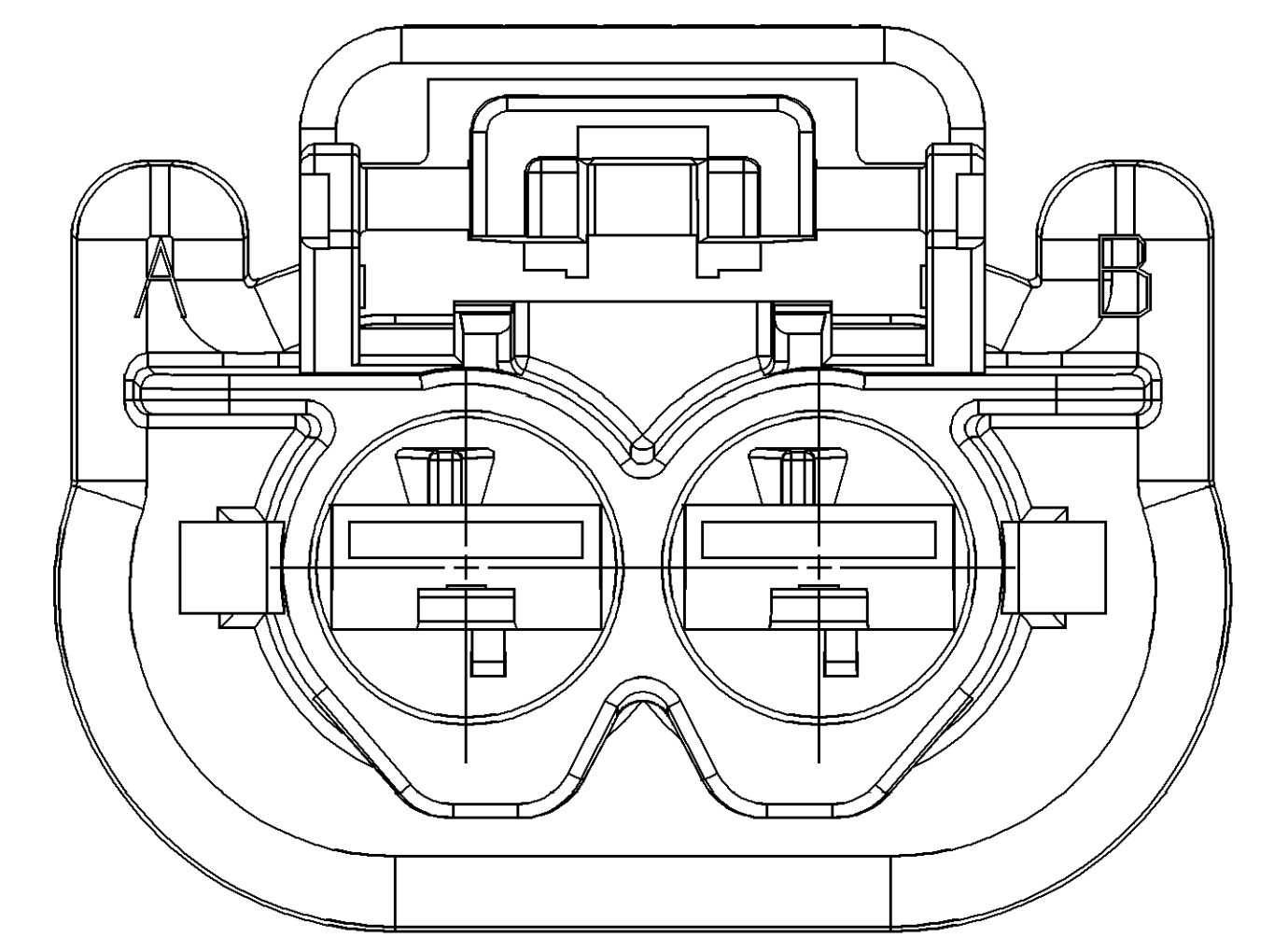
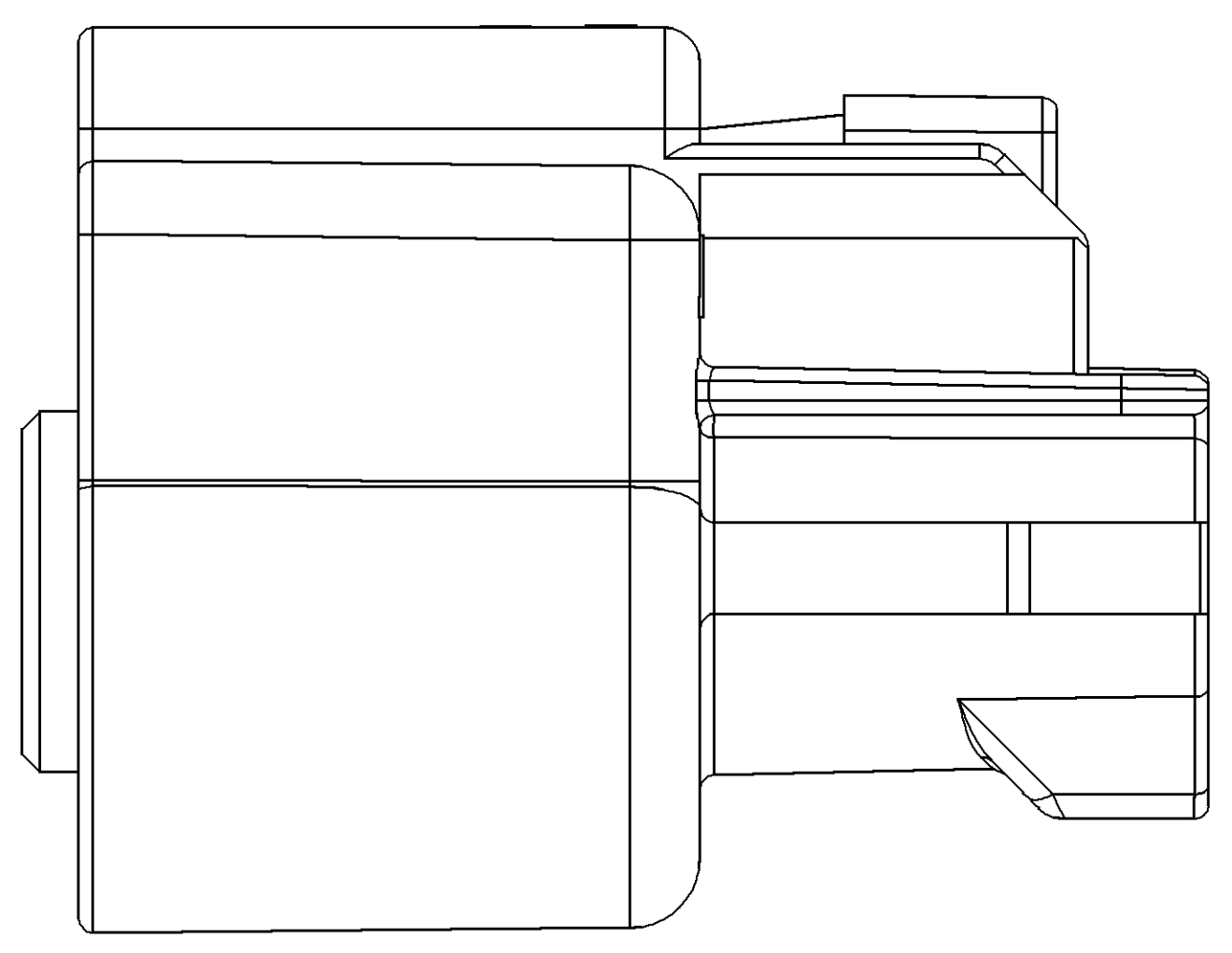
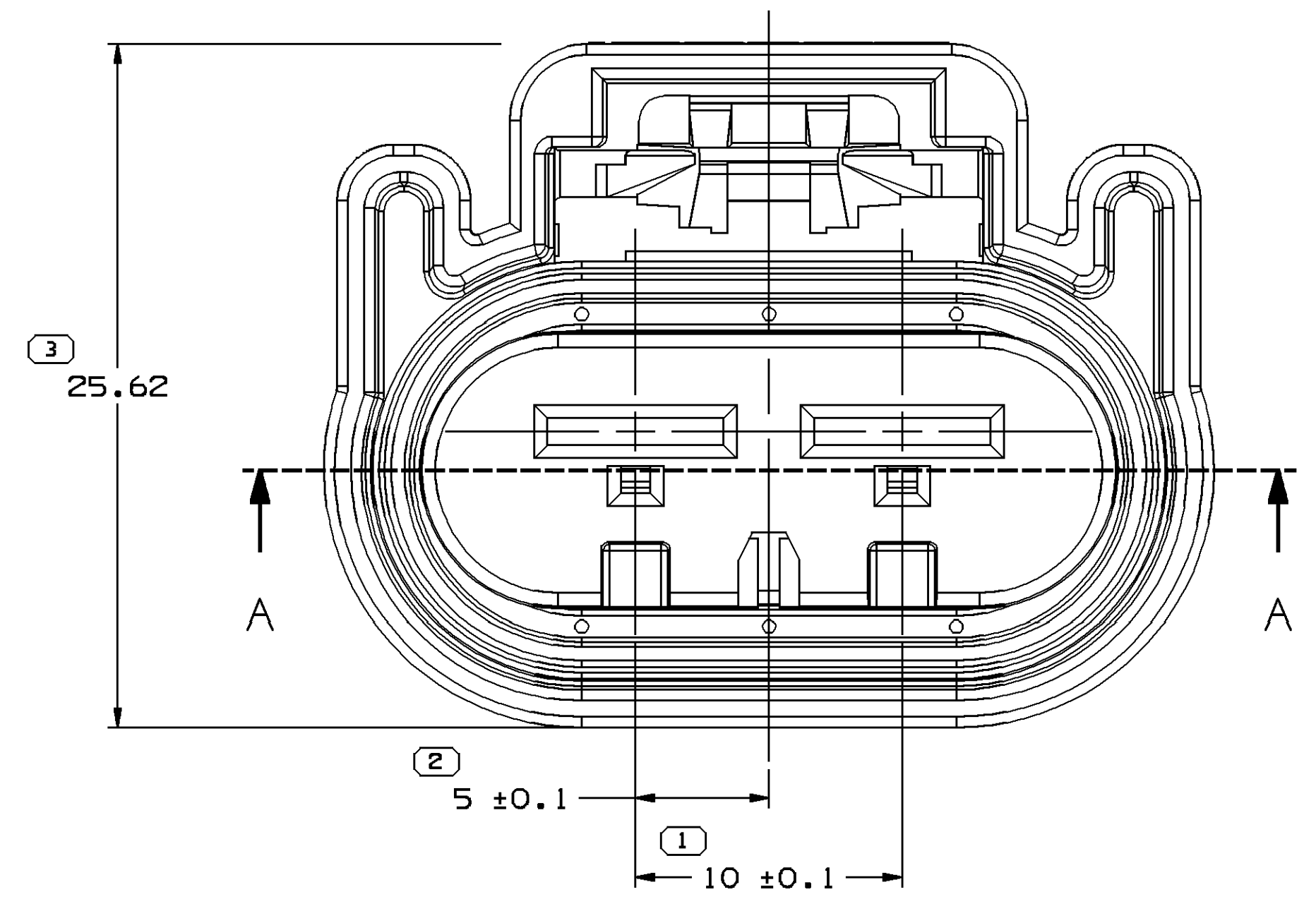
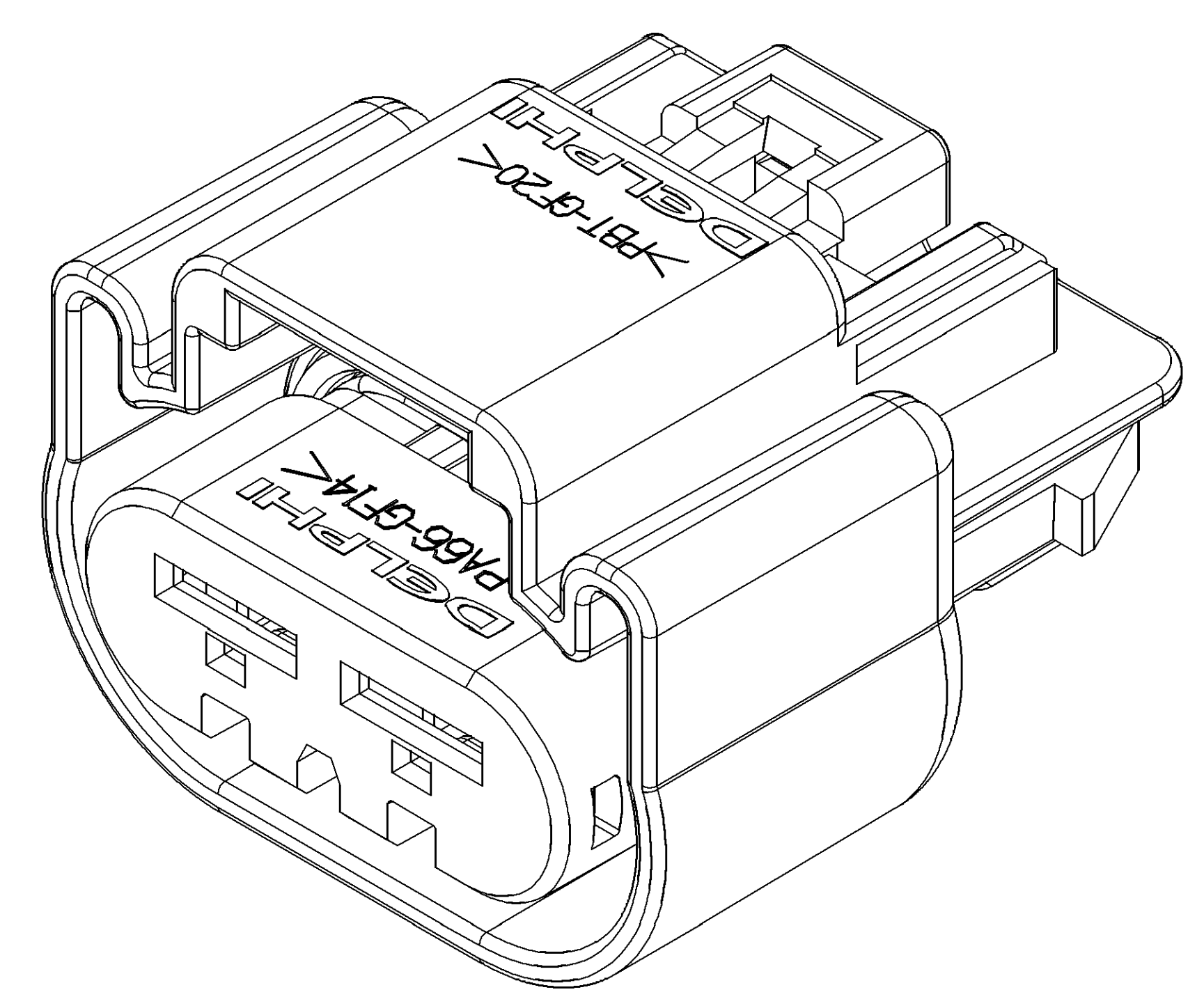
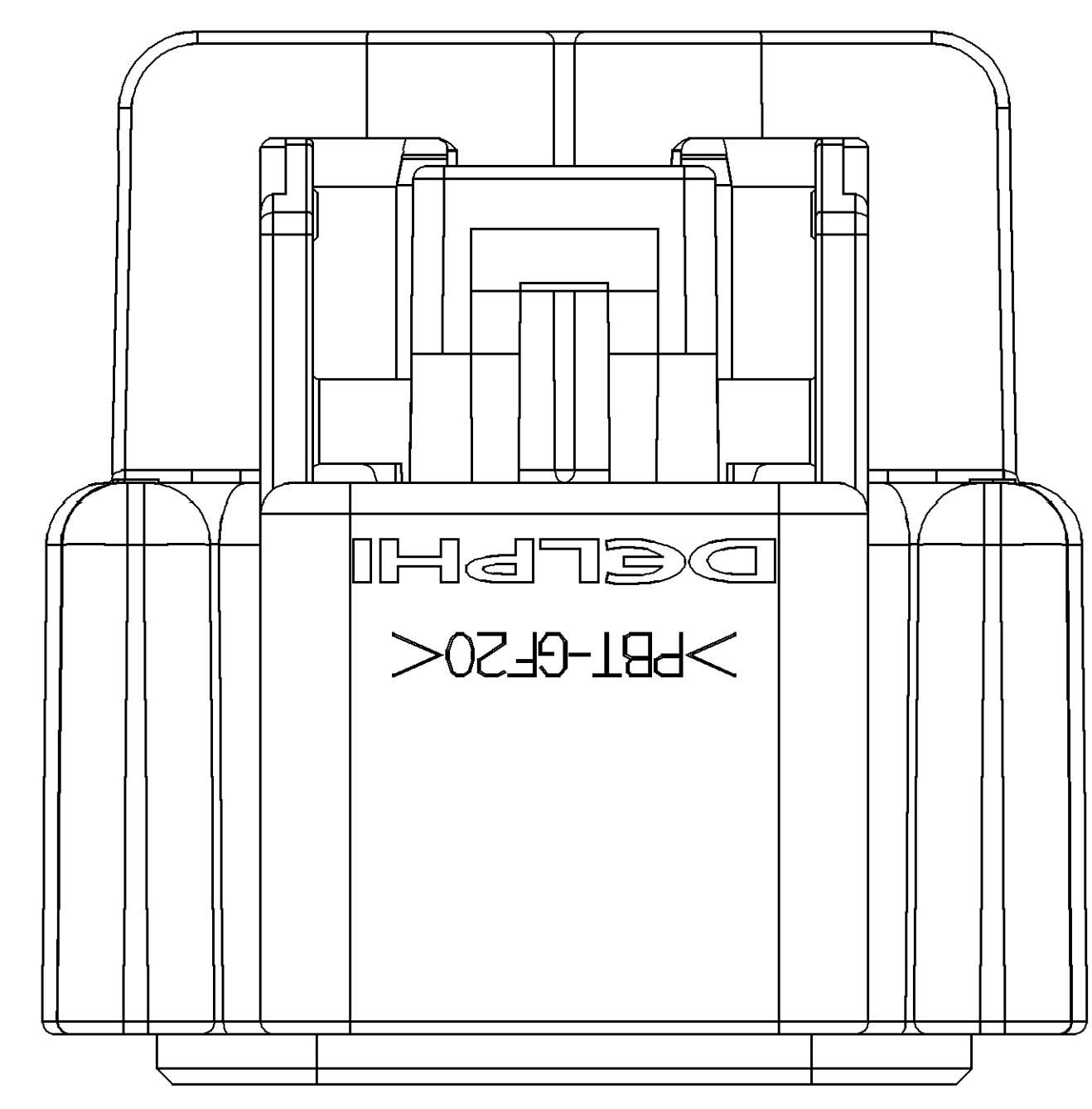


SYMBOL DEFINITION		
A DIMENSION WITHOUT AN INSPECTION REPORT SYMBOL DOES NOT REQUIRE INSPECTION. IT MAY BE CONTROLLED ON THE INDIVIDUAL COMPONENT DRAWING.	TOTAL NO OF INSPECTIONS REQUIRED	5
	LAST NO. USED	5

MISSING SYMBOLS				REVISION HISTORY				AUTH		DR		AP/VD	
DATE	STG	REV	N/P	CHG	ZONE								
31JA03	R	01	-	-		PART DRAWING CREATED	236432	LMB	LMB	EJH			
25JL03	R	02	-	-		UPDATED ASSEMBLY	243926	FRG	FRG	EJH			
02JN05	R	02	AA	-		ADDED NOTES 3 & 4	268709	DAD	DAD	BER			
05OC06	R	02	AB	-		ADDED CPA 15317832 TO NOTE 4	284948	MM	MM	BER			
30OC06	R	02	AC	-		ADDED CABLE SEAL 15324989 TO NOTE #4	286291	J5	J5	BER			



SECTION A - A

- NOTES
- UNLESS OTHERWISE SPECIFIED AND/OR INDICATED: DIMENSIONS ARE TO FACE OF VIEW SHOWN AND AUTOMATICALLY ROUNDED BY COMPUTER FOR INSPECTION (SEE MATH MODEL FOR PRECISE DIMENSIONS). FOR ALL OTHER DIMENSIONS NOT SHOWN BUT REQUIRED FOR TOOL BUILD, SEE MATH MODEL FOR PRECISE TOOL PATH DATA.
 - FOR MATING CONFIGURATION REQUIREMENTS SEE DRAWING 15460099.
 - CONNECTOR ENGAGE FORCE GREATER THAN 75N.
 - THIS PART ACCEPTS THE FOLLOWING COMPONENTS OR EQUIVALENT:
 - TERMINAL 15455571
 - SECONDARY LOCK 15454362
 - CPA 15317832
 - CABLE SEAL 15324989

PART NO	CONN	PLR	SEAL
15454358	15454359	15454361	15454360

DWG TYPE PART DRAWING		DATE 31JA03	
STYLE D	DISTR CODE	DR LOUIS M. BASKIN	DATE 31JA03
UNLESS OTHERWISE SPECIFIED THIS DOCUMENT IS IN ACCORDANCE WITH ASME Y14.5M-1994 AS MODIFIED BY THE IN-SPEC DIMENSIONAL TOLERANCE TOLERANCE ADDENDUM. SEPARATE MATTERS OF REFERENCE.		AP/VD1 LOUIS M. BASKIN	31JA03
ALL DIMENSIONS ARE IN MILLIMETERS		AP/VD2 ERIC J. HAROLDSON	07FE03
THIRD ANGLE PROJECTION		AP/VD3	
DO NOT SCALE		AP/VD4	
USE MATH DATA		AP/VD5	
DIMENSIONAL RANGE (MM)		SUBSTANCES OF CONCERN AND RECYCLED CONTENT PER DELPHI 10949001	
FROM	TO	MATERIAL SEE DRAWING	
> 0	> 30	DRAWING NAME ASM CONN 2 F GT 630 BLK SLD	
> 30	> 70	DRAWING NUMBER 15454358	
> 70	> 100	SCALE 5:1	
> 100	> 150	FRAME NO 1 OF 1	
> 150	> 200	SHEET NO 1 OF 1	
> 200	> 250	REV R 02	
> 250	> 300	AC	
TOLERANCE UNLESS OTHERWISE SPECIFIED			
ANGULAR TOLERANCE 32°			

DELPHI
DELPHI PACKARD ELECTRIC SYSTEMS
WARREN, OH

DR	LOUIS M. BASKIN	DATE	31JA03
AP/VD1	LOUIS M. BASKIN	DATE	31JA03
AP/VD2	LOUIS M. BASKIN	DATE	31JA03
AP/VD3	ERIC J. HAROLDSON	DATE	07FE03
AP/VD4			
AP/VD5			

Date: 01-04-06 Time: 13:27